



CATALOGUE 7.0

TOOLS + EQUIPMENT

MACHINERY | SOFTWARE | TOOLS+EQUIPMENT | SERVICE | FINANCE



A global leader in the stone working industry.



GranQuartz
Canada Inc.

KÖNIG

cdk
CDK STONE
cdkstone.com.au

GranQuartz

cdk
CDK STONE
cdkstone.co.nz

The Diarex Group is a strategic partnership between the leading suppliers of stone processing machinery, tools and equipment from around the globe. Consisting of companies from Australia, Germany, USA, Canada and New Zealand, the Diarex Group works closely together to develop the tools and equipment that will drive the stone working industry. With each company renowned in their respective industries, the Diarex Group aims to provide high quality products that redefine the stone industry globally.

CDK Stone is proud to be associated with the Diarex Group and to be supplying these high quality tools to the Australian market. Through this strategic partnership, CDK Stone is able to offer an exclusive range of premium stone tools and tile tooling. CDK Stone is the industry leader for high quality, reliable stone and tile tools in Australia and New Zealand.

CATALOGUE 7.0

TOOLS + EQUIPMENT

CONTENTS

SECTION 1 / ABRASIVES

Hand Use05
Silicon Carbide Edge Processing06
Surface Texturing08

SECTION 2 / DIAMOND TOOLS

Diamond Polishing12
Polishing23
Small Blades24
Large Blades30
Manual Hand Grinding/Drilling38
Machine Grinding42
Manual Milling/Routing44

SECTION 3 / CHEMICALS

Buffing Compounds46
Adhesives50
Surface Embellishment59
Cleaning, Protection, Maintenance62
Restoration74

SECTION 4 / ADI CNC

Diamond Drills77
Milling Fingers & Router Tips78
Drainboard Tools80
Drainboard Grooving84
Traditional Pre-Cutting Tools85
Ninja Blades86
Zero Chipping Seam Solutions88
About ADI CNC Tools89
Slab Profiles90
Topline Profile Tools94
Fastline Profile Tools98
Twistline Profile Tools105
Micronline Profile Tools111
Nanoline Profile Tools116
UCSLine Profile Tools117
Tool Holders, Adaptors & Consumables121
Vacuum Cups123

CONTENTS (continued)

SECTION 5 / EQUIPMENT

Couplings & Arbors	126
Consumables	131
Handling Equipment	136

SECTION 6 / PERSONAL PROTECTIVE EQUIPMENT

Powered Air Purifying Respirators	156
Reusable Respirators	162
Personal Safety Equipment	164

SECTION 7 / TOOLS

Tile Tools	168
Power Tools	170
Pneumatic Tools	172
Portable Machinery	174

ABRASIVES

SECTION 1

HAND USE	05
SILICON CARBIDE EDGE PROCESSING	06
SURFACE TEXTURING	08

DISCOVER THE COMPLETE SOLUTION WITH CDK STONE

TRIED, TESTED AND TRUSTED

The one partner you need for stone with exclusive and innovative suppliers from around the world. Expand your capabilities and reach your business potential with CDK Stone.



Discover more at
cdkstone.com.au

HAND USE

SAIT SANDING DISC 125MM

Silicon carbide sanding discs for use on Marble & Granite.

PIECES PER BOX 50

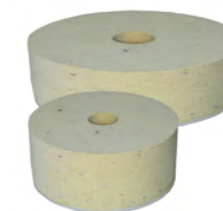
GRIT	CODE
60	SD125V060
120	SD125V120
220	SD125V220
320	SD125V320
400	SD125V400
600	SD125V600
800	SD125V800



SEBALD WHITE FELT PAD

100 x 40mm & 130 x 40mm Compressed Merino felt for polishing Marble and Granite. Ideal for use with Reulin polishing powders. Features a Snail Back fitting.

SIZE	CODE
100mm	G10.FELT
130mm	G13.FELT



SEBALD BROWN FELT PAD

100 x 40mm & 130 x 40mm Coarse grade compressed felt for polishing Granite. Ideal for use with Reulin polishing powders. Features a Snail Back fitting.

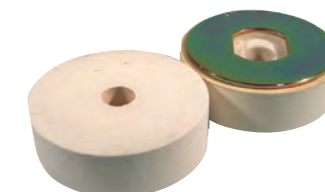
SIZE	CODE
100mm	G10.FELTBR
130mm	G13.FELTBR



SICAREX TORNADO WHITE FELT

100 x 35mm Compressed Merino felt for polishing Marble and Granite. Ideal for use with Reulin polishing powders.

SIZE	CODE
100x35mm	TFELT35



SICAREX TORNADO POLISH

Use with waterfed angle polishers on Granite, Marble, and Engineered Stone surfaces for ultra flat finish. Sicarex-Tornado Grinding/Polishing Stones are fitted with a metal attachment plate for compatibility with Tornado Magnetic Coupling.

PIECES PER BOX 12

GRADE	CODE
36	TSIC.1
120	TSIC.2
280	TSIC.3
400	TSIC.4
600/800	TSIC.5
Polish	TPH



SILICON CARBIDE EDGE PROCESSING

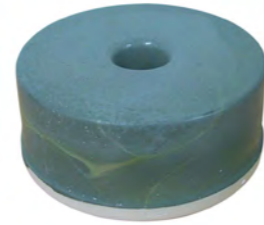


ABRESSA SNAIL BACK 100MM SMALL HOLE

High quality abrasive for wet grinding and polishing radius profiles or bevels on single head or inline polishing machines. Suitable for all materials. Glossex suitable for Granite polishing only.

PIECES PER BOX 40

GRADE	CODE
60	AA100PSH01G
120	AA100PSH02M
220	AA100PSH03M
400	AA100PSH04M
600	AA100PSH06M
800	AA100PSH08M
1000	AA100PSH10P
1200	AA100PSH12P
Glossex	AA100PSHGXM



ABRESSA SNAIL BACK 130MM TRI SEGMENT

High quality abrasive for wet grinding and polishing flat edges on single head or inline polishing machines. Suitable for all materials. Glossex suitable for Granite polishing only.

PIECES PER BOX 24

GRADE	CODE
60	AA1303P01M
120	AA1303P02M
220	AA1303P03M
400	AA1303P04M
800	AA1303P08P
Glossex	AA1303P12P



ABRESSA SNAIL BACK 130MM SMALL HOLE

High quality abrasive for wet grinding and polishing radius profiles or bevels on single head or inline polishing machines. Suitable for all materials. Glossex suitable for Granite polishing only.

PIECES PER BOX 24

GRADE	CODE
60 (Hard)	AA130PSH01G
120 (Hard)	AA130PSH02G
120	AA130PSH02M
220	AA130PSH03M
400	AA130PSH04M
600	AA130PSH06M
800	AA130PSH08M
1000	AA130PSH10M
1200	AA130PSH12M
1200	AA130PSH12P
Glossex	AA130PSHGXM



ABRESSA SNAIL BACK 130MM LARGE HOLE

High quality abrasive for wet grinding, polishing bevels and pencil round profiles on single head or inline polishing machines. Suitable for all materials.

PIECES PER BOX 24

GRADE	CODE
600	AA130SH06M



ABRESSA 100MM TERZAGO

High quality abrasive for wet grinding and polishing on satellite planetary head polishing machines. Suitable for all materials.

PIECES PER BOX 36

GRADE	CODE
60	AA100T01G
120	AA100T02G
220	AA100T03M
400	AA100T04M
800	AA100T08M



ABRESSA 125MM BLOC

High quality abrasive for wet grinding and polishing on satellite planetary head polishing machines. Suitable for all materials.

PIECES PER BOX 36

GRADE	CODE
120	AA125B02G
400	AA125B04M



ABRESSA C140

High quality abrasive for aggressive wet slab grinding and polishing with oscillating (rocking) grinding head. Suitable for Granite and Engineered Stone. Glossex suitable for Granite polishing only.

PIECES PER BOX 24

GRADE	CODE
60	AAC14001G
120	AAC14002G
220	AAC14003M
400	AAC14004M
600	AAC14006M
800	AAC14008M
1200	AAC14012M
Synter	AAC140GXM



ABRESSA FRANKFURT

High quality abrasive for gentle wet surface polishing with Frankfurt plate. Suitable for Marble and soft materials.

PIECES PER BOX 36

GRADE	CODE
60	AAFR01M
120	AAFR02M
220	AAFR03M
400	AAFR04M
500	AAFR05M
600	AAFR06M
Synter	AAFRSYNG



SURFACE TEXTURING

ABRASIVOS ALICANTE AGING BRUSH 120MM SNAIL BACK

Silicon Carbide impregnated nylon brushes used for creating texture in most materials. Diamond impregnated nylon brushes used for creating texture in hard materials.

GRADE	CODE
46	AB.5S.046
60	AB.5S.060
60 Diamond	AB.5S.060D
80	AB.5S.080
120	AB.5S.120
120 Diamond	AB.5S.120D
180	AB.5S.180
240	AB.5S.240
320	AB.5S.320
500	AB.5S.500



ABRASIVOS ALICANTE AGING BRUSH FRANKFURT

Silicon Carbide impregnated nylon brushes used for creating texture in a range of materials.

GRADE	CODE
36	AB.FR.036
46	AB.FR.046
60	AB.FR.060
80	AB.FR.080
120	AB.FR.120
240	AB.FR.240
320	AB.FR.320
500	AB.FR.500



ABRASIVOS ALICANTE 140MM SECTOR

Diamond impregnated nylon brushes used for creating texture in hard materials with oscillating (rocking) grinding heads.

GRADE	CODE
60 Diamond	AB.140.060D
120 Diamond	AB.140.120D



IFLEX 130MM SNAIL BACK DIAMOND

Flexible diamond abrasive designed to create new textures such as "Leather", "Caress", "Silk", "Antic", "Satin", "Lapped" and "Honed" effects as well as polished finish and high gloss.

GRADE	CODE
16	IF.5S.0016
36	IF.5S.0036
46	IF.5S.0046
60	IF.5S.0060
120	IF.5S.0120
220	IF.5S.0220



DIA FLASH DIAMOND BRUSH WITH M14 AND VELCRO

For wet use on Granite and Engineered Stone to create surface textures as part of the Diamaster Surface System.

GRADE	CODE
36	DFB.4V.D036A
60	DFB.4V.D060A
120	DFB.4V.D120A



FABRON SPONGE ABRASIVE VELCO BACKED 100MM

For wet use on all material types to create honed finish as part of Diamaster Surface System. Used to increase gloss without significantly changing texture.

GRADE	CODE
120	DF.4V.C120
220	DF.4V.C220
240	DF.4V.A240



PUMICE HONING SECTOR 140MM

Removes machining marks/swirls from honed surfaces. Pumice-Hones can be used after a conventional machining process of the same grade. Must be used with a sufficient amount of water and light pressure.

GRADE	CODE
320	PH.140.320



PUMICE HONING WHEEL 120MM

Removes machining marks/swirls from honed surfaces. Pumice-Hones can be used after a conventional machining process of the same grade. Must be used with a sufficient amount of water and light pressure.

GRADE	CODE
180	PHS.5S.180
320	PHS.5S.320
600	PHS.5S.600

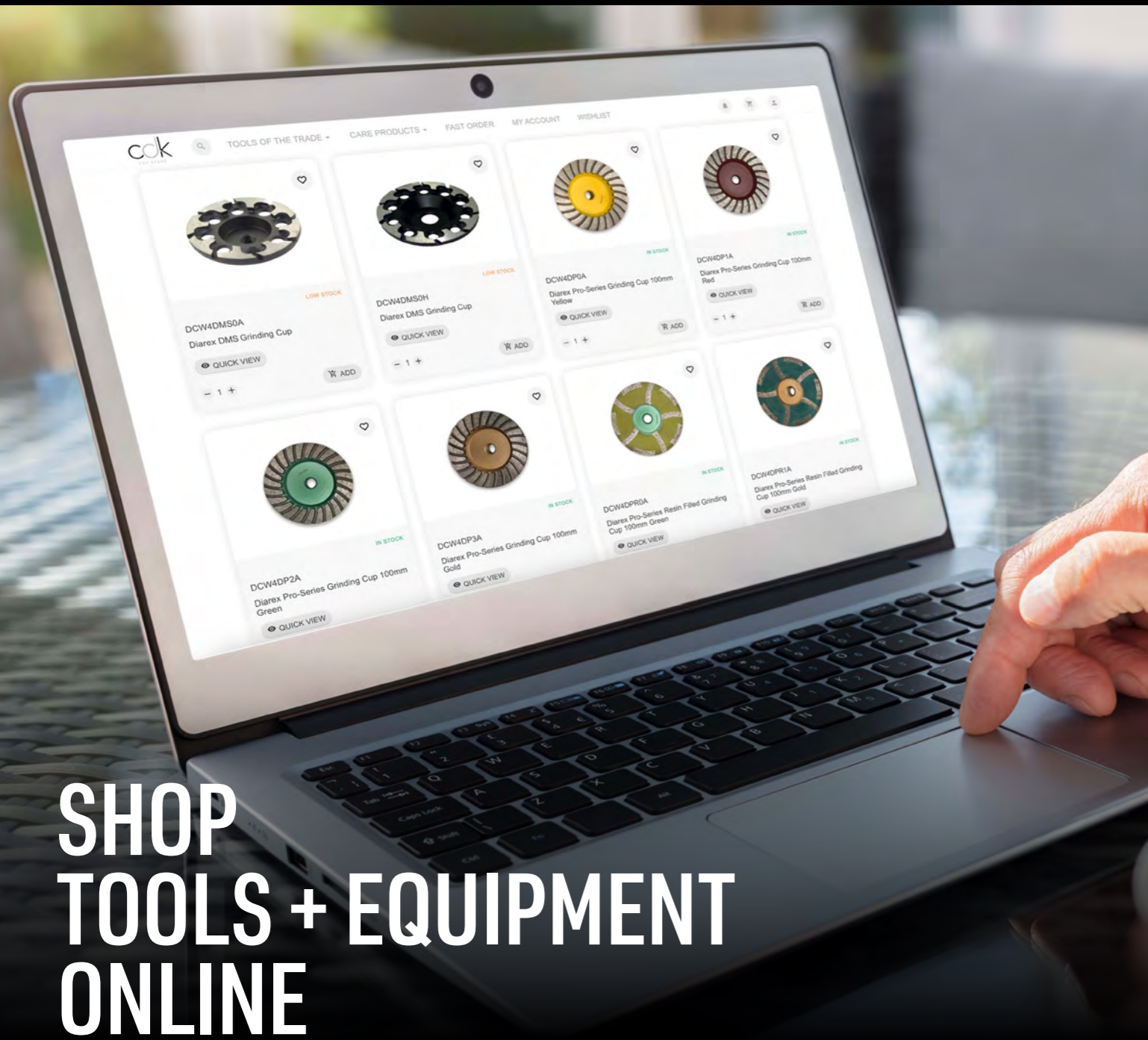


PUMICE HONING FRANKFURT

Removes machining marks/swirls from honed surfaces. Pumice-Hones can be used after a conventional machining process of the same grade. Must be used with a sufficient amount of water and light pressure.

GRADE	CODE
180	PHS.FR.180
320	PHS.FR.320
600	PHS.FR.600





SHOP TOOLS + EQUIPMENT ONLINE

The CDK Stone Online Store will support your business with greater access to our product range.

CDK Stone sources the highest quality equipment to make your job efficient and effective. You can now shop our comprehensive range of high-quality, value-for-money tools & products easily online via our customer only online portal.

Technical knowledge, guidance and support will still be provided by your dedicated CDK Stone Sales Representative to help you optimise your productivity and profitability.



Discover more at
cdkstone.com.au

DIAMOND TOOLS

SECTION 2

DIAMOND POLISHING	12
POLISHING	23
SMALL BLADES	24
LARGE BLADES	30
MANUAL HAND GRINDING / DRILLING ..	38
MACHINE GRINDING	42
MANUAL MILLING / ROUTING	44

	BK PAD	DIAFLEX	DIAMASTER COPPER	DIAMASTER FLEXIBLE	DIAMASTER PRO	ELITE	HEX CONCRETE	ICE	ICE 3	NINJA FLAP DISKS	OCTRON	SPEED SPONGE	WHITE	XPRESS
GRANITE	Works Well	Works Well	Works Well	Works Well	Works Well	Works Well	Works Well	Works Well	Works Well	Works Well	Works Well	Works Well	Works Well	Works Well
MARBLE	Works Well	Works Well	Works Well	Works Well	Works Well	Works Well	Works Well	Works Well	Works Well	Works Well	Works Well	Works Well	Works Well	Works Well
QUARTZITE	Works Well	Works Well	Works Well	Works Well	Works Well	Works Well	Works Well	Works Well	Works Well	Works Well	Works Well	Works Well	Works Well	Works Well
ENGINEERED	Works Well	Works Well	Works Well	Works Well	Works Well	Works Well	Works Well	Works Well	Works Well	Works Well	Works Well	Works Well	Works Well	Works Well
NEW GEN ENGINEERED	Works Well	Works Well	Works Well	Works Well	Works Well	Works Well	Works Well	Works Well	Works Well	Works Well	Works Well	Works Well	Works Well	Works Well
PORCELAIN	Works Well	Works Well	Works Well	Works Well	Works Well	Works Well	Works Well	Works Well	Works Well	Works Well	Works Well	Works Well	Works Well	Works Well
CERAMIC	Works Well	Works Well	Works Well	Works Well	Works Well	Works Well	Works Well	Works Well	Works Well	Works Well	Works Well	Works Well	Works Well	Works Well
CONCRETE	Works Well	Works Well	Works Well	Works Well	Works Well	Works Well	Works Well	Works Well	Works Well	Works Well	Works Well	Works Well	Works Well	Works Well
GLASS	Works Well	Works Well	Works Well	Works Well	Works Well	Works Well	Works Well	Works Well	Works Well	Works Well	Works Well	Works Well	Works Well	Works Well
STONEWARE	Works Well	Works Well	Works Well	Works Well	Works Well	Works Well	Works Well	Works Well	Works Well	Works Well	Works Well	Works Well	Works Well	Works Well

Blade material usage key: Not Recommended Suitable Works Well Works Very Well

Please note all recommendations are a guide only. Performance will vary depending on material. Always perform a test if unsure.

ALPHA®

PREMIUM QUALITY PNEUMATIC POLISHERS

ALPHA AIR 834 PNEUMATIC POLISHER

THE ALPHA AIR 834 IS A PROFESSIONAL-GRADE PNEUMATIC POLISHER ENGINEERED WITH PRECISION & PERFORMANCE IN MIND.

EQUIPPED WITH ADVANCED TECHNOLOGY, THE ALPHA AIR 834 DELIVERS REMARKABLE POWER AND SPEED, ENSURING EFFICIENT AND EFFECTIVE POLISHING ON VARIOUS SURFACES. IT'S ERGONOMIC DESIGN PROVIDES A COMFORTABLE GRIP, ALLOWING YOU TO MANEUVER EFFORTLESSLY AND MAINTAIN CONTROL.

THE ALPHA AIR 834 FEATURES A SLOWER 4000RPM WHICH PROVIDES MORE TORQUE ALLOWING FOR PRECISE, QUALITY RESULTS.



MAX DISC DIAMETER	SPINDLE SPEED	SPINDLE THREAD	AIR PRESSURE	CODE
130mm	4000rpm	M14	85psi	AIR-834

ALPHA AIR 854 PNEUMATIC POLISHER

THE ALPHA AIR 854 IS A PROFESSIONAL-GRADE PNEUMATIC POLISHER ENGINEERED WITH SPEED & RELIABILITY IN MIND.

EQUIPPED WITH ADVANCED TECHNOLOGY, THE ALPHA AIR 854 DELIVERS REMARKABLE EFFICIENCY AND POWER, ENSURING FAST, QUALITY POLISHING ON VARIOUS SURFACES. IT'S ERGONOMIC DESIGN PROVIDES A COMFORTABLE GRIP, ALLOWING YOU TO MANOEUVRE EFFORTLESSLY AND MAINTAIN CONTROL.

THE ALPHA AIR 854 FEATURES A HIGHER 5500RPM WHICH PROVIDES LOWER TORQUE ALLOWING FOR INCREASED PRODUCTIVITY.



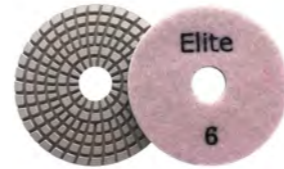
MAX DISC DIAMETER	SPINDLE SPEED	SPINDLE THREAD	AIR PRESSURE	CODE
130mm	5500rpm	M14	85psi	AIR-854

DIAMOND POLISHING

DIAREX ELITE POLISHING DISC 75MM

Achieve top-quality polishing on Marble, Granite, and Engineered Stone with Elite's 6 step diamond polishing pads. Made with high quality diamonds and non-marking resin, use with integrated water or effective on tool extraction system for best results.

POSITION	COLOUR	CODE
1	Red	DE.3V.1
2	Yellow	DE.3V.2
3	Blue	DE.3V.3
4	Green	DE.3V.4
5	Orange	DE.3V.5
6	Pink	DE.3V.6



DIAREX ELITE POLISHING DISC 100MM

Achieve top-quality polishing on Marble, Granite, and Engineered Stone with Elite's 6 step diamond polishing pads. Made with high quality diamonds and non-marking resin, use with integrated water or effective on tool extraction system for best results.

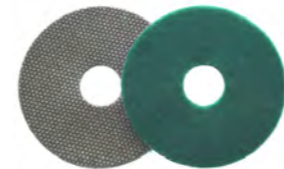
POSITION	COLOUR	CODE
1	Red	DE.4V.1
2	Yellow	DE.4V.2
3	Blue	DE.4V.3
4	Green	DE.4V.4
5	Orange	DE.4V.5
6	Pink	DE.4V.6



DIAREX DIAFLEX POLISHING DISC 100MM

Achieve a high gloss finish on Marble, Granite, Engineered Stone, Glass, Ceramics and Porcelain with Diaflex wet-use polishing disks. Made with electroplated diamond grit for durability and consistency.

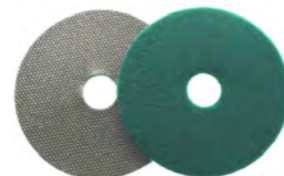
GRADE	COLOUR	CODE
60 Metal	Green	DFD100VM0060
120 Metal	Black	DFD100VM0120
200 Metal	Red	DFD100VM0200
400 Metal	Yellow	DFD100VM0400
800 Metal	Silver	DFD100VM0800
1800 Metal	Blue	DFD100VM1800
800 Resin	White	DFD100VR0800
1800 Resin	Blue	DFD100VR1800
3000 Resin	Orange	DFD100VR3000



DIAREX DIAFLEX POLISHING DISC 125MM

Achieve a high gloss finish on Marble, Granite, Engineered Stone, Glass, Ceramics and Porcelain with Diaflex wet-use polishing disks. Made with electroplated diamond grit for durability and consistency.

POSITION	COLOUR	CODE
60 Metal	Green	DFD125VM0060
120 Metal	Black	DFD125VM0120
200 Metal	Red	DFD125VM0200
400 Metal	Yellow	DFD125VM0400
800 Metal	Silver	DFD125VM0800
1800 Metal	Blue	DFD125VM1800
800 Resin	White	DFD125VR0800
1800 Resin	Blue	DFD125VR1800
3000 Resin	Orange	DFD125VR3000



DIAREX®

DIAREX HEX CONCRETE PAD 100MM

Achieve a high gloss finish on concrete with white resin diamond polishing pads. Made with high quality diamonds and a non-marking resin, these pads are designed use with integrated water or effective on tool extraction system for best results.

PIECES PER BOX 10

GRADE	COLOUR	CODE
30	Dark Green	DH.4V.0030
50	Light Green	DH.4V.0050
100	Red	DH.4V.0100
200	Yellow	DH.4V.0200
400	Blue	DH.4V.0400
800	Olive Green	DH.4V.0800
1500	Orange	DH.4V.1500
3000	Pink	DH.4V.3000
5000	Black	DH.4V.5000



DIAREX ICE POLISHING DISC 100MM

Excellent value for money, Diarex Ice white resin diamond polishing tools. Suitable for polishing Marble, Granite, Engineered Stone, Glass, Ceramics and Porcelain, these high quality tools are designed for use with water to achieve a high gloss finish.

PIECES PER BOX 10

GRADE	COLOUR	CODE
50	Brown	DI.4V.0050
100	Red	DI.4V.0100
200	Orange	DI.4V.0200
400	Yellow	DI.4V.0400
800	Green	DI.4V.0800
1500	Blue	DI.4V.1500
3000	Purple	DI.4V.3000



DIAREX ICE 3 POLISHING DISC 100MM

Achieve a high gloss finish on Marble, Granite, Engineered Stone, Glass, Ceramics and Porcelain with Diarex Ice 3 step white resin diamond polishing tools. Designed for easy use with water, these tools offer excellent value for money and are perfect for achieving a professional-grade finish. The 3 step process includes coarse, medium, and fine grit pads to achieve a flawless, polished surface.

POSITION	COLOUR	CODE
1	Brown	DI3.4V.1
2	Yellow	DI3.4V.2
3	Purple	DI3.4V.3



DIAREX OCTRON POLISHING DISC 100MM

For wet use on Granite, Marble and Engineered stone. Especially suited to repolishing or re-honing procedures. Medium flexibility for intricate shapes.

PIECES PER BOX 10

GRADE	COLOUR	CODE
80	Dark Blue	DO.4V.0080
200	Orange	DO.4V.0200
400	Red	DO.4V.0400
800	Green	DO.4V.0800
1500	Light Blue	DO.4V.1500
3000	Brown	DO.4V.3000
6000	Black	DO.4V.6000



DIAMOND POLISHING

DIAREX CONVEX POLISHING DISC 75MM

High quality resin polishing pads with a convex shape, making it easy to polish curved surfaces to a professional, high gloss finish. For wet use, these pads offer consistent & reliable performance for both professionals and DIY enthusiasts.

PIECES PER BOX 10

GRIT	COLOUR	CODE
3000	Red	DKC.3V.3000



DIAREX DIA FLASH BD 100MM

Premium quality polishing pad for wet use on all material types. Suitable for edge and surface polishing. Especially suitable for ultra hard materials such as Quartzite and Ceramics.

GRIT	CODE
30	DBD.4V.0030
50	DBD.4V.0050
100	DBD.4V.0100
200	DBD.4V.0200
400	DBD.4V.0400
800	DBD.4V.0800
1500	DBD.4V.1500
3000	DBD.4V.3000



DIAREX DIA FLASH BD 125MM

Premium quality polishing pad for wet use on all material types. Suitable for edge and surface polishing. Especially suitable for ultra hard materials such as Quartzite and Ceramics.

GRIT	CODE
500	DBD.5V.0050
100	DBD.5V.0100
200	DBD.5V.0200
400	DBD.5V.0400
800	DBD.5V.0800
1500	DBD.5V.1500
3000	DBD.5V.3000



DIAREX DIAMASTER PRO POLISHING DISC 100MM

Premium quality polishing pad with specialist performance on Granites and Porcelain.

GRADE	COLOUR	CODE
50	Dark Green	DP.4V.0050
100	Black	DP.4V.0050
200	Red	DP.4V.0050
400	Yellow	DP.4V.0050
800	Grey	DP.4V.0050
1500	Blue	DP.4V.0050
3000	Orange	DP.4V.0050
BUFF	Black	DP.4V.BUFF



DIAREX DIAMASTER FLEXIBLE POLISHING DISC 100MM

Premium quality and specialist performance on Granites.

PIECES PER BOX 10

GRADE	COLOUR	CODE
40	White	DM.4V.0040
100	Yellow	DM.4V.0100
200	Orange	DM.4V.0200
400	Red	DM.4V.0400
800	Dark Green	DM.4V.0800
1500	Light Green	DM.4V.1500
3000	Brown	DM.4V.3000
BUFF	Black	DM.4V.BUFF



DIAREX DIAMASTER FLEXIBLE POLISHING DISC 125MM

Premium quality and specialist performance on Granites.

PIECES PER BOX 10

GRADE	COLOUR	CODE
40	White	DM.5V.0040
100	Yellow	DM.5V.0100
200	Orange	DM.5V.0200
400	Red	DM.5V.0400
800	Dark Green	DM.5V.0800
1500	Light Green	DM.5V.1500
3000	Brown	DM.5V.3000

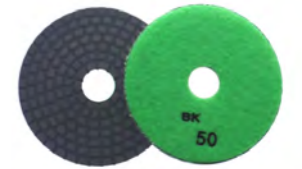


DIAREX DARK BK POLISHING DISC 100MM

High quality resin polishing pads for achieving a professional-grade, high gloss finish on natural stone surfaces. Designed for wet use, these durable pads deliver consistent and reliable performance for both professional contractors and DIY enthusiasts.

PIECES PER BOX 10

GRADE	COLOUR	CODE
50	Green	DK.4V.0050
100	White	DK.4V.0100
200	Yellow	DK.4V.0200
400	Blue	DK.4V.0400
800	Orange	DK.4V.0800
1500	Dark Green	DK.4V.1500
3000	Red	DK.4V.3000
BUFF	Black	DK.4V.BUFF

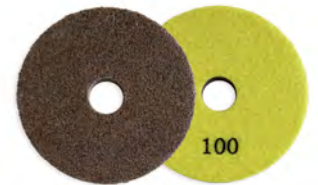


DIAREX SPEED SPONGE 100MM

Designed for polishing or honing Quartzite and other hard materials with water, this compressed fiber material allows for easy work and outstanding results on even the hardest surfaces.

PIECES PER BOX 10

GRADE	COLOUR	CODE
100	Yellow	DSS.4V.0100
200	Orange	DSS.4V.0200
400	Red	DSS.4V.0400
800	Green	DSS.4V.0800
1500	Blue	DSS.4V.1500
3000	Light Green	DSS.4V.3000



DIAREX DIAMASTER COPPER BOND 100MM

These flexible diamond grinding pad with metal bond deliver an extremely aggressive grinding behaviour on natural and engineered stone, making it easy to achieve a professional-grade finish. Ideal for concave and convex surfaces, these pads offer a very long service life, making them a reliable choice for professionals.

PIECES PER BOX 10

GRADE	COLOUR	CODE
30	White	DM.4V.M030
50	White	DM.4V.M050
70	White	DM.4V.M070
120	White	DM.4V.M120
200	White	DM.4V.M200
400	White	DM.4V.M400



DIAREX WHITE POLISHING PAD 75MM

Diarex White polishing pads are made with the highest quality materials for achieving a fast and high quality finish on Engineered Stone surfaces. With a non-marking resin and designed for wet use only, these polishing pads are perfect for achieving outstanding results.

PIECES PER BOX 10

GRADE	COLOUR	CODE
100	White	DW.3V.0100
200	Yellow	DW.3V.0200
400	Light Blue	DW.3V.0400
800	Orange	DW.3V.0800
1500	Green	DW.3V.1500
3000	Red	DW.3V.3000



DIAMOND POLISHING

DIAREX WHITE POLISHING PAD 100MM

Diarex White polishing pads are made with the highest quality materials for achieving a fast and high quality finish on Engineered Stone surfaces. With a non-marking resin designed for wet use only, these polishing pads are perfect for achieving outstanding results.

PIECES PER BOX 10

GRADE	COLOUR	CODE
50	Green	DW.4V.0050
100	White	DW.4V.0100
200	Yellow	DW.4V.0200
400	Blue	DW.4V.0400
800	Orange	DW.4V.0800
1500	Dark Green	DW.4V.1500
3000	Red	DW.4V.3000



DIAREX WHITE POLISHING PAD 125MM

Diarex White polishing pads are made with the highest quality materials for achieving a fast and high quality finish on Engineered Stone surfaces. With a non-marking resin designed for wet use only, these polishing pads are perfect for achieving outstanding results.

PIECES PER BOX 10

GRADE	COLOUR	CODE
50	Light Green	DW.5V.0050
100	White	DW.5V.0100
200	Yellow	DW.5V.0200
400	Blue	DW.5V.0400
800	Orange	DW.5V.0800
1000	White	DW.5V.1000
1500	Green	DW.5V.1500
3000	Red	DW.5V.3000
BUFF	Black	DW.5V.BUFF



DIAREX XPRESS POLISHING DISC 100MM

3 Step Polishing for wet use on Marble, Granite and Engineered Stone.

PIECES PER BOX 10

POSITION	COLOUR	CODE
1	Red	DX.4V.1
2	Blue	DX.4V.2
3	Orange	DX.4V.3



DIAREX SET OF 3 XPRESS PADS

3 Step Polishing for wet use on Marble, Granite and Engineered Stone.

POSITION	CODE
1, 2, and 3	DX.4V.SET



DIAREX DIAFLEX HAND PAD 90x55MM

For wet hand use on Granite, Marble, Engineered Stone, Glass, Ceramics and Porcelain.

GRADE	COLOUR	CODE
60 Metal	Green	DFHP90M0060
120 Metal	Black	DFHP90M0120
200 Metal	Red	DFHP90M0200
400 Metal	Yellow	DFHP90M0400
800 Metal	Silver	DFHP90M0800
1800 Metal	Blue	DFHP90M1800
800 Resin	White	DFHP90R0800
1800 Resin	Blue	DFHP90R1800
3000 Resin	Orange	DFHP90R3000



DIAREX®

DIAREX DIAFLEX POLISHING SHEET SELF ADHESIVE

For wet use on Granite, Marble, Engineered Stone, Glass, Ceramics and Porcelain.

GRADE	COLOUR	CODE
60 Metal	Green	DFS75/75.0
120 Metal	Black	DFS75/75.1
200 Metal	Red	DFS75/75.2
400 Metal	Yellow	DFS75/75.3
800 Resin	Silver	DFS75/75.4
1800 Resin	Blue	DFS75/75.5
3000 Resin	Orange	DFS75/75.6



DIAREX DIAFLEX POLISHING BELT D75x38MM

For wet use on Granite, Marble and Engineered Stone. Maximum 5000rpm.

GRADE	COLOUR	CODE
60 Metal	Green	DFB075SM0060
120 Metal	Black	DFB075SM0120
200 Metal	Red	DFB075SM0200
400 Metal	Yellow	DFB075SM0400
800 Metal	Silver	DFB075SM0800
1800 Metal	Blue	DFB075SM1800
800 Resin	White	DFB075SR0800



DIAREX HYBRID POLISHING DRUM 20MM

Special tools for wet polishing small radius cut-outs on Engineered Stone, Marble and Granite.

GRADE	CODE
200	DWD020.0200
400	DWD020.0400
800	DWD020.0800
1500	DWD020.1500
3000	DWD020.3000
ADAPTER	DWD020.ADA



SANWA KENMA TWINCUR EG2 125MM

For wet use. Premium quality edge polishing wheel provides excellent finish on most material types. Suited to edge polishing machines that work on a wide variety of materials.

GRIT	CODE
50	TC.5S.0050
100	TC.5S.0100
200	TC.5S.0200
500	TC.5S.0500
1000	TC.5S.1000
2000	TC.5S.2000
3000	TC.5S.3000
BUFF	TC.5S.BUFF



ADI SHINING EDGE WHEEL

For polishing flat edges on Engineered Stone, Granite and Marble on edge processing machines. Long life and high performance. 130mm Snailback.

GRIT	CODE
60	PA43330
80	PA43321
120	PA43322
220	PA43323
320	PA43324
400	PA43325
600	PA43326
800	PA43327

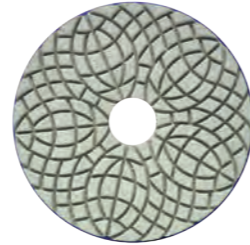


DIAMOND POLISHING

DIAREX SUPER HYBRID POLISHING DISC 100MM SNAILBACK

For polishing flat edges on Granite, Engineered Stone and Marble on edge processing machines.

POS	CODE
1	DKH.4S.1
2	DKH.4S.2
3	DKH.4S.3
4	DKH.4S.4
5	DKH.4S.5
6	DKH.4S.6



DIAREX SUPER WHITE CUSHIONED POLISHING DISC 130MM SNAILBACK

For polishing flat edges on Engineered Stone, Granite and Marble on edge processing machines. With rubber insert.

GRADE	CODE
50	DSW.5S.0050R
100	DSW.5S.0100R
200	DSW.5S.0200R
400	DSW.5S.0400R
800	DSW.5S.0800R
1500	DSW.5S.1500R
3000	DSW.5S.3000R
BUFF	DSW.5S.BUFFR



DIAREX CHAMFER WHEEL

Diarex Chamfer Wheels are special rigid tools designed for achieving accurate chamfers on edge polishing machines. With snail lock fitting and a 125mm diameter, these wheels are easy to attach and use for precise and consistent results on natural stone surfaces.

GRADE	CODE
800	DA.5S.0800
1200	DA.5S.1200



ABRESSA DIAMLOX FRANKFURT

Resin-bonded Diamond Frankfurts for polishing Granite, Marble and Engineered Stone.

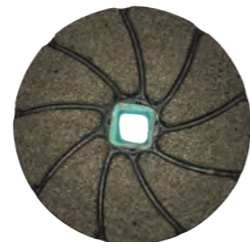
GRADE	CODE
60	AD.FF.01G
120	AD.FF.02Y
220	AD.FF.03Y
400	AD.FF.04Y
600	AD.FF.06Y
800	AD.FF.08Y
1200	AD.FF.12Y



ABRESSA DIAMLOX POLISHING DISC 130MM

For polishing flat edges on Engineered Stone, Granite and Marble on edge processing machines.

GRADE	CODE
60	AD.5SF.01Y
120	AD.5SF.02Y
400	AD.5SF.04Y
600	AD.5SF.06Y
1200	AD.5SF.12Y



BK DIAMOND METAL BOND 250MM PLATE

The BK Diamond metal bond polishing plate for radial arm polishers. This plate is specifically designed for efficient and effective surface polishing on natural stone surfaces.

GRADE	CODE
50	BK10MB0050
100	BK10MB0100
200	BK10MB0200
400	BK10MB0400



BK DIAMOND RESIN BOND 250MM PLATE

The resin bond plate provides a smooth and consistent polishing action that is ideal for achieving a mirror-like shine on granite benchtops and other natural stone surfaces.

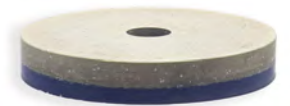
GRADE	CODE
400	BK10R0400
800	BK10R0800
3000	BK10R3000



BURGALASSI ABRASIVE 125MM SNAIL BACK

Burgalassi chamfer wheels are designed to handle even the most difficult chamfering jobs, providing reliable performance and exceptional results.

GRADE	CODE
1000	BA.5S.1000



BLASTER POLISHING PAD 130MM

High performance diamond-coated floor pads available in 17" and 5" sizes. For cleaning and maintaining polished floors made of Marble, Granite, Concrete and Terrazzo. Use with integrated water or effective on tool extraction system.

POS	CODE
1	BLASTER130.1
2	BLASTER130.2
3	BLASTER130.3
4	BLASTER130.4
5	BLASTER130.5



BLASTER POLISHING PAD 430MM

High performance diamond-coated floor pads available in 17" and 5" sizes for cleaning and maintaining polished floors made of Marble, Granite, Concrete and Terrazzo. Use with integrated water or effective on tool extraction system.

POS	CODE
1	BLASTER430.1
2	BLASTER430.2
3	BLASTER430.3
4	BLASTER430.4
5	BLASTER430.5



DIAMOND POLISHING

FABDIA MACARON DIAMOND SPONGE 128MM

Part of the Diamaster Surfacing System with snail backing for use on edge polishers. Sponge type polishing pad for wet use on all material types. Especially useful for adding gloss while preserving surface texture or removing swirl marks. Avoids burning and chipping.

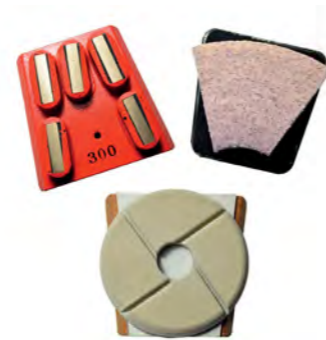
GRADE	CODE
400	DFM.5S.0400
800	DFM.5S.0800
1500	DFM.5S.1500
3000	DFM.5S.3000
5000	DFM.5S.5000



DIAMASTER POLISHING SYSTEM FRANKFURT METAL BOND

Contact CDK Stone for recommended product combination and sequence for your chosen material and finish requirements.

GRIT	CODE
80	DM.FF.M0080
150	DM.FF.M0150
300	DM.FF.M0300



OCTRON D10 250MM VELCRO BACKED

Wet use on all materials types for surface refinishing.

GRADE	CODE
60	DO.10V.0060
100	DO.10V.0100
200	DO.10V.0200
400	DO.10V.0400
800	DO.10V.0800
1500	DO.10V.1500
3000	DO.10V.3000
5000	DO.10V.5000
8000	DO.10V.8000



GALESKI

HIGH QUALITY, RELIABLE WET GRINDER

GALESKI ECOMAX VARIO

THE GALESKI ECOMAX VARIO IS A LIGHT AND COMPACT WET GRINDER. THIS ONE HANDED CUT-OFF SAW IS PERFECT FOR WET PROCESSING NATURAL STONE, ENGINEERED STONE, TILES, PAVERS, PORCELAIN OR CERAMICS, DEPENDING ON THE BLADE.

FEATURING A CONTINUOUS WATER FEED AND SPLASH GUARD, THE ECOMAX VARIO IS A VARIABLE SPEED GRINDER WITH ADJUSTABLE SPEED DIAL.

THE GALESKI ECOMAX VARIO IS MADE FROM HIGH QUALITY MATERIALS AND FEATURES A ERGONOMIC DESIGN. THE GRINDER'S BLADE GUARD CAN BE EASILY REMOVED FOR QUICK ACCESS TO THE SPINDLE.

THE 125MM VERSION OF THE ECOMAX VARIO NOW FEATURES A BRUSHLESS MOTOR FOR INCREASED PRODUCTIVITY.

THE GALESKI WET GRINDER IS THE ULTIMATE ON-SITE GRINDER FOR WET PROCESSING.

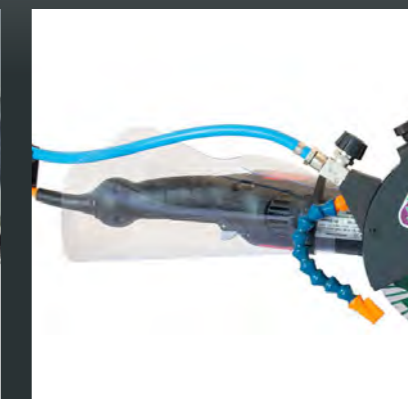


MAX CUTTING DEPTH	MAX DISC DIAMETER	SPINDLE SPEED	SPINDLE THREAD	CODE
25mm	125mm	1900-9500rpm	22.2mm, M14	ECOMAX125VARI0BL
58mm	180mm	1700-6800rpm	22.2mm, M14	ECOMAX180VARIO
63mm	230mm	6600rpm	22.2mm, M14	ECOMAX230VARIO

GALESKI ECOMAX VARIO FEATURES



CONTINUOUS ON-TOOL WATER FEED THAT IS ADJUSTABLE



SPLASH GUARD TO PROTECT MACHINE FROM WATER & SLURRY



VARIABLE SPEED DIAL TO ADJUST RPM SPEED OF SPINDLE

	COBRA	CURVED	ED (ELECTROPLATED)	EMS	ES	EXCEL	FINE CUT	STINGER	TORNADO	ULTRATHIN	VANITY	VELOCITY	VIPER	XTREME
GRANITE	Works Very Well	Works Very Well	Works Very Well	Works Very Well	Works Very Well	Works Very Well	Works Very Well	Works Very Well	Works Very Well	Works Very Well	Works Very Well	Works Very Well	Works Very Well	Works Very Well
MARBLE	Works Very Well	Works Very Well	Works Very Well	Works Very Well	Works Very Well	Works Very Well	Works Very Well	Works Very Well	Works Very Well	Works Very Well	Works Very Well	Works Very Well	Works Very Well	Works Very Well
QUARTZITE	Works Very Well	Works Very Well	Works Very Well	Works Very Well	Works Very Well	Works Very Well	Works Very Well	Works Very Well	Works Very Well	Works Very Well	Works Very Well	Works Very Well	Works Very Well	Works Very Well
ENGINEERED	Works Very Well	Works Very Well	Works Very Well	Works Very Well	Works Very Well	Works Very Well	Works Very Well	Works Very Well	Works Very Well	Works Very Well	Works Very Well	Works Very Well	Works Very Well	Works Very Well
PORCELAIN	Works Very Well	Works Very Well	Works Very Well	Works Very Well	Works Very Well	Works Very Well	Works Very Well	Works Very Well	Works Very Well	Works Very Well	Works Very Well	Works Very Well	Works Very Well	Works Very Well
CERAMIC	Works Very Well	Works Very Well	Works Very Well	Works Very Well	Works Very Well	Works Very Well	Works Very Well	Works Very Well	Works Very Well	Works Very Well	Works Very Well	Works Very Well	Works Very Well	Works Very Well
CONCRETE	Works Very Well	Works Very Well	Works Very Well	Works Very Well	Works Very Well	Works Very Well	Works Very Well	Works Very Well	Works Very Well	Works Very Well	Works Very Well	Works Very Well	Works Very Well	Works Very Well
GLASS	Works Very Well	Works Very Well	Works Very Well	Works Very Well	Works Very Well	Works Very Well	Works Very Well	Works Very Well	Works Very Well	Works Very Well	Works Very Well	Works Very Well	Works Very Well	Works Very Well
STONEWARE	Works Very Well	Works Very Well	Works Very Well	Works Very Well	Works Very Well	Works Very Well	Works Very Well	Works Very Well	Works Very Well	Works Very Well	Works Very Well	Works Very Well	Works Very Well	Works Very Well

Blade material usage key:

Not Recommended Suitable Works Well Works Very Well

Please note all recommendations are a guide only. Performance will vary depending on material. Always perform a test if unsure.

DIAREX®

DIAREX COBRA ULTRA THIN TURBO

A versatile blade suitable for cutting a wide range of materials including Granite, Marble, Quartzite, Engineered Stone, Porcelain, Ceramic and Concrete. With excellent performance on hard materials, this blade is also a great choice for cutting stoneware. Includes a 15.85mm reducer.

SIZE (MM)	BORE (MM)	CODE
105	22.2	DBT105UC
115	22.2	DBT115UC
125	22.2	DBT125UC



DIAREX CURVED TURBO

The Curved blade is a high quality blade that excels at cutting harder materials such as Granite, Marble, and Engineered Stone. Its curved shape allows for precise cutting in tight spaces and intricate designs. Includes a 15.85mm reducer.

SIZE (MM)	BORE (MM)	CODE
125	22.2	DBT125DCV



DIAREX ED ELECTROPLATED

The ED blade is a great all-around blade that performs well on Marble, Porcelain and Ceramics. Its diamond coating ensures a clean, precise cut every time. Includes a 15.85mm reducer.

SIZE (MM)	BORE (MM)	CODE
125	22.2	DBR125DED



DIAREX EMS SEGMENTED

A specialised blade designed for cutting softer materials such as Marble and Ceramic. Its high speed cutting action and efficient design make it a great choice for projects where speed and precision are key. Includes a 15.85mm reducer.

SIZE (MM)	BORE (MM)	CODE
105	22.2	DB105EMS
125	22.2	DB125EMS



DIAREX ES TURBO

The ES blade is a versatile blade suitable for cutting a wide range of materials including Granite, Marble, Quartzite and Concrete. Its aggressive diamond coating ensures fast, efficient cutting, while its cooling holes prevent overheating and prolong blade life. Includes a 15.85mm reducer.

SIZE (MM)	BORE (MM)	CODE
100	22.2	DBT105DES
125	22.2	DBT125DES
150	22.2	DBT150DES
180	22.2	DBT180DES
230	22.2	DBT230DES



SMALL BLADES

DIAREX EXCEL TURBO

The Excel blade is a high performance blade that excels at cutting hard materials such as Granite and Engineered Stone. Its narrow cutting width and high diamond concentration ensure a clean, precise cut every time.

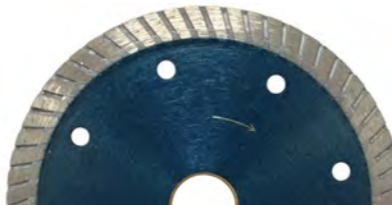
SIZE (MM)	BORE (MM)	CODE
125	22.2	DBT125DXL



DIAREX FINECUT TURBO

The Fine Cut blade is an excellent choice for cutting Ceramic and Porcelain tiles. Its fine, continuous rim ensures a clean, chip-free cut, while its narrow cutting width allows for precise cuts in tight spaces. Includes a 15.85mm reducer.

SIZE (MM)	BORE (MM)	CODE
125	22.2	DBT125DFC
150	22.2	DBT150DFC



DIAREX STINGER ULTRA THIN TURBO

The Stinger blade is a versatile blade suitable for cutting a wide range of materials including Granite, Marble, Quartzite, Engineered Stone, Porcelain, Ceramic and Concrete. Its high diamond concentration ensures fast, efficient cutting, while its cooling holes prevent overheating and prolong blade life. Includes a 15.85mm reducer.

SIZE (MM)	BORE (MM)	CODE
105	22.2	DBT105US
125	22.2	DBT125US



DIAREX TORNADO TURBO

The Tornado blade is a high performance blade that excels at cutting hard materials such as Granite and Engineered Stone. Its turbo rim ensures fast, efficient cutting, while its narrow cutting width allows for precise cuts in tight spaces. Includes a 22.2mm reducer.

SIZE (MM)	BORE (MM)	CODE
125	22.2	DBT125DTD



DIAREX ULTRA THIN TURBO

The Ultra Thin blade is a specialised blade designed for cutting Porcelain and Ceramic tiles. Its ultra-thin design ensures minimal chipping, while its high diamond concentration ensures long-lasting performance. Includes a 22.2/15.85mm or 30/25mm reducer.

SIZE (MM)	BORE (MM)	CODE
105	22.2	DBT105UT
115	22.2	DBT115UT
125	22.2	DBT125UT
180	30	DBT180UT
200	30	DBT200UT



DIAREX®

DIAREX VANITY

The Vanity blade is a high quality blade designed specifically for cutting Marble and other soft materials. Its narrow cutting width and high diamond concentration ensure a clean, precise cut every time. Includes a flange attached that is an M14 fitting for use in tight areas.

SIZE (MM)	BORE (MM)	CODE
125	22.2	DBV125DED



DIAREX VELOCITY TURBO

The Velocity blade is a high performance blade that excels at cutting hard materials such as Granite and Engineered Stone. Its narrow cutting width and high diamond concentration ensure a clean, precise cut every time.

SIZE (MM)	BORE (MM)	CODE
125	22.2	DBT125DVL



DIAREX VIPER ULTRA THIN

The Viper blade is a versatile blade suitable for cutting a wide range of materials including Granite, Marble, Quartzite, Engineered Stone, Porcelain, Ceramic, Concrete and even Glass. Its diamond coating ensures a clean, precise cut, while its cooling holes prevent overheating and prolong blade life. With an additional diamond coating on the blade's side, the Viper is also ideal for trimming and shaping projects. Includes a 15.85mm reducer.

SIZE (MM)	BORE (MM)	CODE
100	22.2	DBT105VIPER
125	22.2	DBT125VIPER



DIAREX XTREME TURBO

The Xtreme blade is a high performance blade designed for cutting a variety of hard materials, including Granite, Marble and Quartzite. Its aggressive diamond coating and turbo rim ensure fast, efficient cutting, while its narrow cutting width allows for precise cuts in tight spaces. With its superior cutting power, the Xtreme blade is an excellent choice for demanding projects. Includes a 22.2/15.85mm or 22.2/20mm reducer.

SIZE (MM)	BORE (MM)	CODE
105	22.2	DBT105DXT
125	22.2	DBT125DXT
150	22.2	DBT150DXT
180	22.2	DBT180DXT
230	22.2	DBT230DXT



DEDICATED SERVICE ON ALL YOUR MACHINES



THE ONE PARTNER YOU NEED FOR STONE

CDK Stone's team of devoted technicians travel across Australia every day, servicing, maintaining, and repairing stone processing machines. With a growing team of 19 technicians Nationally and 25 Technicians across Australia and New Zealand, CDK Stone has become leaders in stone machinery servicing in Australia.



TECH SUPPORT DESK
manned from
7.30am - 4.00pm EST



4 SERVICE CASE MANAGERS
with coverage from
7.30am - 6.00pm EST
Monday - Friday
(7.00pm DST)

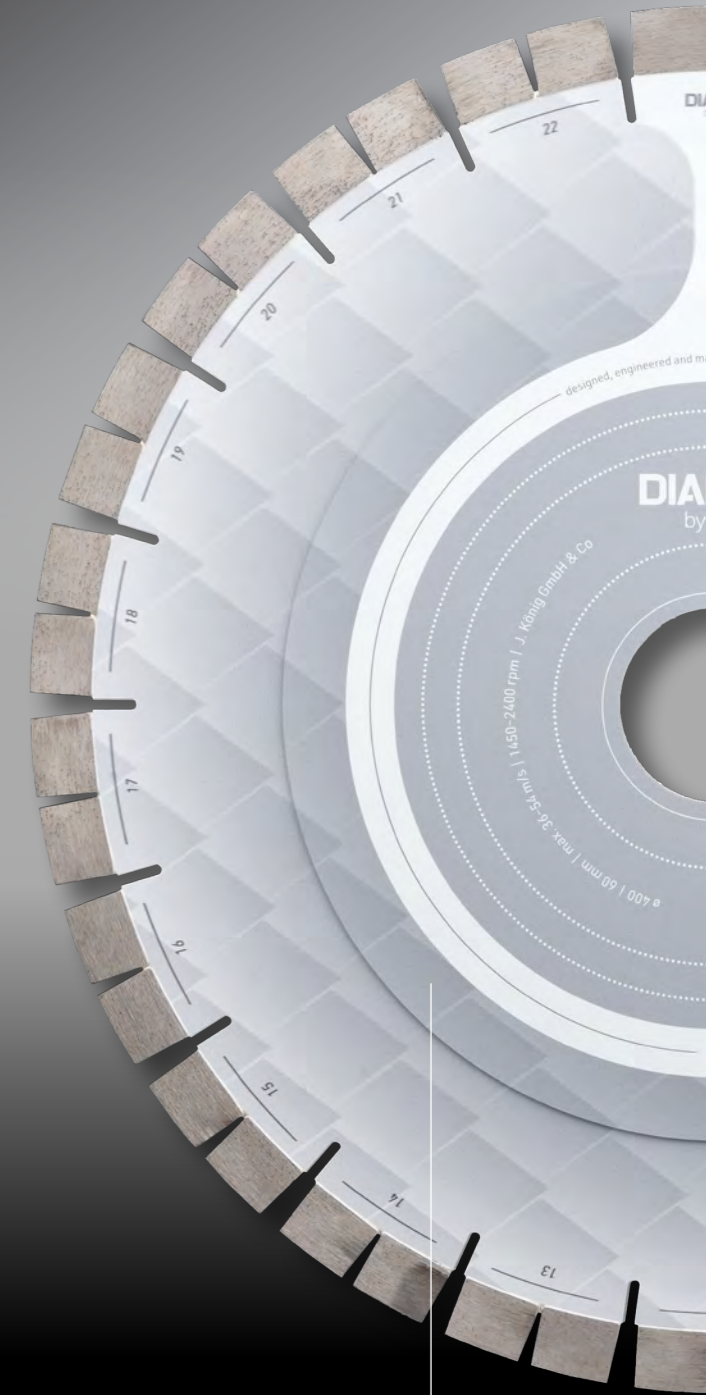


RELATIONSHIPS ACROSS THE GLOBE
working with the leaders
in the stone industry
helping our customers
achieve the best tailored
solutions



WE'VE GOT YOU COVERED
25 technicians across
Australia and New Zealand

DIAREX® GREAT WHITE SHARK



NEW CUSTOM DESIGN, SPECIFICALLY FOR THE FAST PRODUCTION OF MODERN 'LOW SILICA' MATERIALS.

IDEAL FOR FULL AUTOMATIC CUTTING OF STRAIGHT CUTS AND MITRE CUTS.

SPECIAL DIAMOND LAYER WITH BROAD APPLICATION FOR FAST CUTTING AS WELL AS SLOWER FEED SPEED FOR MITRE CUTTING.

SIZE	CODE
400mm	DB400KGWS
450mm	DB450KGWS
500mm	DB500KGWS

Reinforced core ensures maximum stability and rigidity

Blade Model	GRANITE	MARBLE	QUARTZITE	ENGINEERED	NEW GEN ENGINEERED	PORCELAIN	CERAMIC	CONCRETE	GLASS	STONEWARE
BLACK LABEL	Not Recommended	Not Recommended	Not Recommended	Not Recommended	Not Recommended	Not Recommended	Not Recommended	Not Recommended	Not Recommended	Not Recommended
C5	Not Recommended	Not Recommended	Not Recommended	Not Recommended	Not Recommended	Not Recommended	Not Recommended	Not Recommended	Not Recommended	Not Recommended
GST	Not Recommended	Not Recommended	Not Recommended	Not Recommended	Not Recommended	Not Recommended	Not Recommended	Not Recommended	Not Recommended	Not Recommended
GWS	Works Well	Works Well	Works Well	Works Well	Works Well	Works Well	Works Well	Works Well	Works Well	Works Well
K5	Works Well	Works Well	Works Well	Works Well	Works Well	Works Well	Works Well	Works Well	Works Well	Works Well
K9	Works Well	Works Well	Works Well	Works Well	Works Well	Works Well	Works Well	Works Well	Works Well	Works Well
M5	Works Well	Works Well	Works Well	Works Well	Works Well	Works Well	Works Well	Works Well	Works Well	Works Well
RAZOR45	Works Well	Works Well	Works Well	Works Well	Works Well	Works Well	Works Well	Works Well	Works Well	Works Well
SPEED UCS	Works Well	Works Well	Works Well	Works Well	Works Well	Works Well	Works Well	Works Well	Works Well	Works Well
STONE WARE	Works Well	Works Well	Works Well	Works Well	Works Well	Works Well	Works Well	Works Well	Works Well	Works Well
TGB	Works Well	Works Well	Works Well	Works Well	Works Well	Works Well	Works Well	Works Well	Works Well	Works Well
TGBL2	Works Well	Works Well	Works Well	Works Well	Works Well	Works Well	Works Well	Works Well	Works Well	Works Well
TGVW+	Works Well	Works Well	Works Well	Works Well	Works Well	Works Well	Works Well	Works Well	Works Well	Works Well
UCS	Works Well	Works Well	Works Well	Works Well	Works Well	Works Well	Works Well	Works Well	Works Well	Works Well
ULTRA THIN	Works Well	Works Well	Works Well	Works Well	Works Well	Works Well	Works Well	Works Well	Works Well	Works Well
WHITE SHARK	Works Well	Works Well	Works Well	Works Well	Works Well	Works Well	Works Well	Works Well	Works Well	Works Well
X3	Works Well	Works Well	Works Well	Works Well	Works Well	Works Well	Works Well	Works Well	Works Well	Works Well
Z5	Works Well	Works Well	Works Well	Works Well	Works Well	Works Well	Works Well	Works Well	Works Well	Works Well

Blade material usage key: Not Recommended Suitable Works Well Works Very Well

Please note all recommendations are a guide only. Performance will vary depending on material. Always perform a test if unsure.

DIAREX®

DIAREX GREAT WHITE SHARK

Specifically designed for the fast production of Modern 'Low Silica' Materials. Ideal for full automatic straight and mitre cutting. Special diamond layer with broad application for fast cutting as well as slower feed speed for mitre cutting.

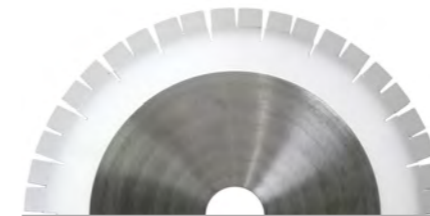


OPERATING PARAMETERS				
DEPTH OF CUT	DIAMETER	RPM	FEED SPEED	FEED SPEED MITRE
20mm	400mm	1450-2400	2.5-6.6 m/min	1.25-3.3 m/min
	450mm	1800-2160		
	500mm	1300-1500		

SIZE	BORE (MM)	CODE
400mm	60	DB400KGWS
450mm	60	DB450KGWS
500mm	60	DB500KGWS

DIAREX WHITE SHARK NG

Ideal for full automatic cutting of straight cuts and mitre cuts. Special diamond layer with broad application for fast cutting as well as slower feed speed for mitre cutting. Nickel-Spicky diamond technology for optimum tool life.



OPERATING PARAMETERS				
DEPTH OF CUT	DIAMETER	RPM	FEED SPEED	FEED SPEED MITRE
20mm	400mm	1450-2400	2.5-6.6 m/min	1.25-3.3 m/min
	450mm	1800-2160		
	500mm	1300-1500		

SIZE	BORE (MM)	CODE
400mm	60	DB400WSNG
450mm	60	DB450WSNG
500mm	60	DB500WSNG

DIAREX TGV-W PLUS SILENT BLADE

Premium quality blade for wet-cutting Granite and Engineered Stone on all machines. Gives very clean edges. Minimal chipping on top and bottom edge. Fast and easy cutting even on low-powered saws. 20mm segment height.



OPERATING PARAMETERS				
DEPTH OF CUT	DIAMETER	RPM	FEED SPEED	FEED SPEED MITRE
20mm	400mm	1750-2600	2.1-3 m/min	1.0-1.5 m/min
	450mm	1800-2300		
	500mm	1400-2100		
30mm	400mm	1450-2150	1.8-2.5 m/min	0.6-1.25 m/min
	450mm	1250-1900		
	500mm	1150-1750		
40mm	400mm	1160-1720	1.5-2 m/min	0.75-1.0 m/min
	450mm	1000-1520		
	500mm	920-1400		

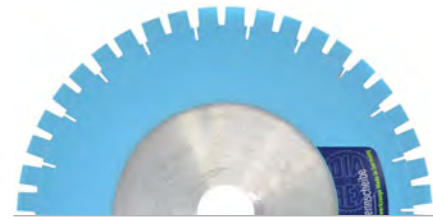
SIZE	BORE (MM)	CODE
350mm	60	DB350TGVW+
400mm	60	DB400TGVW+
450mm	60	DB450TGVW+
500mm	60	DB500TGVW+

Please note all recommendations and parameters are a guide only. Feed Speeds, RPMs and any technical operating parameters or recommendations will vary depending on material. Always perform a test on material if unsure.

LARGE BLADES

DIAREX TGI-L-2 SILENT BLADE

Premium quality blade for wet-cutting Granite and Engineered Stone on all machines. Greater lifetime and higher feed speed. Gives very clean edges. Minimal chipping on top and bottom edge. 20mm segment height.



OPERATING PARAMETERS				
DEPTH OF CUT	DIAMETER	RPM	FEED SPEED	FEED SPEED MITRE
20mm	400mm	1600-2150	2.4-3.3 m/min	1.2-1.65 m/min
	450mm	1450-1950		
	500mm	1280-1750		
30mm	400mm	1350-1800	2.0-2.7 m/min	1.0-1.35 m/min
	450mm	1200-1600		
	500mm	1050-1450		
40mm	400mm	1080-1440	1.6-2.2 m/min	0.8-1.1 m/min
	450mm	960-1280		
	500mm	840-1160		

SIZE	BORE (MM)	CODE
400mm	60	DB400TGIL2
450mm	60	DB450TGIL2
500mm	60	DB500TGIL2

DIAREX M5

The Diarex M5 Blade is a premium quality blade for wet-cutting of Marble, soft stones and delicate material. The Diarex M5 Blade produces clean and sharp edges and almost no chipping.



OPERATING PARAMETERS				
DEPTH OF CUT	DIAMETER	RPM	FEED SPEED	FEED SPEED MITRE
20mm	400mm	2100-2400	2.4-4.8 m/min	1.2-2.4 m/min
	450mm	1900-2100		
	500mm	1750-2100		
30mm	400mm	2600-2800	2.4 m/min	1.2 m/min
	450mm	2600-2800		
	500mm	1450-1600		
40mm	400mm	1750-1920	1.6-3.2 m/min	0.8-1.6 m/min
	450mm	1300-1440		
	500mm	1160-1300		

SIZE	BORE (MM)	CODE
300mm	60	DB300M5
350mm	60	DB350M5
400mm	60	DB400M5
450mm	60	DB450M5
500mm	60	DB500M5

DIAREX Z5

The Diarex Z5 Blade is a premium quality blade for wet-cutting of Quartzites and extremely hard materials and can cut in a single pass without going blunt. The Diarex Z5 Blade produces sharp edges with minimal chipping.



OPERATING PARAMETERS				
DEPTH OF CUT	DIAMETER	RPM	FEED SPEED	FEED SPEED MITRE
20mm	400mm	1000-1200	0.7-1.5 m/min	0.35-0.7 m/min
	450mm	1000-1200		

SIZE	BORE (MM)	CODE
400mm	60	DB400QZ
450mm	60	DB450QZ

DIAREX®

DIAREX TS X3

The Diarex X3 Blade makes it possible to cut all materials with one blade. Capable of cutting Natural Stone, Engineered Stone, Quartz and Ceramics, the X3's superior performance is due to its unique diamond segments which allow the blade to produce high quality cuts, even at high feed rates.



OPERATING PARAMETERS				
DEPTH OF CUT	DIAMETER	RPM	FEED SPEED	FEED SPEED MITRE
12mm	400mm	2400-2600	1.8-3.6 m/min	1.0-2.0 m/min
20mm	400mm	2400-2600	1.5-5.0 m/min	0.8-2.0 m/min
30mm	400mm	2400-2600	2.0-5.0 m/min	1.0-2.0 m/min

SIZE	BORE (MM)	CODE
400mm	60	DB400DTSX3

DIAREX K5

The Diarex K5 Blade makes it possible to cut Ultra Compact Surfaces, Sintered Stone, Porcelain and Ceramics with superior results. The advanced diamond segments allow the blade to be even more precise in lower edges of the material, resulting in almost no chipping whilst boasting an impressive extended life-cycle.



OPERATING PARAMETERS				
DEPTH OF CUT	DIAMETER	RPM	FEED SPEED	FEED SPEED MITRE
12mm	400mm	2000-2200	0.8-2.2 m/min	0.4-1.0 m/min
	450mm	1800-2000		
20mm	400mm	2000-2200	0.7-1.8 m/min	0.4-1.0 m/min
	450mm	1800-2000		
30mm	400mm	2000-2200	0.6-1.4 m/min	0.3-0.6 m/min
	450mm	1800-2000		

SIZE	BORE (MM)	CODE
400mm	60	DB400K5
450mm	60	DB450K5

DIAREX K9 SILENT BLADE

High performance long-life blade for wet-cutting Granite and Engineered Stone on all machine types. 25x20mm segment height.



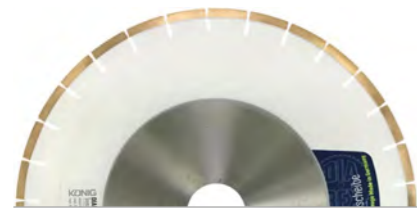
OPERATING PARAMETERS				
DEPTH OF CUT	DIAMETER	RPM	FEED SPEED	FEED SPEED MITRE
20mm	400mm	1750-2400	2.4-4.8 m/min	1.2-2.4 m/min
	450mm	1550-2100		
30mm	400mm	1450-2000	2.4 m/min	1.2 m/min
	450mm	1300-1750		
40mm	400mm	1160-1600	1.6-3.2 m/min	0.8-1.6 m/min
	450mm	1040-1400		

SIZE	BORE (MM)	CODE
400mm	60	DB400DK9
450mm	60	DB450DK9

LARGE BLADES

DIAREX UCS BRIDGE SAW BLADE

The Diarex UCS Blade is a premium quality blade for high quality, wet cutting of Sintered Stone Surfaces and other kinds of ceramic material. The superior segments allow for an excellent result.

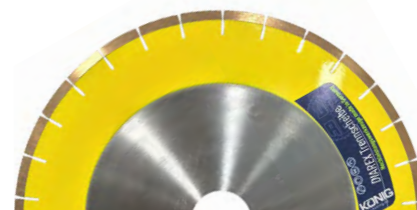


OPERATING PARAMETERS				
DEPTH OF CUT	DIAMETER	RPM	FEED SPEED	FEED SPEED MITRE
12mm	350mm	1800-1900	0.8-1.2 m/min	0.5-0.7 m/min
	400mm	1700-1800		
	450mm	1400-1600		
20mm	350mm	1800-1900	0.5-0.7 m/min	0.2-0.4 m/min
	400mm	1700-1800		
	450mm	1400-1600		

SIZE	BORE (MM)	CODE
350mm	60	DB350UCS
400mm	60	DB400UCS
450mm	60	DB450UCS

DIAREX UCS SPEED

Premium quality blade for high production cutting of Sintered Stone Surfaces and other kinds of Ultra Compact Surfaces. Long life, no sharpening required.



OPERATING PARAMETERS				
DEPTH OF CUT	DIAMETER	RPM	FEED SPEED	FEED SPEED MITRE
12mm	350mm	1750-2200	1.5-2.5 m/min	0.8-1.5 m/min
	400mm	1900-2000		
	450mm	1700-1800		
20mm	350mm	1750-2200	0.8-2.0 m/min	0.4-0.6 m/min
	400mm	1900-2000		
	450mm	1700-1800		

SIZE	BORE (MM)	CODE
350mm	60	DB350SUCS
400mm	60	DB400SUCS
450mm	60	DB450SUCS
500mm	60	DB500SUCS

DIAREX GST SILENT BLADE

High performance long-life blade for wet-cutting Granite and Engineered Stone on powerful saws. Ideal for Burkhardt machines. Segment height 25x20mm.



OPERATING PARAMETERS				
DEPTH OF CUT	DIAMETER	RPM	FEED SPEED	FEED SPEED MITRE
20mm	400mm	1860-2300	1.5-3.0 m/min	0.75-1.5 m/min

SIZE	BORE (MM)	CODE
400mm	60	DB400GST

DIAREX®

DIAREX RAZOR 45 ENGINEERED

High quality blade for mitring Engineered Stone and Granite.



OPERATING PARAMETERS				
DEPTH OF CUT	DIAMETER	RPM	FEED SPEED	FEED SPEED MITRE
20mm	350mm	1800-2200	0.5-1.5 m/min	0.25-0.75 m/min

SIZE	BORE (MM)	CODE
350mm	60	DB350DR45NG

DIAREX UFL MILLING WHEEL

Premium quality Milling wheel with UFL bond for wet milling Granite. Diarex tungsten carbide cutting segments for calibrating wooden saw tables. Sold separately.

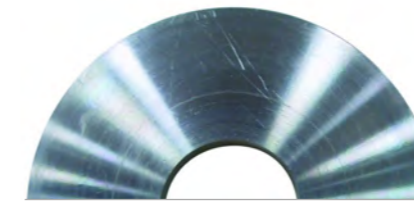


OPERATING PARAMETERS				
DEPTH OF CUT	DIAMETER	RPM	FEED SPEED	FEED SPEED MITRE
1-2mm	350mm	1450	1.0 m/min	N/A

SIZE	BORE (MM)	CODE
350mm	60	DMW350/40UFL

DIAREX MILLING WHEEL FLANGE 150MM

Can be used to replace saw's outer flange if spindle is not long enough to accommodate the milling wheel between standard flanges. 50mm bore 14mm thick.



CODE
KE05.350

DIAREX TGB GRANITE

Premium quality blade for wet cutting Granite and hard stone. Suitable for high peripheral speed portable site saws. 12mm segment height.



OPERATING PARAMETERS				
DEPTH OF CUT	DIAMETER	RPM	FEED SPEED	FEED SPEED MITRE
Up to 20mm	250mm	1850 - 2800	Manual	Manual
	300mm	1850 - 2800		
	350mm	1850 - 2800		

SIZE	BORE (MM)	CODE
250mm	30	DB250TGB
300mm	30	DB300TGB
350mm	30	DB350TGB

LARGE BLADES

DIAREX ULTRA TURBO ULTRA THIN

The Ultra Thin blade is a specialised blade designed for cutting Porcelain and Ceramic tiles. Its ultra-thin design ensures minimal chipping, while its high diamond concentration ensures long-lasting performance. Includes a 25mm or reducer.



OPERATING PARAMETERS				
DEPTH OF CUT	DIAMETER	RPM	FEED SPEED	FEED SPEED MITRE
Up to 20mm	230mm	1850 - 2800	Manual	Manual
	250mm	1850 - 2800		
	300mm	1850 - 2800		
	350mm	1850 - 2800		

SIZE	BORE (MM)	CODE
230mm	30	DBT230UT
250mm	30	DBT250UT
300mm	30	DBT300UT
350mm	30	DBT350UT

DIAREX SW STONWARE BLADE

The Diarex Stoneware Blade is the ultimate blade for cutting Stoneware tiles and thick Porcelain on portable wet saws.



OPERATING PARAMETERS				
DEPTH OF CUT	DIAMETER	RPM	FEED SPEED	FEED SPEED MITRE
Up to 20mm	250mm	1850 - 2800	Manual	Manual
	300mm	1850 - 2800		
	350mm	1850 - 2800		

SIZE	BORE (MM)	CODE
250mm	30	DB250SW
300mm	30	DB300SW
350mm	30	DB350SW

DIAREX C5 SILENT BLADE

Special quality blade for wet-cutting Porcelain and Ceramics also suitable for mitring Natural and Engineered Stone.



OPERATING PARAMETERS				
DEPTH OF CUT	DIAMETER	RPM	FEED SPEED	FEED SPEED MITRE
Up to 20mm	300mm	1850 - 2800	Manual	Manual
	350mm	1850 - 2800		

SIZE	BORE (MM)	CODE
300mm	60	DB300C5
350mm	60	DB350C5

DIAREX BLACK LABEL BLADE

The Diarex Black Label Blade is a continuous rim, premium quality blade for fast, clean cutting of Porcelain and Ceramic tiles. Includes a 30/22.2mm or 50.15/30mm reducer.



OPERATING PARAMETERS				
DEPTH OF CUT	DIAMETER	RPM	FEED SPEED	FEED SPEED MITRE
Up to 20mm	230mm	1850 - 2800	Manual	Manual
	250mm	1850 - 2800		
	300mm	1850 - 2800		
	350mm	1850 - 2800		

SIZE	BORE (MM)	CODE
230mm	30	DBR230BLC
250mm	30	DBR250BLC
300mm	50.15	DBR300BLC
350mm	50.15	DBR350BLC

MANTA

PREMIUM QUALITY PORTABLE WET SAW

MANTA ALUMINIUM PORTABLE SAW

THE MANTA TABLE SAW IS PERFECT FOR WET PROCESSING NATURAL STONE, ENGINEERED STONE, TILES, PAVERS, PORCELAIN OR CERAMICS, DEPENDING ON THE BLADE.

FEATURING AN INTEGRATED WATER TANK WITH RECIRCULATING PUMP SYSTEM, THIS SAW HAS A 45-DEGREE BRIDGE TILT THAT IS IDEAL FOR MITRED EDGES.

THE MANTA PORTABLE SAW IS MADE FROM HIGH QUALITY MATERIALS AND FEATURES A ROBUST DESIGN. THE SAW'S LEGS CAN FOLD DOWN FOR EASY TRANSPORT IN A TRUCK, UTE OR VAN.

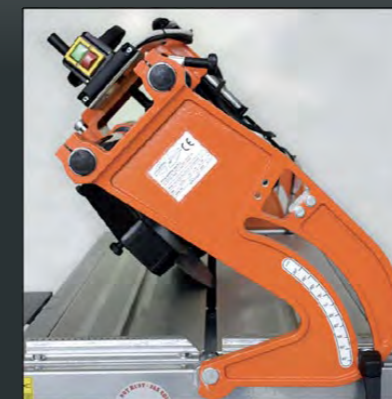
AN OPTIONAL EXTENSION PLATE AND SIDE EXTENSION ROLLERS ARE ALSO AVAILABLE FOR THE MANTA PORTABLE SAW.

THE MANTA PORTABLE SAW IS THE ULTIMATE ON-SITE SAW FOR WET PROCESSING.

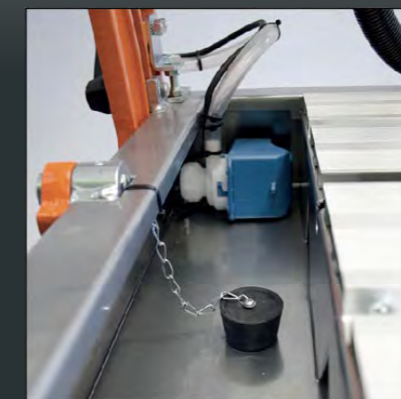


MAX DISC DIAMETER	MAX CUTTING THICKNESS	SPINDLE SPEED	MOTOR	CUTTING LENGTH	CODE
350mm	110mm	2800rpm	2.2kw 230V	1000mm	MANTA100A
350mm	110mm	2800rpm	2.2kw 230V	1200mm	MANTA120A

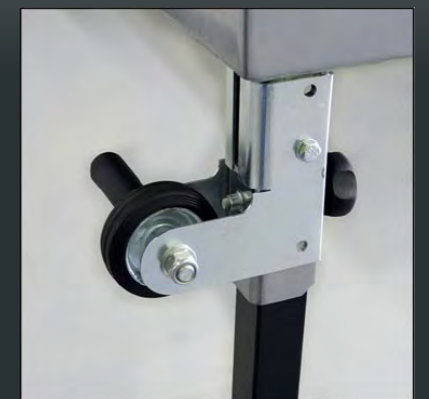
MANTA PORTABLE SAW FEATURES



45 DEGREE TILT FOR MITRED AND ANGLED CUTS



STAINLESS STEEL WATER TANK & RECIRCULATING PUMP SYSTEM



FOLDABLE LEGS WITH WHEELS FOR EASY TRANSPORTATION

MANUAL HAND GRINDING/DRILLING

DIAREX VDU CORE DRILLS

Premium quality long life drill bit for Porcelain, Ceramic, Marble and Limestone. Drilling depth of 30mm. M14 fitting.

SIZE	CODE	SIZE	CODE
6mm	DCD006VDU	40mm	DCD040VDU
8mm	DCD008VDU	45mm	DCD045VDU
10mm	DCD010VDU	50mm	DCD050VDU
12mm	DCD012VDU	55mm	DCD055VDU
16mm	DCD016VDU	60mm	DCD060VDU
20mm	DCD020VDU	70mm	DCD070VDU
25mm	DCD025VDU	80mm	DCD080VDU
30mm	DCD030VDU	90mm	DCD090VDU
32mm	DCD032VDU	100mm	DCD100VDU
35mm	DCD035VDU	110mm	DCD110VDU
38mm	DCD038VDU		



DIAREX TGS CORE DRILLS

Hexagonal Shank. For Granite and Engineered Stone. Drilling depth of 65mm.

SIZE	CODE	SIZE	CODE
20mm	DCD020TGS	55mm	DCD055TGS
25mm	DCD025TGS	60mm	DCD060TGS
30mm	DCD030TGS	65mm	DCD065TGS
32mm	DCD032TGS	70mm	DCD070TGS
35mm	DCD035TGS	80mm	DCD080TGS
38mm	DCD038TGS	90mm	DCD090TGS
45mm	DCD045TGS	100mm	DCD100TGS
50mm	DCD050TGS		



DIAREX TGA CORE DRILLS

M14 internal thread. For Granite and Engineered Stone. Drilling depth of 65mm.

SIZE	CODE	SIZE	CODE
12mm	DCD012STGA	40mm	DCD040STGA
16mm	DCD016STGA	50mm	DCD050STGA
19mm	DCD019STGA	60mm	DCD060STGA
25mm	DCD025STGA	70mm	DCD070STGA
30mm	DCD030STGA	80mm	DCD080STGA
32mm	DCD032STGA	90mm	DCD090STGA
35mm	DCD035STGA	100mm	DCD100STGA
38mm	DCD038STGA		



ADI N-TYPE PIN DRILLS

N-Type Pin Drill for Granite and Engineered Stone. Wet use only. Available in a 10mm cylindrical shank or M14 fitting (in certain sizes only).

SIZE	FITTING	DRILLING DEPTH:	CODE
4mm	Shank	25mm	DPD04GN
5mm	Shank	30mm	DPD05GN
6mm	Shank	40mm	DPD06GN
6mm	M14	40mm	DPD06GNA
7mm	Shank	40mm	DPD07GN
8mm	Shank	40mm	DPD08GN
8mm	M14	40mm	DPD08GNA
10mm	Shank	40mm	DPD10GN
12mm	Shank	40mm	DPD12GN
14mm	Shank	40mm	DPD14GN
15mm	Shank	40mm	DPD15GN



DIAREX®

DIAREX NINJA DIAMOND FLAP DISCS

For shaping, grinding and beveling edges on Natural Stone, Engineered Stone, Porcelain & Sintered Stone. These premium quality discs allow for fast grinding and heavy stock removal. M14 fitting.

GRIT	SIZE	CODE
60	115mm	DFD115X22P50M060
120	115mm	DFD115X22P50M120
200	115mm	DFD115X22P50M200
400	115mm	DFD115X22P50M400



DIAREX CHAMFER KIT

Vacuum brazed diamond chamfering bit. Conic chamfering wheel. Bevel Ease chamfers and stress relieves for holes in Glass, Ceramic and Porcelain tiles. The kit includes 5-12mm, 5-35mm and 35-75mm chamfering bits.

CODE
DCBKITVDU



DIAREX VDU CORE DRILLS KIT

Premium quality long life drill bits for Porcelain, Ceramic, Marble and Limestone. M14 fitting. The kit includes 6, 8, 12, 20, 38 & 50mm core drills, 10mm and 20mm router bits and M14 to shank adaptor.

CODE
DCDKITVDU



DIAREX VDU ROUTER BITS

Premium quality long life router bit for milling Porcelain, Ceramic, Marble and Limestone. M14 fitting.

SIZE	CODE
10mm	DRB10A
20mm	DRB20A



DIAREX GRINDER THREAD ADAPTOR PACK

The Diarex Grinder Thread Apaptor Pack allows you fit any M14 diamond tool to an M10 grinder. M10 to M14 thread. Includes one M10 with 1.25mm pitch and one M10 with 1.5mm pitch.

THREAD	CODE
M10/M14	TAM14M10KIT



DIAREX DRILL SHANK ADAPTER

With the Diarex Drill Shank Adapter, you can fit any M14 diamond tool to a drill. 9mm Hex Shank to M14 thread.

THREAD	CODE
M14	TAM14MSS

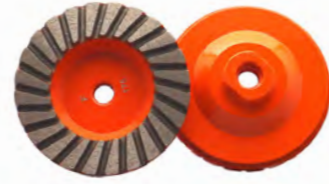


MANUAL HAND GRINDING/DRILLING

DIAREX TURBO EXTRACTION GRINDING CUP 100MM

Turbo grinding cup for Granite and Engineered Stone with vented body. M14 thread. Use with effective on tool extraction system only.

GRADE	COLOUR	CODE
80/100	Orange	DCW4TBK2A



DIAREX DMS EXTRACTION GRINDING CUP

Super aggressive flat grinding cup for Concrete and Granite. Available in both 125mm and 180mm varieties. Use with effective on tool extraction system only. Grade is 30/40 for both sizes.

SIZE	FITTING	CODE
125mm	22.2mm	DCW5DMS0H
180mm	22.2mm	DCW7DMS0H



DIAREX EDGE WET GRINDING CUP 100MM

High quality grinding cup for Granite and Engineered Stone with Tornado magnetic backing.

GRADE	CODE
40	DCW4EBK0M
60/80	DCW4EBK1M



DIAREX TORNADO BEVELLING / SHAPING CUP MAGNETIC FITTING 100MM

German designed, high quality beveling and shaping cup. Wet use only on Granite and Engineered Stone. Great value with a superb finish.

GRADE	COLOUR	CODE
Extra Coarse	Blue	T0SF
Coarse	Red	T1SF
Medium	Yellow	T2SF



DIAREX TORNADO FLAT CUP MAGNETIC FITTING 100MM

German designed, high quality grinding cup for flat surfaces. Wet use only on Granite and Engineered Stone. Great value with a superb finish.

GRADE	COLOUR	CODE
Extra Coarse	Blue	T0S
Coarse	Red	T1S
Medium	Yellow	T2S
Fine	Green	T3S



DIAREX TORNADO FLEXIBLE CUP MAGNETIC FITTING 100MM

German designed, high quality grinding cup for curved surfaces. Wet use only on Granite and Engineered Stone. Great value with a superb finish.

GRADE	COLOUR	CODE
Coarse	Red	T1E
Medium	Yellow	T2E



DIAREX PRO-SERIES GRINDING CUP 100MM

Double layer turbo grinding cup for fast, smooth coarse grinding. Designed for unmatched, professional performance with very low chipping. Ideal for excellent performance on Natural Stone, Engineered Stone, Sintered Stone and Porcelain. M14 fitting.

GRADE	COLOUR	CODE
Coarse	Gold	DCW4DP0A
Medium	Green	DCW4DP1A
Fine	Red	DCW4DP2A
Ultra Fine	Yellow	DCW4DP3A



DIAREX PRO-SERIES RESIN FILLED GRINDING CUP 100MM

Resin filled grinding cup for smooth, chip free grinding. Designed for unmatched, professional performance with less vibration which results in almost no chipping. Ideal for excellent performance on Natural Stone, Engineered Stone, Sintered Stone and Porcelain. M14 fitting.

GRADE	COLOUR	CODE
Coarse	Gold	DCW4DPR0A
Medium	Green	DCW4DPR1A
Fine	Red	DCW4DPR2A



ADI ULTRA COMPACT SURFACES GRINDING CUP 115MM

Designed for use with Ultra Compact Surfaces & Sintered Stone, this grinding cup ensures exceptional performance. The diamonds are precisely embedded to maintain uniform height across all tips, effectively preventing material chipping. This innovative design results in good performance on hard Ceramic materials, Ultra Compact Surfaces, Sintered Stone & Porcelain. M14 fitting.

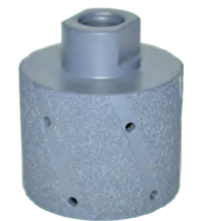
CODE
DCW4UCS1A



DIAREX VACUUM BRAZED GRINDING DRUM M14

Vacuum brazed grinding drum for wet or extraction use on Granite and Engineered Stone. M14 thread. Available in three grades and 25mm, 50mm & 75mm.

GRADE	SIZE	CODE
Coarse	25mm	DGD025V0A
Medium	25mm	DGD025V1A
Fine	25mm	DGD025V2A
Coarse	50mm	DGD050V0A
Medium	50mm	DGD050V1A
Fine	50mm	DGD050V2A
Coarse	75mm	DGD075V0A
Medium	75mm	DGD075V1A
Fine	75mm	DGD075V2A



DIAREX GRINDING POINT 10MM

Grinding point for wet or extraction use on Granite, Marble and Engineered Stone. 6mm straight shank.

GRADE	CODE
Coarse	DGP010S6



MACHINE GRINDING

DIAREX HAWK WET GRINDING CUP 100MM

Premium quality wet grinding cup for Granite & Engineered Stone. Snail Backing.

GRADE	POSITION	CODE
40	0	DCW4HAW0S
60/80	1	DCW4HAW1S
120	2	DCW4HAW2S



ADI GENERATING WHEEL COMANDULLI SPEEDY SYSTEM

Suitable for Comandulli Speedy System.

CODE
PA33158



ADI GENERATING WHEEL FOR COMANDULLI OMEGA & SYNTHESIS

Suitable for Comandulli Omega & Synthesis.

CODE
PA33334



ADI CALIBRATING WHEEL FOR COMANDULLI OMEGA & SYNTHESIS

Suitable for Comandulli Omega & Synthesis.

CODE
PA34011



ADI CALIBRATING WHEEL FOR COMANDULLI MUSA & PENTA

Suitable for Comandulli Musa & Penta.

CODE
PA34095



ADI CALIBRATING WHEEL FOR COMANDULLI MUSA NEXT

Suitable for Comandulli Musa Next.

CODE
PA34124



ADI BEVELLING WHEEL FOR COMANDULLI TMM MUSA & SPIRA

Suitable for Comandulli Musa with TMM3 Beveling Head.

CODE
PA45018



ADI BEVELLING WHEEL FOR COMANDULLI

Suitable for all Comandulli machines with TMM2 and TMM4 Beveling Heads.

CODE
PA32166



MANUAL MILLING / ROUTING

DIAREX SINTERED PROFILE WHEEL PROFILE F

Economical profile shaping wheel for use on most popular stone routing machines with 22.2mm boss. Comes complete with rotating central bearing and machined fixing bolt.

THICKNESS	CODE
20mm	DPW20F1D
30mm	DPW30F1D



DIAREX SINTERED PROFILE WHEEL PROFILE V

Economical profile shaping wheel for use on most popular stone routing machines with 22.2mm boss. Comes complete with rotating central bearing and machined fixing bolt.

THICKNESS	CODE
30mm	DPW30V1D
40mm	DPW40V1D



DIAREX VACUUM BRAZED FLUTE MILLING WHEEL

Mills flutes with radius of 6.35mm. Used on bridge saws to mill drainage flutes.

SIZE	BORE (MM)	CODE
400mm	60	FMW400DRX



CHEMICALS

SECTION 3

BUFFING COMPOUNDS	46
ADHESIVES	50
SURFACE EMBELLISHMENT	59
CLEANING, PROTECTION, MAINTENANCE	62
RESTORATION	74

BUFFING COMPOUNDS

BUFFING CHALK BAR WHITE

White polishing compound for use with calico buffs.

SIZE	CODE
750g	BC.CHLKWHT



HARD POLISHING WAX

Buffing wax for use with calico buffs. Available in black and neutral.

SIZE	CODE
Black	BC.WXBLACK
Neutral	BC.WXNEUT



DIA-GLO STAINLESS STEEL FLOOR PAD

17 inch stainless steel floor pad suitable for floor polishing machines.

SIZE	CODE
430mm	BC.DG17SS



DIA-GLO POLISHING POWDER TYPE M

Produces a high gloss finish on Marble and Terazzo surfaces.

SIZE	CODE
1lt	BC.DGMP.01
10lt	BC.DGMP.10



MB-12 MARBLE POLISHING POWDER

A wet to dry Marble Polishing Powder that produces a high gloss finish. Also suitable for Limestone, Travertine, and Terrazzo.

SIZE	CODE
450g	BC.MB-12.01.0



MB-20 GRANITE POLISHING PASTE

MB-20 is a Granite polishing compound used to achieve a high gloss finish. MB-20 can be tinted using Liquid tints if required.

SIZE	CODE
1kg	BC.MB-20.01.0



TENAX 5 EXTRA POWDER 1.0 KG

Yellow oxalic-acid based polishing powder for Marble and Limestone.

COLOUR	CODE
Neutral	TNX5XP1.0



REULIN BLACK POLISHING POWDER

Premium quality black polishing powder for black Granite and other dark stones.

SIZE	CODE
5kg	BC.REULIN.B05
25kg	BC.REULIN.B25



REULIN M POLISHING POWDER

Premium quality polishing powder for Marble and Limestone.

SIZE	CODE
5kg	BC.REULIN.M05
25kg	BC.REULIN.M25



QUARTZ RENEW POLISHING SYSTEM PRO KIT

Repairing Engineered Stone has been a massive issue, until now! Quartz renew was developed to help achieve a factory finish on Engineered Stone. The Pro Kit includes 6 Resin Pads (50-1500 Grit), 4 Felt Diamond Pads (step 1 - 4) and the 3 Step Resin Polishes.

SIZE	CODE
Professional Kit	QR.PROKIT



QUARTZ RENEW POLISHING SYSTEM STARTER KIT

Repairing Engineered Stone has been a massive issue, until now! Quartz renew was developed to help achieve a factory finish on Engineered Stone. The Starter Kit includes a Snake Skin Revealer 80oz, a Resin Polish 80oz and a Final Polish 80oz.

SIZE	CODE
Starter Kit	QR.SKIT



QUARTZ RENEW ADDITIONAL APPLICATORS

The Applicators will need to be paired with a set of Quartz Renew Resin Polishes for best results.

SIZE	CODE
Wool Pad Applicator	QR.WOOL1
Green Foam Applicator	QR.GREEN2
White Foam Applicator	QR.WHITE3



QUARTZ RENEW RESIN POLISHES

The Resin Polishers will need to be paired with a set of Quartz Renew Applicators for best results.

SIZE	CODE
Snake Skin Revealer	QR.QR1-08
Resin Polish	QR.QR2-08
Final Polish	QR.QR3-08



SURFACE BONDER
Rapid
 High Speed Seaming Adhesive

Integra
Adhesives

**CURE
 IN HALF
 THE TIME**

Surface Bonder Rapid is developed to cure in half the time of similar products to get you on to the next job quickly.

- ✓ Fast 4-8 minute working time
- ✓ 25 standard colors
- ✓ Non-sagging, mess free formula
- ✓ High-strength bonding
- ✓ Developed for Quartz, Natural Stone and Sintered Materials
- ✓ Styrene-free



Integra Adhesives COLOUR CHART

Crystal Clear	Chameleon	Aqueous	Magic	Transparent White	Arctic White	Bright White	Snow White	Glacier White
White Linen	Pure White	White	Winter White	White Chocolate	Perfect White	Zenith	Polar White	Alabaster
Nougat	Newport Grey	White North	Cloud	Newgale Grey	Raw Silk	Pearl	Moon dust	Silver
Cinder	Geogris	Stellar Grey	Pewter	Clamshell	Raton	Seashell	Natural Grey	Oyster
Meteor Grey	Portland	Steel Grey	Quarry	Oscuro	Dorado	Thunder Grey	Iron Grey	Storm Grey
Graphite	Absolute Grey	Raven	River Rock	Dusk	Nacreto	Flint	Galaxy Black	Onyx
Transparent Black	Satin Black	Black	Espresso	Mocha	Tiffany Grey	Slate	Medea	Earth
Uba Tuba	Khaki	Desert	Beige Olimpo	Sandstone	Ginger	Sand	Bone	Antique
Cygnus Pearl	Marfil	Apricot	Brie	Champagne	Limestone	Beach	Lunar Pearl	Coastal Path

ADHESIVES

INTEGRA ADHESIVES SURFACE BONDER RAPID

Integra Adhesive's Surface Bonder Rapid is a fast, high strength, no sag adhesive that has been developed to improve production output for high volume fabrication.

PIECES PER BOX 20

SIZE	COLOUR	CODE
250ml	various pre-coloured	IA.RA####.250



INTEGRA ADHESIVES SURFACE BONDER ZERO

Perfect for stone fabrication. Surface Bonder Zero is a non sagging adhesive specifically designed for Quartz and Natural Stone products. Its non-sag properties make it ideal for mitered edges, the adhesive stays right where you put it. Surface Bonder Zero is also great for vertical applications making it an ideal adhesive for deck seam installations in the field. No drips, no mess.

PIECES PER BOX 20

SIZE	COLOUR	CODE
250ml	various pre-coloured	IA.ST####.250



INTEGRA ADHESIVES SURFACE BONDER ULTRA

Surface Bonder Ultra is a versatile adhesive for Ceramics & Sintered Stone, Natural Stone, Quartz, Glass. UV and weather stable for indoor and outdoor use. Zero yellowing, staining or bleeding.

PIECES PER BOX 20

SIZE	COLOUR	CODE
215ml	various pre-coloured	IA.SBU####.215



INTEGRA ADHESIVES ADHESIVE STATIC MIXER

Features a bayonet style mechanism for quick attachment and removal. The unique downpipe on the coaxial design keeps both the adhesive and catalyst components separate to prevent cross-contamination. Activator is split into two streams at the base of the tip vastly increasing mixing power. Squared nozzle design helps maintain a steady, even bead along the entire joint to be seamed.

PRODUCT	SIZE	CODE
Rapid / Zero	250ml	IA.SM.250
Ultra	215ml	IA.SBUSM.215
RD50	500ml	IA.SM.RD50
Substrate	200ml	IA.SBSM.200
Component	400ml	IA.SM.CB400



Integra Adhesives

INTEGRA ADHESIVES RODDING COMPOUND - RD50

The Rodding Compound RD50 provides a fast curing, low waste, labor saving adhesive for embedding rods in Granite, Marble and Engineered Stone benchtops.

PIECES PER BOX 10

SIZE	COLOUR	CODE
500ml	Transparent	IA.RD50.1.500



INTEGRA ADHESIVES SUBSTRATE BONDER

Substrate Bonder is designed to develop strong, highly flexible bonds between Solid Surfaces, Engineered Stone, Granite and the materials such as MDF, Plywood, PVC, HPL, and ABS.

PIECES PER BOX 20

SIZE	COLOUR	CODE
200ml	Straw	IA.SB.200



INTEGRA ADHESIVES COMPONENT BONDER

Composite Bonder is a premium grade, toughened Methacrylate adhesive, used to create a fast curing, strong, flexible bond to a wide variety of substrates.

PIECES PER BOX 10

SIZE	CODE
400ml	IA.COMPOND.400



INTEGRA ADHESIVES ADHESIVES DISPENSER

The Integra dispensers offers high quality features of non-drip mechanism, steel frame, powder coated finishes, plastic coated handles, thumb activated instant pressure release, wear compensation screw.

PRODUCT	SIZE	CODE
Ultra / Substrate	215ml	IA.DISP.215
Rapid / Zero	250ml	IA.DISP.250
Component	400ml	IA.DISP.400
RD50	500ml	IA.DISP.500



INTEGRA ADHESIVES ADHESIVES PNEUMATIC DISPENSER

The premiere pneumatic dispenser on the market. It's unique design makes it compatible with both our 250ml and 500ml cartridges.

SIZE	CODE
250ml & 500ml	IA.DISP.500P



ADHESIVES

Megapoxy

MEGAPOXY PF

Megapoxy PF is a rapid set epoxy adhesive which sets in three to five minutes and attains more than half its ultimate strength within 15 minutes of mixing. Megapoxy PF "hardens-as-you-hold-it" for immediate on the spot emergency repairs to tanks, pipes, machinery, concrete structures etc.

SIZE	CODE
4L	MEGAPOXY4PF
20L	MEGAPOXY20PF



MEGAPOXY PM

Megapoxy PM is specially formulated structural non-sag epoxy filling paste and adhesive. This easy to use two-part epoxy sets after mixing to an extremely durable adhesive ideal for bonding natural stone, concrete, steel, timber, glass and masonry. It's easy to use 1:1 mixing makes it suitable for onsite applications.

SIZE	CODE
4L	MEGAPOXY4PM
20L	MEGAPOXY20PM



MEGAPOXY 69

Megapoxy 69 is a translucent clear non-sag gel type epoxy. Ideal for structural bonding of metals to metals, metals to concrete and masonry, assembly of Natural Stone fabrications, and many other civil engineering applications requiring superior bond strengths. It retains its high strength after repeated high impact forces.

SIZE	CODE
4L	MEGAPOXY694PM
20L	MEGAPOXY6920PM



MEGAPOXY HX EPOXY RESIN

Megapoxy HX is a Solvent Free and Hydrophilic Extra Low Viscosity Epoxy Resin. Recent advances in epoxy resin technology enabled the development of very low viscosity 100% reactive epoxy resin system for repair of cracked concrete by gravity penetration or low pressure injection.

SIZE	CODE
4L	MEGAPOXYHX4



MEGAPOXY PF GEL

Megapoxy PF is a rapid set epoxy adhesive which sets in three to five minutes and attains more than half its ultimate strength within 15 minutes of mixing. Megapoxy PF "hardens-as-you-hold-it" for immediate on the spot emergency repairs to tanks, pipes, machinery, concrete structures etc.

SIZE	CODE
4L	MEGAPOXYPFGEL



Superior

SUPERIOR GOLD

Superior GOLD is a revolutionary and unique adhesive perfectly suited for use on nearly all stone surfaces both indoors and outdoors. Superior GOLD is very light/white (pearlescent/translucent) in colour making it ideal for invisible joints, especially on light/white coloured stones. UV resistant. Ideal for Natural Stone, Sintered Stone, Quartz Surface, Solid Surface and more!

VISCOSITY	SIZE	CODE
GV1	1L	SUPGV101
GV1	4L	SUPGV104
GV1	20L	SUPGV120
GV5	1L	SUPGV501
GV5	4L	SUPGV504
GV5	20L	SUPGV520
GV9	1L	SUPGV901
GV9	4L	SUPGV904
GV9	20L	SUPGV920



PIECES PER BOX 1L - 6, 4L - 2

SUPERIOR PEARL

Superior PEARL is very light / white (pearlescent) in color making it ideal for invisible joints, especially on light/white colored stones. Perfect for seaming, laminating and chip repair on all types of natural and engineered stone.

VISCOSITY	SIZE	CODE
PV5	1L	SUPPV501
PV5	4L	SUPPV504
PV5	20L	SUPPV520
PV9	1L	SUPPV901
PV9	20L	SUPPV920



PIECES PER BOX 1L - 6, 4L - 2

SUPERIOR FUSION

Superior FUSION is a blend of Vinyl Ester and Modified Acrylic adhesive technology. Perfect for seaming, mitring, laminating and chip repair. Ideal for Natural Stone, Sintered Stone, Quartz Surface, Solid Surface and more!

VISCOSITY	SIZE	CODE
FV5	1L	SUPFV501
FV5	4L	SUPFV504

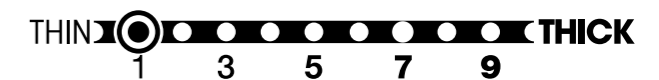


PIECES PER BOX 1L - 6, 4L - 2

Superior VISCOSITY CHART

FLOWING

Superior Gold GV1 is a flowing grade adhesive. The below scale is used to illustrate the viscosity of this adhesive.



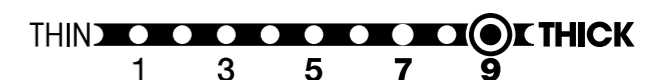
KNIFE GRADE

Superior Gold GV5, Pearl PV5 & Fusion FV5 are knife grade adhesive. The below scale is used to illustrate the viscosity of this adhesive.



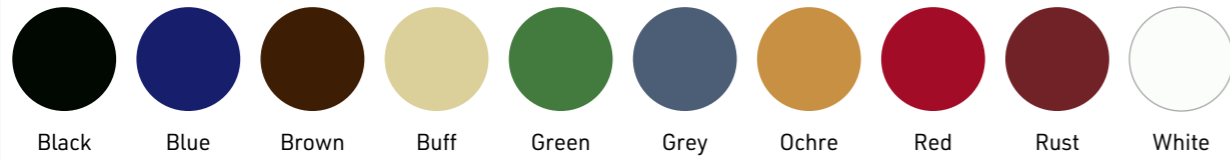
THICK KNIFE GRADE

Superior Gold GV9 & Pearl PV9 are thick knife grade adhesive. The below scale is used to illustrate the viscosity of this adhesive.



ADHESIVES

Superior COLOUR CHART



SUPERIOR COLOUR PASTE

Superior Coloring Paste is technologically advanced. Using unique resin technology, this color paste ensures you get a true color match and longer shelf life. The color you create will be the same after the adhesive has cured. Features a unique resin technology for a true color match, longer shelf life, as well as, available in 10 different colors.

SIZE	COLOUR	CODE
60ml	Black	SUPCOLBLK60
60ml	Blue	SUPCOLBLU60
60ml	Brown	SUPCOLBRN60
60ml	Buff	SUPCOLBUF60
60ml	Green	SUPCOLGRN60
60ml	Ochre	SUPCOLOCH60
60ml	Red	SUPCOLRED60
60ml	Rust	SUPCOLRST60
60ml	White	SUPCOLWHT60



SUPERIOR COLOUR PASTE KIT

Superior Coloring Paste kit in assorted colours.

PIECES PER BOX 10

SIZE	COLOUR	CODE
60ml	assorted colours	SUPCOLAST60



SUPERIOR PASTE HARDENERS

Extra paste hardeners for polyester and acrylic-based adhesive products. Available in 30ml and 120ml tubes, this white paste serves as the catalyst that accelerates the chemical reactions.

SIZE	CODE
30ml	SUPBPO030
120ml	SUPBPO120



TENAXO

TENAX SOLID BIANCO

Thixotropic knife-grade mastic with high viscosity for gluing and grouting of Marble, Onyx and Stone in horizontal and vertical in a white colour. Excellent adhesion on Marble, Stone and Engineered Stone. Excellent reactivity at low temperatures. Contains very quantities of VOC. Colourable with Tenax Colour Pastes.

PIECES PER BOX 1L - 6, 4L - 4

SIZE	COLOUR	CODE
1L	White	TNXBIANS1.0
4L	White	TNXBIANS4.0
17L	White	TNXBIANS17.0

Ratio of mastic + hardener	100 + 2/3
Gel time (in bulk at 25°)	4-5 min
Tacky free (in thin layer at 25°)	25-30 min



TENAX SOLID BIANCO 2

Polyester resin adhesive is a pre-coloured white adhesive paste used for glueing and repairing Stone. Extra white. Thixotropic knife-grade mastic with high viscosity for gluing and grouting of Marble, Onyx and Stone in horizontal and vertical. Excellent adhesion on Marble, Stone and Engineered Stone. Excellent reactivity at low temperatures. Contains low quantities of VOC.

PIECES PER BOX 1L - 6

SIZE	COLOUR	CODE
1L	White	TNXBIA2S1.0
17L	White	TNXBIA2S17.0

Ratio of mastic + hardener	100 + 2/3
Gel time (in bulk at 25°)	4-5 min
Tacky free (in thin layer at 25°)	25-30 min



TENAX SOLID NERO

Highly concentrated, black paste wax designed to increase the brilliance of glossy surfaces. Excellent water/oil repellent properties. No yellowing in UV. No surface films. Food safe

PIECES PER BOX 6

SIZE	COLOUR	CODE
1L	Black	TNXBLKS1.0

Ratio of mastic + hardener	100 + 2/3
Gel time (in bulk at 25°)	4-5 min
Tacky free (in thin layer at 25°)	25-30 min



TENAX MARBLE SUPER TRANSPARENT

Extra-clear knife-grade glue, good thixotropy and very smooth. The glue is used to laminate, bond, repair and fill Marble and Engineered Stones. Excellent colour stability. Excellent reactivity at low temperatures. Contains low quantities of VOC. Great for White Marble/Onyx.

PIECES PER BOX 6

SIZE	COLOUR	CODE
1L	Transparent	TNXMSTS1.0

Ratio of mastic + hardener	100 + 2/3
Gel time (in bulk at 25°)	3-6 min
Tacky free (in thin layer at 25°)	1-1.5 hour



ADHESIVES

TENAX SOLID COLOURMATCH

Thixotropic knife-grade mastic with high viscosity for gluing and grouting of Marble, Onyx and Stone in horizontal and vertical. Excellent adhesion on Marble, Stone and Engineered Stone. Excellent reactivity at low temperatures. Contains low quantities of VOC.

PIECES PER BOX 6

SIZE	COLOUR	CODE
1L	Pure White	TNX1141S1.0
1L	Snow	TNX2141S1.0
1L	Desert Limestone	TNX2200S1.0
1L	Latte	TNX2350S1.0
1L	Cashmere	TNX2370S1.0
1L	Champagne Limestone	TNX2400S1.0
1L	Osprey	TNX3141S1.0
1L	Mink	TNX4350S1.0
1L	Ice Snow	TNX9141S1.0
1L	Almond Rocca	TNX9241S1.0



Ratio of mastic + hardener	100 + 2/3
Gel time (in bulk at 25°)	4-5 min
Tacky free (in thin layer at 25°)	25-30 min

TENAX SOLID BEIGE

Thixotropic knife-grade mastic with high viscosity for gluing and grouting of Marble, Onyx and Stone in horizontal and vertical. Excellent adhesion on Marble, Stone and Engineered Stone. Excellent reactivity at low temperatures. Contains low quantities of VOC.

PIECES PER BOX 6

SIZE	COLOUR	CODE
1L	Beige	TNXSOLS1.0

Ratio of mastic + hardener	100 + 2/3
Gel time (in bulk at 25°)	4-5 min
Tacky free (in thin layer at 25°)	25-30 min



TENAX LIQUID TRANSPARENT

Liquid mastic with medium viscosity suitable for gluing and grouting of Marble, Onyx and Stone in horizontal. Excellent adhesion on Marble and Stone. Good reactivity at low temperatures. Contains low quantities of VOC.

PIECES PER BOX 6

SIZE	COLOUR	CODE
1L	Transparent	TNXTRL1.0

Ratio of mastic + hardener	100 + 2/3
Gel time (in bulk at 25°)	3-4 min
Tacky free (in thin layer at 25°)	15-20 min



TENAX TRANSPARENT SOLID

Amber coloured transparent adhesive paste used for gluing and repairing Stone. Thixotropic knife-grade mastic with high viscosity for gluing and grouting of Marble, Onyx and Stone in vertical.

PIECES PER BOX 1L - 6, 4L - 4

SIZE	COLOUR	CODE
1L	Transparent	TNXTRS1.0
4L	Transparent	TNXTRS4.0
17L	Transparent	TNXTRS17.0

Ratio of mastic + hardener	100 + 2/3
Gel time (in bulk at 25°)	3-4 min
Tacky free (in thin layer at 25°)	15-20 min



TENAX TITANIUM VINYLESTER

Tenax Titanium has been developed with the latest Vinyl Ester technology. Titanium is ideal for seaming, laminations, miter cuts, chip repair on all Granite, Marbles, Quartz and Quartzite materials. Titanium is superb on white and light colored marble, Quartz and Quartzite materials. Takes color very well for darker stones.

PIECES PER BOX 12

SIZE	COLOUR	CODE
1L	Transparent	TNXTITANS1.0

Ratio of mastic + hardener	100 + 2/3
Gel time (in bulk at 25°)	4-6 min
Tacky free (in thin layer at 25°)	18-20 min



TENAX UNIVERSAL COLOURS

Universal colour pastes for polyester resin and epoxy systems.

- Easy to mix
- Universal colouring

COLOUR	SIZE	CODE
Black	75ml	TNXUNIBLA.075
Black	300ml	TNXUNIBLA.300
Blue	75ml	TNXUNIBLU.075
Brown	75ml	TNXUNIBRO.075
Green	75ml	TNXUNIGRE.075
Red	75ml	TNXUNIRED.075
White	75ml	TNXUNIWHI.075
White	300ml	TNXUNIWHI.300
Yellow	75ml	TNXUNIYEL.075



TENAX UNIVERSAL COLOURS KIT

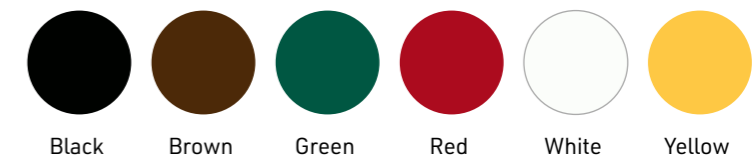
Universal colour pastes for polyester resin and epoxy systems.

- Easy to mix
- Universal colouring
- Available individually or in a set: Black, Brown, White, Yellow, Red and Green

COLOUR	CODE
Assorted	TNXUNICOL6



COLOUR CHART



TENAX HARDENER FOR POLYESTER

Hardener paste to be used together with pre-coloured polyester resin adhesive.

SIZE	CODE
45g	TNXHARD.45
180g	TNXHARD.180



TENAX CRYSTAL LIQUID HARDENER

Hardener liquid to be used together with Marble Super Transparent adhesive.

SIZE	CODE
1L	TNXHCRYL0.50



ADHESIVES

TENAX DOMO 10

Epoxy bi-component glue is extra strong, in thixotropic paste. Suitable for gluing and joining Marble, Granite and other Natural Stone. Features high adhesion, weather resistance and can be applied to wet surfaces.

PIECES PER BOX 3

SIZE	COLOUR	CODE
1L	Transparent	TNXDOM2.0

Ratio of mastic + hardener	1 + 1
Gel time (in bulk at 25°)	Approx. 2.5 hours
Tacky free (in thin layer at 25°)	Approx 4 hours



TENAX EPOXY GEL

Epoxy bi-component glue, in thixotropic transparent paste. Suitable for gluing and joining Marble, Granite and other Natural Stone. Recommended for outdoor application as it features weather resistance and excellent adhesion.

PIECES PER BOX 3

SIZE	COLOUR	CODE
1L		TNxEPOXYGEL

Ratio of mastic + hardener	2 + 1
Gel time (in bulk at 25°)	5-7 min
Tacky free (in thin layer at 25°)	70 min



TENAX EPOXYGRES

Extra strong solid epoxy glue. For use on Neolith, Dekton and other Sintered Stone Surfaces. Features a high mechanical strength, weather resistance and can be applied to damp surfaces.

PIECES PER BOX 3

SIZE	COLOUR	CODE
1L		TNXEPOXYGRES

Ratio of mastic + hardener	1 + 1
Gel time (in bulk at 25°)	Approx. 2.5 hours
Tacky free (in thin layer at 25°)	Approx 4 hours



TENAX RIVO 15

Epoxy bi-component glue, in thixotropic paste. Suitable for gluing and join Marble, Granite and other Natural Stone with very good adhesion. Recommended for metal-stones, concrete-metal, ceramic-stone, stone-honeycomb panel.

SIZE	COLOUR	CODE
500ml		TNXRIVO15

Ratio of mastic + hardener	1 + 1
Gel time (in bulk at 25°)	15-20 min
Tacky free (in thin layer at 25°)	Approx. 2 hours



SURFACE EMBELLISHMENT

TENAX AGER

Wet look colour enhancer. Water and oil resistant suitable for Marble, Travertine, Granite and Engineered Stone. No yellowing to sunlight, no surface films and anti-graffiti. Excellent water/oil repellent properties.

PIECES PER BOX 12

SIZE	COLOUR	CODE
1L	Transparent	TNXAGER1.0



TENAX GEAR

Colour enhancing penetrating sealer. Water and oil resistant suitable for Marble, Travertine, Granite and Engineered Stone. Food safe, ideal for kitchens. Features a wet look and does not change colour with UV.

PIECES PER BOX 12

SIZE	COLOUR	CODE
1L	Transparent	TNXGEAR1.0



TENAX HYDREX

Hydrex is a penetrating sealer (water and oil proof) for polished marbles like: Carrara, Thassos, Trani, Botticino, Marfill and similar stones. Does not change the colour of the stone. Remains permeable to vapours letting materials breath and keeping their characteristics unchanged.

PIECES PER BOX 12

SIZE	COLOUR	CODE
1L	Transparent	TNXHYD1.0



TENAX LIQUID WAX

Highly concentrated liquid wax designed to increase the brilliance of glossy surfaces. Features a strong penetration and is very quick to dry.

PIECES PER BOX 12

SIZE	COLOUR	CODE
1L	Transparent	TNXLIQWX1.0



SURFACE EMBELLISHMENT

TENAX NERO PLUS

Black liquid wax for darkening and increasing polish on black granite.

PIECES PER BOX 12

SIZE	COLOUR	CODE
1L	Transparent	TNXNEROPLUS



TENAX SOILD WAX

Pre-coloured adhesive paste used for gluing and repairing Engineered Stone. Thixotropic knife-grade mastic with high viscosity for gluing and grouting of Marble, Onyx and Stone in horizontal and vertical. Excellent for Caesarstone. Excellent reactivity at low temperatures and contains low quantities of VOC.

PIECES PER BOX 12

SIZE	COLOUR	CODE
1L	Transparent	TNXSOLWX1.0



TENAX UNI BLACK 2

Black coloured liquid wax designed to increase black effect on polished Granite without enhancing gloss. Can be applied manually or with waxing machine. Restores blackness on worn material.

PIECES PER BOX 12

SIZE	COLOUR	CODE
1L	Black	TNXUNIBLACK2



TENAX JET SPRAY

Autopolish varnish to grant polished effect to smooth or raw Marble, Granite, Onyx and Engineered Stone. Creates a glossy film on the surface. Internal use only and not suitable for floors.

PIECES PER BOX 12

SIZE	COLOUR	CODE
500ml	Transparent	TNXJTSP0.5



Lithofin®



Original Lithofin Factory © 1953

LITHOFIN'S 70TH ANNIVERSARY!

GERMAN QUALITY PROVEN FOR OVER 70 YEARS

COMBINING THE LATEST TECHNOLOGY AND MATERIALS CREATING THE BEST CARE PRODUCTS FOR YOUR PRECIOUS SURFACES

Lithofin products were first developed by Glaubrecht Stingel in Stuttgart, Germany in 1953. Today, Lithofin is expertly guided by grandson Garvin Stingel developing Lithofin into a worldwide market leader.

Celebrating 70 years, Lithofin's standard applies to the product quality on the one hand, and to the service quality on the other. The satisfied customer is at the heart of all Lithofin's activities.

Today, Lithofin boasts a full range of specialised cleaners, sealers, problem solvers and maintenance products for natural and engineered stone, ceramic and porcelain tiles, compact sintered surfaces and external pavers used by both professionals and homeowners.

To see the full Lithofin range or to locate your nearest reseller, visit:

www.lithofin.com.au



Lithofin MN Power-Clean

DISCOVER THE FULL LITHOFIN RANGE OF PROFESSIONAL STONE & TILE CARE PRODUCTS TODAY!

CLEANING, PROTECTION, MAINTENANCE

LITHOFIN WAX-OFF

Wax and Oil Remover.
Product type: solvent based cleaner

Removes layers of wax, silicone, sealants, tar, oil stains, lacquer and glue. Deposits are dissolved and can then be washed off with water.

- Ready-to-use
- Deep acting
- Leaves no residues

SIZE	CODE
1L	LFWAXOFF01

COVERAGE	STORAGE
Approx. 7 to 15 m ² /L	Closed, cool, dry, up to 4 years

PIECES PER BOX	1L - 10
----------------	---------



LITHOFIN OIL-EX

Oil-Stain Remover.
Product type: solvent based cleaner

Removes stubborn grease and deep oil staining from natural and engineered stone. Also for removal of discoloration on peripheral zones in case of silicon joints and for removal of stubborn wax.

- Gel allows longer working times
- Very economical
- Easy-to-apply gel

SIZE	CODE
250ml - tube	LFOILEX250

COVERAGE	STORAGE
Approx. 0.5 m ² /tube	Closed, cool, up to 2 years

PIECES PER BOX	250ml - 10
----------------	------------



LITHOFIN RUST-EX

Non-Acidic Rust Stain Remover.
Product type: mildly alkaline cleaner

Removes rust stains and discoloration from tiles, natural and concrete stone.

- Can be used on single spots
- Fast acting
- For interior and exterior use

SIZE	CODE
500ml	LFRUSTEX0.5

COVERAGE	STORAGE
Approx. 10 m ² /L	Closed, cool, dark, up to 1 year

PIECES PER BOX	250ml - 10
----------------	------------



LITHOFIN RESIN-EX

Special Stripper Gel.
Product type: acid and solvent based cleaner

Removes all residues of epoxy-grout and similar blemishes such as resins, sealants, oil and grease deposits, paint (graffiti), plastic residues, etc. Suitable for ceramics and all rough natural and artificial stones.

- Gel-like, easy to use
- Does not leave streaks
- Highly active

SIZE	CODE
1 L	LFRESINEX01
5 L	LFRESINEX05

COVERAGE	STORAGE
Approx. 5m ² /L	Closed, cool, up to 2 years

PIECES PER BOX	1L - 10, 5L - 2
----------------	-----------------



Lithofin®

LITHOFIN ALGEX

Special Cleaner for outdoor areas.
Product type: mildly alkaline special cleaner

Removes common dirt and slippery green deposits from terraces, steps, paths, walls, etc. Quarry tiles, stone, concrete, plaster and wood are thoroughly cleaned and brightened up.

- Concentrate - 1 L for up to 200 m²
- Self acting and preventive
- Easy and safe to use

SIZE	CODE
1L	LFALGEX01

COVERAGE	STORAGE
Approx. 30 to 200 m ² /L	Closed, cool, up to 5 years

PIECES PER BOX	1L - 10
----------------	---------



LITHOFIN STAINSTOP >W<

Water Based Special Impregator.
Product type: water based protective impregator

This solvent free impregator effectively protects surfaces against the penetration of oil, grease, dirt and water and prevents staining. Facilitates care on all absorbent stain sensitive surfaces.

- Invisible, matte
- Effective for many years
- Odourless

SIZE	CODE
1L	LFSTNSTW01
5L	LFSTNSTW05
10L	LFSTNSTW10
20L (2x 10L)	LFSTNSTW20

COVERAGE	STORAGE
Approx. 10 to 20 m ² /L	Closed, cool, up to 2 years

PIECES PER BOX	1L - 10, 5L - 2, 10L - 2, 20L - 1
----------------	-----------------------------------



LITHOFIN STAINSTOP PLUS

Impregator plus colour intensifier.
Product type: solvent based protective impregator

Makes absorbent stone surfaces more vivid in colour and at the same time makes the surface water and oil repellent thereby largely preventing staining.

- No gloss
- Long-term effect
- Breathable

SIZE	CODE
1L	LFSTNSTPLUS01
5L	LFSTNSTPLUS05
10L	LFSTNSTPLUS10
20L (2x 10L)	LFSTNSTPLUS20

COVERAGE	STORAGE
Approx. 6 to 15 m ² /L	Closed, cool, dry, up to 2 years

PIECES PER BOX	1L - 10, 5L - 2, 10L - 2, 20L - 1
----------------	-----------------------------------



CLEANING, PROTECTION, MAINTENANCE

LITHOFIN KF CEMENT RESIDUE REMOVER

Product type: acidic cleaner

For interior and exterior use on ceramic surfaces such as fully vitrified tiles, quarry tiles, clay pavers, etc. Effortlessly removes cement and mortar residues, rust, lime, efflorescence and other hardened dirt layers.

- Concentrate - very high yield
- Acts rapidly
- Hardly any odour

SIZE	CODE
1L	LFKCRR01
5L	LFKCRR05

COVERAGE	STORAGE
Approx. 20 to 30 m ² /L	Closed, cool, up to 4 years

PIECES PER BOX	1L - 10, 5L - 2
----------------	-----------------



LITHOFIN KF INTENSIVE CLEANER

Product type: alkaline cleaner

For occasional thorough cleaning or for regular cleaning of floors subjected to heavy wear. Removes stubborn dirt, oil and grease. Suitable for all ceramic finishes.

- Concentrate - high yield
- Extra strong
- Highly active

SIZE	CODE
1L	LFKINTCLN01
5L	LFKINTCLN05

COVERAGE	STORAGE
10 to 15 m ² /L as base cleaner, up to 100 m ² diluted	Closed, cool, up to 5 years

PIECES PER BOX	1L - 10, 5L - 2
----------------	-----------------



LITHOFIN KF STAIN-STOP

Product type: water based protective impregnator

For initial treatment of new floors with polished and sensitive surfaces. Prevents penetration of water and oil, protects against stains and dirt, and makes maintenance easier.

- Ideal for polished porcelain tiles
- Ready for use
- Odourless and invisible

SIZE	CODE
1L	LFKSTNST01

COVERAGE	STORAGE
Up to 50 m ² /L	Closed, cool, frostfree, up to 3 years

PIECES PER BOX	1L - 10
----------------	---------



LITHOFIN KF VITRA-CLEAN

Product type: mildly alkaline maintenance product

For continuous care of floors subjected to normal levels of wear. Cleans and maintains rough and polished surfaces streak-free making them even more attractive.

- Concentrate - very high yield
- Also for polished surfaces
- Does not form layers

SIZE	CODE
1L	LFKVITCLN01

COVERAGE	STORAGE
Use one squirt (ca. 20 ml) per 10 L bucket of water	Closed, cool, up to 5 years

PIECES PER BOX	1L - 10
----------------	---------



Lithofin®

LITHOFIN KF ACTIVE-CLEAN

Product type: acidic cleaner

For the regular maintenance of bathrooms and toilet areas, promoting shine and hygienic cleanliness. Removes lime scale, rust, grease deposits and soap scum from baths and showers. Cleans chrome, ceramics, stainless steel etc. Not for acid-sensitive surfaces.

- Concentrate - very high yield
- Self-acting
- Pleasant odour

PIECES PER BOX	1L - 10
----------------	---------

SIZE	CODE
1L	LFKACTCLN01

COVERAGE	STORAGE
Up to 100 m ² /L	Closed, cool, up to 5 years



LITHOFIN KF MILDEW-AWAY

Product type: chlorine based cleaner

Removes black spots, mould, fungus, algae and other organic discolorations in sanitary areas. Effective on tiles, silicon and cement joints, on plaster, stone and masonry.

- Ready-to-use
- Easy to use
- Acts rapidly

PIECES PER BOX	500ml - 10
----------------	------------

SIZE	CODE
500 ml	LFKMILDAW0.5

COVERAGE	STORAGE
Approx. 6 m ² /L	Closed, cool, dark, up to 1 year



LITHOFIN KF GROUT PROTECTOR

Product type: water based protective impregnator

For grout in ceramic surfaces. Protects against greasy dirt and spots in kitchen and bathroom, and makes maintenance easier.

- Ready for use
- Invisible
- Long-term effect

PIECES PER BOX	500ml - 10
----------------	------------

SIZE	CODE
500 ml	LFKGPRO0.5

COVERAGE	STORAGE
Up to 5 m ² /500 ml	Closed, cool, frostfree, up to 2 years



CLEANING, PROTECTION, MAINTENANCE

LITHOFIN MN POWER-CLEAN

Product type: alkaline cleaner

For thorough cleaning in case of severe general and greasy dirt, residues of floor care products, etc. For regular cleaning of high-traffic and outdoor areas such as shopping centres and food courts. For final cleaning of new surfaces at building sites.

- Concentrate - high yield
- Highly effective
- Low on solvents and odour

PIECES PER BOX	500ml - 10, 1L - 10, 5L - 2, 10L - 2
----------------	--------------------------------------

SIZE	CODE
500ml	LFMPWRCLN0.5
1L	LFMPWRCLN01
5L	LFMPWRCLN05
10L	LFMPWRCLN10

COVERAGE	STORAGE
Approx. 10 to 30 m ² /L	Closed, cool, up to 3 years



LITHOFIN MN BUILDERS' CLEAN

Product type: acidic cleaner

Cleans Granite, Gneiss, Quartzite and other Natural and Engineered stones. Removes cement films, stubborn dirt residues, blooms, efflorescence, rust and rust discolorations. Also acts to prevent rust in hard stones containing iron. Not suitable for polished Marble, Limestone etc.

- Concentrate - high yield
- Very strong
- Prevents rust

PIECES PER BOX	1L - 10, 5L - 2, 10L - 2
----------------	--------------------------

SIZE	CODE
1L	LFMBLDCLN01
5L	LFMBLDCLN05
10L	LFMBLDCLN10

COVERAGE	STORAGE
Approx. 30 to 50 m ² /L	Closed, cool, up to 5 years



LITHOFIN MN OUTDOOR CLEANER

Product type: chlorine based cleaner

Removes stubborn dirt deposits, mould, green deposits, and stains caused by trees from all natural and concrete surfaces. Natural stone and concrete pavers, walls, paths, etc. are immediately restored to their original finish.

- Highly effective
- Fast acting
- Acid free

PIECES PER BOX	1L - 10
----------------	---------

SIZE	CODE
1L	LFMOUTCLN01

COVERAGE	STORAGE
Up to 15 m ² /L	Closed, cool, dark, up to 1 year

* Use biocides safely. Always read the label and product information before use.



Lithofin®

LITHOFIN MN STAIN-STOP

Product type: solvent based protective impregnator

This special impregnator optimally protects absorbent, stain-sensitive Natural and Engineered Stone surfaces against staining. Largely prevents penetration of oil, grease and water and makes further maintenance easier.

- Poses no health concerns once dry
- Ready to use
- Effective for many years

PIECES PER BOX	500ml - 10, 1L - 10, 5L - 2, 10L - 2, 20L - 1
----------------	---

SIZE	CODE
500ml	LFMSTNST0.5
1L	LFMSTNST01
5L	LFMSTNST05
10L	LFMSTNST10
20L	LFMSTNST20

COVERAGE	STORAGE
Approx. 7 to 15 m ² /L	Closed, cool, dry, up to 3 years



LITHOFIN MN STAIN-STOP >ECO<

Product type: water based protective impregnator

This ready-to-use special impregnator is water based and nearly odourless. It has been developed specifically for absorbent limestone. The easy to apply treatment ensures the ultimate protection against water and oil stains and facilitates everyday maintenance.

- Low on odour
- For indoor and outdoor use
- Does not change the appearance

PIECES PER BOX	1L - 10, 5L - 2
----------------	-----------------

SIZE	CODE
1L	LFMSTNSTE01
5L	LFMSTNSTE05

COVERAGE	STORAGE
Approx. 4 to 8 m ² /L	Closed, cool, frostfree, up to 3 years



LITHOFIN MN COLOUR INTENSIFIER

Product type: solvent based protective impregnator

Improves the appearance of rough, absorbent Natural and Concrete Stone Surfaces. Enhances the colour, accentuates the structure, and makes water and dirt repellent.

- No gloss
- Can be applied several times
- Ideal for concrete slabs and pavers

PIECES PER BOX	1L - 10, 5L - 2, 10L - 2
----------------	--------------------------

SIZE	CODE
1L	LFMCLRINT01
5L	LFMCLRINT05
10L	LFMCLRINT10

COVERAGE	STORAGE
Approx. 7 to 15 m ² /L	Closed, cool, dry, up to 4 years



CLEANING, PROTECTION, MAINTENANCE

LITHOFIN MN EASY-CARE

Product type: mildly alkaline maintenance product

Developed for continuous care of all types of stone surfaces. Cleans, enhances and maintains the surface in one action. Coarse and polished surfaces become increasingly beautiful and richer in colour and structure with regular use. Ideal for imregnated or sealed surfaces.

- Concentrate - very high yield
- Does not form layers
- Non-bleaching

PIECES PER BOX 1L - 10, 5L - 2

SIZE	CODE
1L	LFMECARE01
5L	LFMECARE05

COVERAGE	STORAGE
Use one squirt (ca. 20 ml) per 10 L bucket of water	Closed, cool, up to 5 years



LITHOFIN MN BATHROOM CLEANER

Product type: mildly alkaline cleaner

For easy and safe cleaning of natural stone shower areas, removing soap and dirt residues.

- Ready to use: spray, wipe, done
- Acid-free
- Suitable for marble and limestone

PIECES PER BOX 500ml - 10, 1L - 10

SIZE	CODE
500ml	LFMBATHCLN0.5
1L	LFMBATHCLN01

COVERAGE	STORAGE
Approx. 50 m2/ litre	Closed, cool, dry, up to 3 years



LITHOFIN MN POLISH (LIQUID WAX)

Product type: solvent based protective wax

For occasional freshening up and polishing of stone surfaces, provides gloss and protection. Maintains the beautiful appearance of all polished surfaces.

- Easy to polish
- For indoor use only
- Ready-to-use

PIECES PER BOX 1L - 10

SIZE	CODE
1L	LFMPOLLIQ01

COVERAGE	STORAGE
Approx. 10-20 m2/L	Closed, cool, dry, up to 3 years



Lithofin®

LITHOFIN MN POLISH (CREAM)

Product type: waterbased protective wax

For enhancing and polishing stone surfaces, provides gloss and protection. Takes care of all polished surfaces, and maintains their beautiful appearance.

- Easy to polish
- High yield
- Ready-to-use

PIECES PER BOX 150ml - 10, 500ml - 10

SIZE	CODE
150 ml	LFMPOLCRM150
500 ml	LFMPOLCRM500

COVERAGE	STORAGE
Approx. 40 m2/L	Closed, cool, dry, up to 2 years



LITHOFIN MN EASY-CLEAN

Product type: mildly alkaline cleaner

For every-day cleaning of small stone surfaces such as kitchen benchtops, tabletops, bathroom vanity tops and wall tiles. Enhances the appearance of the stone and leaves a pleasant odour.

- Easy to polish
- High yield
- Ready-to-use

PIECES PER BOX 500ml - 10, 1L - 10

SIZE	CODE
500 ml	LFMECLNS0.5
1L	LFMECLNR01



CLEANING, PROTECTION, MAINTENANCE

LITHOFIN BERO

Rust Remover and Stone Cleaner.
Product type: acidic cleaner

For permanent removal of rust and rust discoloration, especially for ferrous hard stones, and for removal of cement film, grinding dust etc.

- Concentrate
- Contains acid

PIECES PER BOX 1L - 10

SIZE	CODE
1L	LFBERO01

COVERAGE	STORAGE
Up to 50 m ² /L	Closed, cool, up to 5 years



LITHOFIN ASR

Alkaline Special Remover.
Product type: highly alkaline cleaner

For removing stubborn dirt deposits, grease, oil, wax, polymer layers, etc. Cleans and degreases ceramic tiles, stone, slabs, etc.

- Concentrate
- Highly effective

PIECES PER BOX 1L - 10, 5L - 2

SIZE	CODE
1L	LFASR01
5L	LFASR05

COVERAGE	STORAGE
Up to 100 m ² /L	Closed, cool, up to 5 years



LITHOFIN NANOTOP

High performance Impregnator.
Product type: solvent based protective impregnator

Excellent water and oil repellence on all absorbent natural and concrete stones. Optimal protection for kitchen work tops, tables, vanity tops and similar surfaces.

- Easy and fast to apply
- Does not form layers, resistant to scratching

PIECES PER BOX 1L - 10, 5L - 2

SIZE	CODE
1L	LFNANOTOP01
5L	LFNANOTOP05

COVERAGE	STORAGE
10 to 20 m ² /L	Closed, cool, dry, up to 2 years



LITHOFIN FVE

Colour Enhancer extra.
Product type: solvent based protective impregnator

Fast drying impregnator for dark natural stones with polished, honed, brushed and similar surface finishes. Protects kitchen work tops and other small workpieces against water and oil stains. Intensifies the colour without altering the natural structure of the stone.

- Extreme colour intensification
- Fast drying

PIECES PER BOX 1L - 10

SIZE	CODE
1L	LFFVE01

COVERAGE	STORAGE
Approx. 20 to 40 m ² /L	Closed, cool, dry, up to 2 years



Lithofin®

LITHOFIN PRO

Professional Impregnator.
Product type: water based protective impregnator

Protects all absorbent surfaces. Prevents oil and water borne staining and reduces the growth of mildew and algae.

- Easy to apply
- Invisible but permanent effect

PIECES PER BOX 5L - 2, 10L - 2, 20L - 1

SIZE	CODE
5L	LFPRO05
10L	LFPRO10
20L	LFPRO20

COVERAGE	STORAGE
Approx. 20 m ² /L on natural stone; up to 40 m ² /L on porcelain tiles	Closed, cool, dry, frost-free, approx. 12 months



LITHOFIN MPP

Marble polishing powder.
Product type: Oxalic acid

For restoring dull areas and renewing the natural polish of calcium-containing natural stone i.e. Marble, Limestone, etc. Can be machine-polished to high gloss. Not suitable for Granite, Gneiss and similar hard stones.

- No fumes
- Based on oxalic acid

PIECES PER BOX 1L - 10

SIZE	CODE
750g	LFMPP750

COVERAGE	STORAGE
Up to 40 m ² /kg	Closed, cool, dry, up to 4 years



LITHOFIN CARE KIT BE

For cleaning, sealing and maintaining natural stone kitchen benchtops, tables and vanities.

PIECES PER BOX 5

SIZE	CODE
3 products	LFKITBE

- Contains:
- Lithofin MN Easy-Clean 500ml spray
 - Lithofin MN Stain-Stop 250ml
 - Lithofin MN Power-Clean 500ml.



LITHOFIN CARE KIT COMPACT

For everyday cleaning of all stone kitchen benchtops, tables, vanities and wall tiles. Hygienically cleans the surface, streak free finish, easy-to-use, conditions stone surfaces and preserves applied impregnating's sealers.

PIECES PER BOX 10

SIZE	CODE
2 products	LFKITTEC

- Contains:
- 500 ml Lithofin MN Easy-Clean
 - 1 litre Lithofin MN Easy-Clean refill
 - Microfiber cleaning cloth



LITHOFIN CARE KIT PE

For cleaning, polishing and maintaining polished natural stone kitchen benchtops, tables and vanities.

PIECES PER BOX 5

SIZE	CODE
3 products	LFKITPE

- Contains:
- Lithofin MN Easy-Clean 500ml spray
 - Lithofin MN Power-Clean 500ml
 - Lithofin MN Polish Cream 150ml
 - Microfiber cleaning cloth



CLEANING, PROTECTION, MAINTENANCE

GREEN BY LITHOFIN DAILY CARE CLEANER

A cleaner concentrate formulated with natural, plant-based ingredients. Suitable for all floors and leaves a streak-free finish. Green by Lithofin Daily Care Cleaner is suitable for use on all water-resistant floor surfaces including fine Stoneware, Ceramics, Glazed Tiles, Glass Mosaic as well as polished surfaces.

PIECES PER BOX 1L - 10

SIZE	CODE
1L	LFGDCCLN01



GREEN BY LITHOFIN DEEP CLEANER

An ideal product for powerful yet sustainable general cleaning, both indoors and outdoors. It can be used on all waterproof floor surfaces, stone and tiles for thorough cleaning. Suitable for removing of common dirt as well as greasy/oily staining. Also suitable for removing floor care residues and water-based sealants.

PIECES PER BOX 1L - 10

SIZE	CODE
1L	LFGDEEPCLN01



GREEN BY LITHOFIN MULTI SURFACE CLEANER

Suitable for tiles, stone and all water-resistant surfaces throughout the house. Green by Lithofin Multi Surface Cleaner removes dirt and leaves a streak-free finish on natural stone surfaces, ceramics, plastic, high-gloss kitchen fronts, stainless steel, faucets, mirrors, glass, windshields, polished and unpolished surfaces.

PIECES PER BOX 500ml - 10

SIZE	CODE
500ml	LFGMSCLN0.5



GREEN BY LITHOFIN SANITARY CLEANER

Green by Lithofin Sanitary Cleaner is formulated with natural, organic acids and removes limescale stains, soap residues and lime deposits in the bathroom and shower. Green by Lithofin Sanitary Cleaner is ideal for cleaning acid-resistant surfaces such as shower frames and walls made of plastic, stainless steel and glass, for shower curtains, ceramic tiles and fittings.

PIECES PER BOX 500ml - 10

SIZE	CODE
500ml	LFGSANICLN0.5



Lithofin®



LITHOFIN NANOTOP IS THE PROFESSIONAL CHOICE

HIGH PERFORMANCE PROTECTOR FOR NATURAL STONE

Lithofin NanoTOP is the ultimate solvent based, high performance impregnating sealer for all types of natural stone and concrete surfaces. Specifically formulated to provide optimal protection for kitchen benchtops, tables, vanities, and other natural stone surfaces, this impregnating sealer ensures excellent water and oil resistance and is scratch resistant.

With its easy and fast application, NanoTOP is the perfect sealer for both homeowners and professionals.

NanoTOP does not form layers, ensuring unbeatable protection against water damage, oil damage and general wear and tear.

So why wait? Protect your natural stone surfaces today with Lithofin's most trusted high performance, professional impregnating sealer.

To view the full Lithofin range visit: www.lithofin.com.au



DISCOVER THE FULL LITHOFIN RANGE OF PROFESSIONAL STONE & TILE CARE PRODUCTS TODAY!

RESTORATION

STONELUX 2.0 PROFESSIONAL KIT

The StoneLux 2.0 Professional kit contains all the components to effect fast high-quality repair work – from preparing and repairing the damage to finishing the repaired surface. The new comprehensive StoneLux 2.0 Professional kit is designed for repairs on a range of surfaces including Natural Stone, Quartz Composite, Stoneware, Ceramic and Tiles.

The kit includes 10 repair colors, new ceramic repair pastes with 14 new colour shades for advanced surfaces, 2 new 30ml filler materials, 4 new fine grinding pads, 2 new primer pens, the Blue:Tron Powerlight and more.

As an optional extra, the Proxxon Fine Drill Grinder is used to prepare the surface for restoration. Includes the Proxxon Fine Drill Grinder and the Proxxon Fine Drill Charger. Fits into the StoneLux 2.0 Professional kit carry case.



*Optional extra, not included in SL2.PRO

OPTION	CODE
Professional Kit	SL2.PRO
Proxxon Fine Drill Grinder & Charger	SL2.RT

STONELUX 2.0 COMPACC KIT

The StoneLux 2.0 Compacc kit contains all the basic components to start repair work – from preparing and repairing the damage to finishing the repaired surface. The new StoneLux 2.0 Compacc kit is designed for repairs on a range of surfaces including Natural Stone, Quartz Composite, Stoneware, Ceramic and Tiles.

The kit includes 4 repair colors, new ceramic repair pastes, 2 new fine grinding pads, 2 new primer pens, the Blue:Tron Powerlight and more.



CODE
SL2.COM

STONELUX 2.0 CERAMICS KIT

The StoneLux 2.0 Ceramics kit is a supplementary kit specifically for the repair of quartz and ceramic surfaces. The new comprehensive StoneLux 2.0 Ceramic kit includes ceramic repair material that is designed to replicate the colours and textures found in Quartz and Ceramic surfaces.

The kit includes 13 new ceramic repair pastes, 1 sanitary ceramic paste, 1 filler material, 1 opaquer material, 1 separator pen for stamping technique and more.



CODE
SL2.CER

THE COMPLETE RANGE OF STONELUX 2.0 REPLACEMENT COMPONENTS ARE AVAILABLE.

CONTACT YOUR LOCAL CDK STONE BRANCH OR YOUR TOOLS & EQUIPMENT SALES REPRESENTATIVE FOR MORE INFORMATION.



ADI CNC

SECTION 4

DIAMOND DRILLS	77
MILLING FINGERS & ROUTER TIPS	78
DRAINBOARD TOOLS	80
DRAINBOARD GROOVING	84
TRADITIONAL PRE-CUTTING TOOLS	85
NINJA BLADES	86
ZERO CHIPPING SEAM SOLUTIONS	88
ABOUT ADI CNC TOOLS	89
SLAB PROFILES	90

ADI CNC

SECTION 4

TOPLINE PROFILE TOOLS	94
FASTLINE PROFILE TOOLS	98
TWISTLINE PROFILE TOOLS	105
MICRONLINE PROFILE TOOLS	111
NANOLINE PROFILE TOOLS	116
UCSLINE PROFILE TOOLS	117
TOOL HOLDERS, ADAPTORS & CONSUMABLES	121
VACUUM CUPS	123



DIAMOND DRILLS

CNC / DIAMOND DRILLS

ADI THIN WALL CORE DRILLS FOR CNC MACHINES

Features 1mm wall thickness and special bond for high-speed drilling of Granite and Engineered Stone.

SIZE	CODE	DRILLING DEPTH (MM)	FITTING
20	PG081020	55	1/2" GAS
25	PG081025	55	1/2" GAS
30	PG081030	55	1/2" GAS
35	PG081035	55	1/2" GAS
38	PG081038	55	1/2" GAS
40	PG081040	55	1/2" GAS

OPERATING PARAMETERS		
SIZE (MM)	RPM	FEED RATE
20	3000	30-40
25	2600	30-40
30	2400	30-50
35	2200	50
38	2200	50
40	2200	50



ADI UCS THIN WALL CORE DRILLS FOR CNC MACHINES

Features 1mm wall thickness and special bond for drilling into Neolith and other UCS Material.

SIZE	CODE	DRILLING DEPTH (MM)	FITTING
25	MT81125	26	1/2" GAS
35	MT81135	26	1/2" GAS

OPERATING PARAMETERS		
SIZE (MM)	RPM	FEED RATE
25	2400-2200	15-30 mm/min
35	1800-2200	15-30 mm/min



MILLING FINGERS & ROUTER TIPS

ADI SOLUTION MILLING FINGER

New versatile milling finger for Granite and Engineered Stone.

		GRANITE	
SIZE	CODE	RPM	FEED (MM)
Ø22x35	PB22620	4500-4800	200-300
Ø24x48	PB22623	4300-4500	200-300
		ENGINEERED STONE	
Ø22x35	PB22620	6000-7000	400-600
Ø24x48	PB22623	5500-6500	300-400



ADI HYDRO MILLING FINGER

New high performance milling finger for Granite and Engineered Stone.

		GRANITE	
SIZE	CODE	RPM	FEED (MM)
Ø22x35	PB22618	4500-4800	200-300
		ENGINEERED STONE	
Ø22x35	PB22618	6000-7000	400-600



ADI MAGNIFICA MILLING FINGER

Universal milling finger for all types of material including Quartzites.

SIZE	CODE	RPM	FEED (MM)
Ø22x35	PB22619	4500	200-400
Ø24x48	PB22624	4300	200-300



ADI UCS MILLING FINGER

Milling finger specifically designed for UCS material.

SIZE	CODE	RPM	FEED (MM)
Ø20x15	MT74022	4000-4500	150-250
Ø22x25	MT74028	4000-4500	150-250
Ø22x35	MT74030	4500-4800	250-300



ADI PYTHON MILLING FINGER

Easy cutting milling finger for hard Granite.

SIZE	CODE	RPM	FEED (MM)
Ø20x48	PB22426	4500	250-300



ADI KING EAGLE MILLING FINGER

Premium quality milling finger for Granite and Engineered Stone.

		GRANITE	
SIZE	CODE	RPM	FEED (MM)
Ø22x35	PB22483	4500	250-300
Ø24x48	PB22494	4400	250-300
		ENGINEERED STONE	
Ø22x35	PB22483	5500-8000	350-600
Ø24x48	PB22494	5500-8000	350-600



ADI MARBLE MILLING FINGER

Vacuum brazed milling finger designed for all types of Marble.

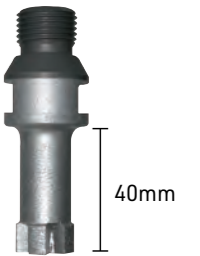
SIZE	CODE	RPM	FEED (MM)
Ø16x45	PB52005	5500	400-600
Ø20x65	PB52006	5200	300-450



ADI INCREMENTAL ROUTING BIT

Incremental routing bit for Granite and Engineered Stone. Maximum stock removal 8mm.

SIZE	CODE	RPM	FEED (MM)
Ø20x10	PB22303	5000	300-500



ADI UHS INCREMENTAL CUTTING TOOL

Incremental cutting / milling finger for Granite and Engineered Stone. Maximum stock removal 3mm.

SIZE	CODE	RPM	FEED (MM)
Ø6x15	PB27505	7000-10000	150-250
Ø8x15	PB27394	7000-10000	150-250
Ø10x20	PB27395	7000-10000	150-250
Ø12x20	PB27383	7000-10000	150-250



DIAREX ROUTER TIPS

Routing all stone types.

To be used with ADI Diamond Router Mandrel (DRM20ADIR).

SIZE	CODE	RPM	FEED (MM)
Ø20x15	DRT20DRXM	7000-7500	700-1000
Ø20x15	DRT20DRXQ	7000-7500	700-1000
Ø20x15	DRT20DRXT	7000-7500	700-1000



DRAINBOARD TOOLS

SEQUENCE FOR USING DRAINBOARD TOOLS GRANITE AND ENGINEERED STONE

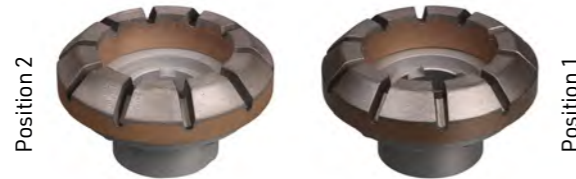
STEP ONE

STUBBING WHEEL



STEP TWO

INCLINED METAL BOND WHEELS



STEP THREE

GRANITE
5 INCLINED POLISHING WHEELS



ENGINEERED STONE
3 STRAIGHT POLISHING WHEELS



5 INCLINED POLISHING WHEELS



STEP FOUR

BUFFER



Available in both 45 degree and 60 degree angles.

MANAGE → CAPTURE → CREATE → PRODUCE

SOFTWARE

The CDK Stone exclusive range of stone processing software and automations tools allows you to streamline and manage your equipment more effectively. Our software offering specialises in drafting and templating, inventory, design, and construction.

Learn how to simplify and manage every step of the process with effective stone processing software from CDK Stone.

Learn More about our range here www.cdkstone.com.au/software

MANAGE

Discover end to end management with StonePro Software. From designs & construction to stock control, quotes, invoicing & production management.

CAPTURE

- Record key specs on the LT2D3D tablet
- Capture Photographs, dimensions and edge profiles on site
- Create job files and estimates in DXF/DWG, PDF & CSV & send straight to the office via email
- Sign off on jobs from the LT2D3D tablet onsite with your customer
- Manage your images and drawings with the advance StonePro Software

CREATE

- Turn your DXF file into a single SEKON CAD drawing
- Create the SEKON drawings inside StonePro Software
- Completely digitise book matching process
- Reduce human error

PRODUCE

- Automatically program each machine using SEKON Software
- Enhance machine production and run time
- Program the machine while its running
- Manage all processes in the factory and plan production flow more efficiently using StonePro Software

DRAINBOARD TOOLS

ADI STUBBING WHEEL Ø91 X 30 X 7MM

For drain board milling and thickness calibration.

SIZE (MM)	CODE	RPM	FEED SPEED (MM/MIN)	STOCK REMOVAL (MM)
Ø91 x 30 x 7	PB29035	4500-4800	400-700	1-5 max



ADI UHS SUPER DUTY STUBBING WHEEL Ø91 X 30 X 7MM

50mm bore + 3 holes for Granite and Engineered Stone. For drain board milling and thickness calibration.

SIZE (MM)	CODE	RPM	FEED SPEED (MM/MIN)	STOCK REMOVAL (MM)
Ø91 x 30 x 7	PB29443	4500	400-800	5 -10 max



ADI SUPER DUTY STUBBING WHEEL

ADI Super Stubbing Wheel D150x25x7mm for Granite & ES B50(3+3) Fitting.

SIZE (MM)	CODE	RPM	FEED SPEED (MM/MIN)	STOCK REMOVAL (MM)
Ø150 x 25 x 7	PB29536	4000	200 - 400	1 - 5 max



ADI 45° DRAINBOARD SET FOR ENGINEERED STONE

35mm Bore for Engineered Stone.



POSITION /GRADE	CODE	SIZE (MM)	RPM	FEED SPEED (MM/MIN)	STOCK REMOVAL (MM)
Pos. 1 Metal	PB29504	119	4500-5500	900-1000	0.15
Pos. 2 Metal	PB29505	119	4000-4500	1000	0.1
#200 Resin	PB29720	107	1000-1200	800-1200	0.05
#500 Resin	PB29557	107	1000-1200	800-1200	0.05
#1000 Resin	PB29558	107	1000-1200	800-1200	0.05
#2000 Resin	PB29559	107	1000-1200	800-1200	0.05
#3000 Resin	PB29722	107	1000-1200	800-1200	0.05

Available in 60 degree option on request.

ADI 45° DRAINBOARD SET FOR GRANITE

35mm Bore for Granite.



POSITION /GRADE	CODE	SIZE (MM)	RPM	FEED SPEED (MM/MIN)	STOCK REMOVAL (MM)
Pos. 1 Metal	PB29504	119	4000-4500	900-1000	0.15
Pos. 2 Metal	PB29505	119	4000-4500	1000	0.1
#325 Resin	PB39051	123	1800	2000	0.1
#600 Resin	PB39053	123	1500	2500	0.1
#800 Resin	PB39055	123	1300	2500	0.05
#1500 Resin	PB39057	123	1100	2000	0.05
#3000 Resin	PB39059	123	1000	2000	0.05

Available in 60 degree option on request.



ADI FLAT DRAINBOARD SET FOR ENGINEERED STONE

100mm Magnetic Backing for Engineered Stone.



GRADE	CODE	SIZE (MM)	RPM	FEED SPEED (MM/MIN)	STOCK REMOVAL (MM)
#50	PB29365	100	4000-6000	1200-1500	0.1
#100	PB29371	100	4000-6000	1200-1500	0.1
#200	PB29336	100	4000-6000	1200-1500	0.1
#500	PB29337	100	4000-4500	1000	0.1
#1000	PB29338	100	1000-1200	800-1200	0.05
#2000	PB29339	100	1000-1200	800-1200	0.05
#3000	PB29340	100	1000-1200	800-1200	0.05

ADI FLAT DRAINBOARD SET FOR GRANITE

100mm Magnetic Backing for Granite.



GRADE	CODE	SIZE (MM)	RPM	FEED SPEED (MM/MIN)	STOCK REMOVAL (MM)
#120	PB29202	100	1500	4000-6000	0.15
#200	PB29203	100	1500	4000-6000	0.1
#400	PB29204	100	1500	4000-6000	0.1
#800	PB29205	100	1200	4000-6000	0.1
#1500	PB29206	100	1000	4000-6000	0.05
#3000	PB29207	100	900-1000	4000-6000	0.05
LUX	PB29129	100	800-1000	5000	0.05

DRAINBOARD GROOVING

ADI RADIUS ROUTER BITS FOR GROOVING

For Granite and Engineered Stone.
R 1/2" Fitting.



POSITION	CODE	SIZE (MM)	RPM	FEED SPEED (MM/MIN)	STOCK REMOVAL (MM)
1	PB27528	Ø12 R=6	7000-8000	150-300	To Shape
2	PB27529	Ø12 R=6	7000-8000	600-800	0.2-0.15
3	PB27530	Ø12 R=6	7000-8000	600-800	0.15-0.1
4	PB27531	Ø12 R=6	7000-8000	600-800	0.1
5 (Eraser)	PB27515	Ø12 R=6	5000-6000	400-600	0.15-0.1

TRADITIONAL PRE-CUTTING TOOLS

ADI PRE-CUTTING / MITRE WHEEL Y PROFILE

For slabs with a thickness of 20, 30 and 40mm. Use positions 1 and 2 to create a perfect 45° mitred edge or you can use Position 1 as a pre-cutting wheel for profiles F and D.

POSITION	CODE	SIZE (MM)	RPM	FEED SPEED (MM/MIN)	STOCK REMOVAL (MM)
1	PB123058	130 - Bore=35	4500-5500	800-1200	To Shape
2	PB40327	130 - Bore=35	3800-4500	800-1200	0.1-0.2



NINJA BLADES

ADI NINJA BLADES

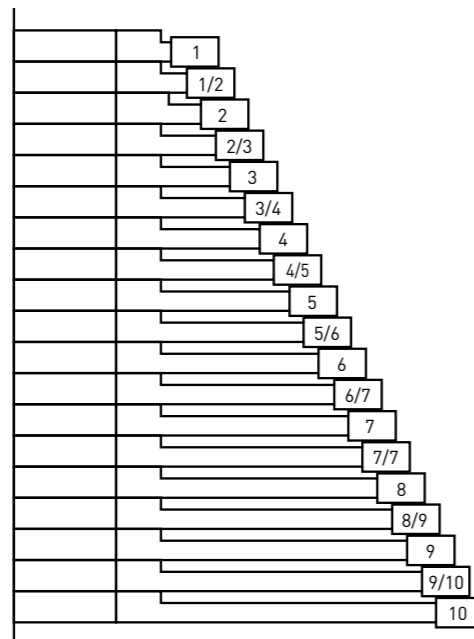
ADI Ninja pre-cutting blades are used in a set as a pre-cutting wheel. This protects the life of the rest of the tools in the sequence. Each blade has a 35mm bore. Sold individually.

CODE	BLADE NUMBER	DIAMETER
PC12070	1	70
PC12075	1/2	75
PC12080	2	80
PC12085	2/3	85
PC12090	3	90
PC12095	3/4	95
PC12100	4	100
PC12105	4/5	105
PC12110	5	110
PC12115	5/6	115
PC12120	6	120
PC12125	6/7	125
PC12130	7	130
PC12135	7/8	135
PC12140	8	140
PC12145	8/9	145
PC12150	9	150
PC12155	9/10	155
PC12160	10	160

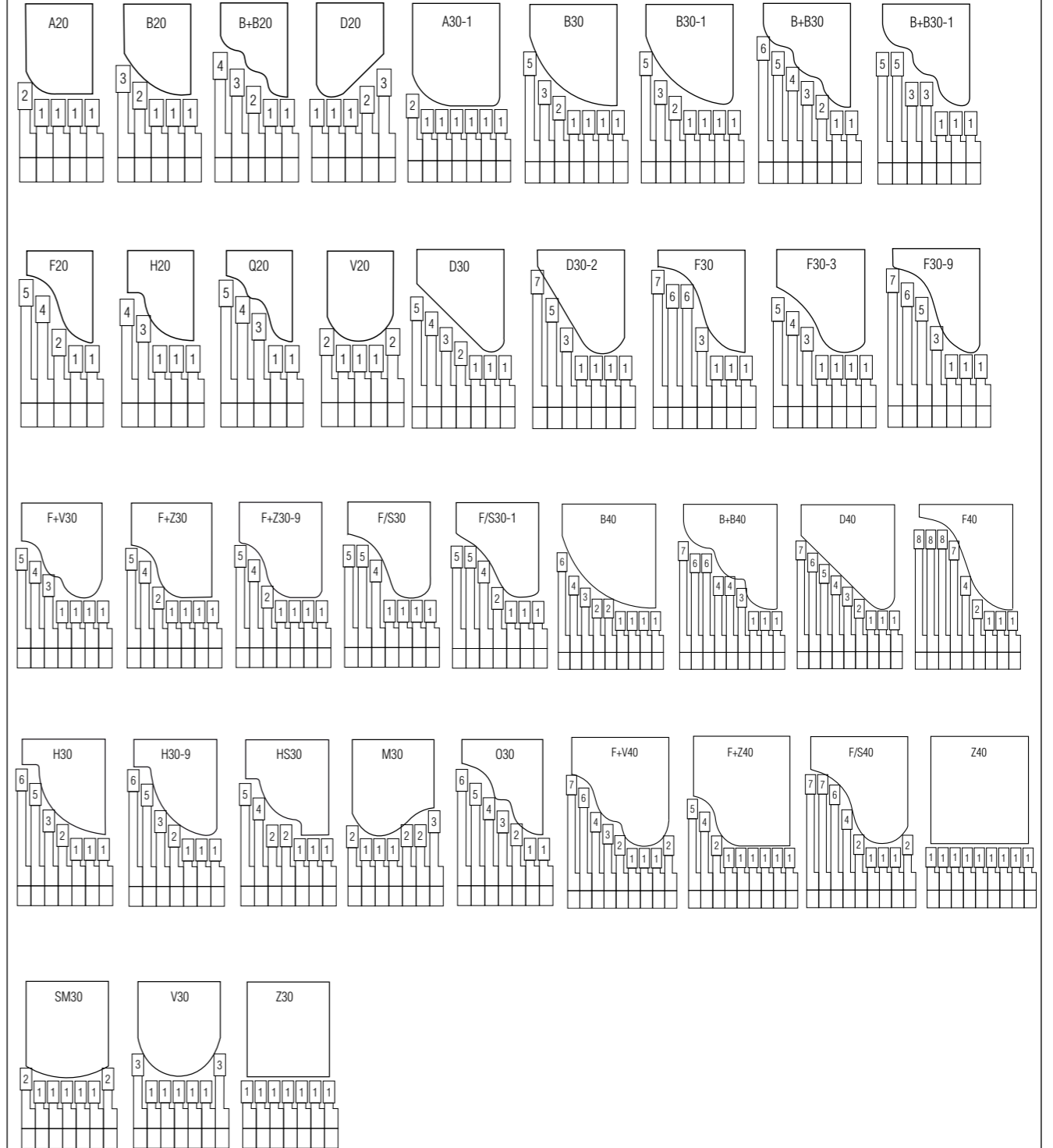


OPERATING PARAMETERS FOR NINJA BLADE		
RPM	FEED SPEED (MM/MIN)	STOCK REMOVAL (MM)
4500-5500	1000-2000	To Shape

SPACERS FOR NINJA BLADE			
CODE	INNER DIAMETER (MM)	OUTER DIAMETER (MM)	THICKNESS (MM)
SL02446	35	48	5



NINJA BLADES PROFILE COMBINATIONS



ZERO CHIPPING SEAM SOLUTIONS

ADI ZERO CHIPPING SEAM SOLUTION

Three step solution for producing perfect masons mitres with zero chipping. The mason's mitre allows the appearance of a mitre joint to be created with much less waste than occurs with a common mitre joint, in which triangular sections must be removed from the ends of both joint members.



POSITION 1 POSITION 2 POSITION 3

POSITION	RPM	FEED SPEED (MM/MIN)	STOCK REMOVAL (MM)	CODE
1	6000	1500-3000	To Shape	PB01323
2	6000	1500-4000	0.2-0.3	PB01324
3	4800-5300	1000-1500	0.05-0.1	PB01325

ABOUT ADI CNC PROFILING TOOLS

Discover the true economy of high quality tools. Seven lines of profile tools cover every application for modern bench top fabrication:

Whether you require a tool for fast processing of straight edges or a tool for profiling a tight internal radius, there is a suitable tool within the ADI range.



Minimum diameter of 105mm



Up to diameter of 104mm



Minimum diameter of 40mm



Minimum diameter of 20mm - Available in:
Up (U) Down (D)



Polishing tools for small radii.



Pre-cutting tool



Tools specifically designed for Ultra Compact Surfaces and Sintered Stone..

- **UHS technology**
A break-through in metal bond formulation ADI's new Ultra High Speed tools are capable of feed rates up to four times that of regular metal bonded tools.

- **Unsurpassed tool life**
ADI metal bond tools yield the highest tool life and the lowest cost per meter of edge-work in the industry.

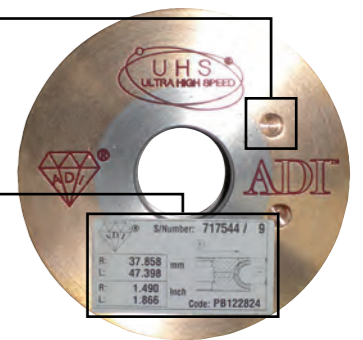
- **Precisely engineered water slots**
The intricately machined water slots provide superior water-cooling and hence superior finish and tool life. The process of machining the slots is time consuming and costly but hugely beneficial for your production.



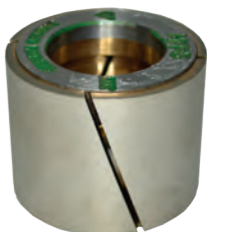
- **Profile integrity**
You can be sure that every time you purchase an ADI profile wheel it will have precisely the same profile.

- **Precision balancing**
Every ADI profile is dynamically balanced to ensure vibration-free operation.

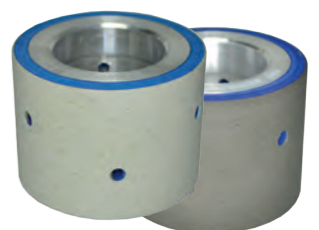
- **Preset labels**
Accurate dimensions printed on each tool save valuable set-up time. Each individual tool is measured to an accuracy of 0.001mm.



- **MFP5**
 - » Dramatic line reduction
 - » Robust solution to minor mistakes
 - » Possibility to be repaired
 - » All shapes available
 - » Longer life
 - » Optimal Integrity of shape

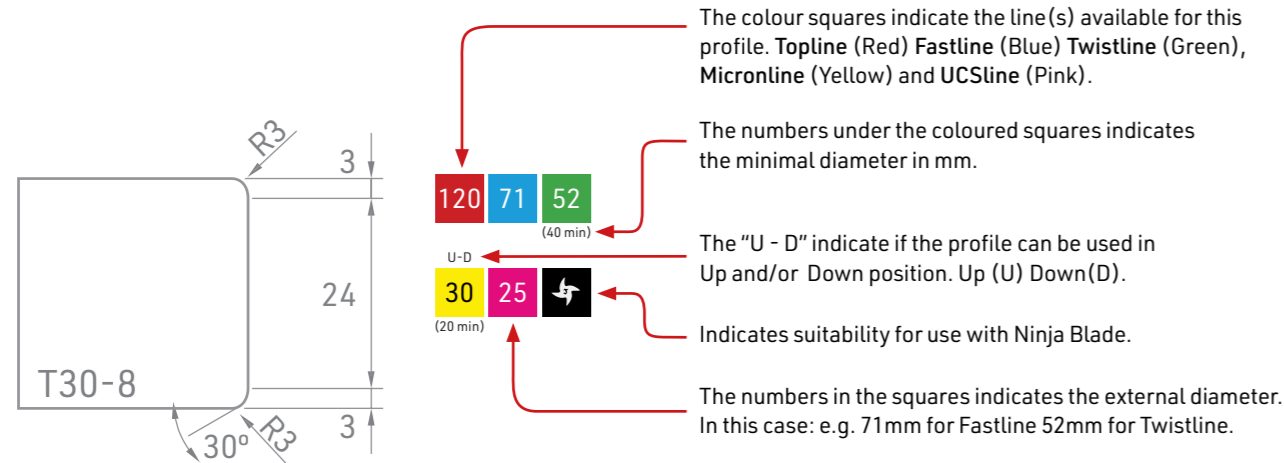


- **EXPRESS**
 - » Better gloss
 - » Longer life
 - » Limited orange peel
 - » Easy start-up
 - » Only 2 positions instead of 3



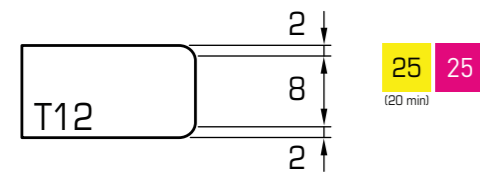
SLAB PROFILES

EXAMPLE OF PROFILE INFORMATION

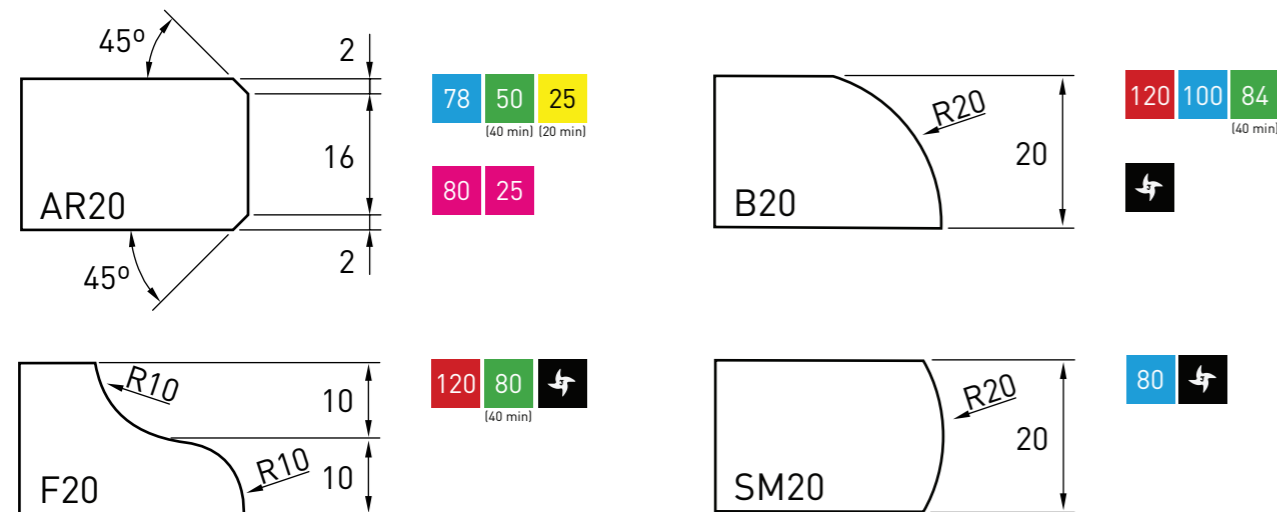


Please note all diagrams are for illustrative purpose only and are not to scale. All diagrams are in the 'Up' position, if the tool is only available in a 'Down' position, the diagram will be the inverse of what is displayed.

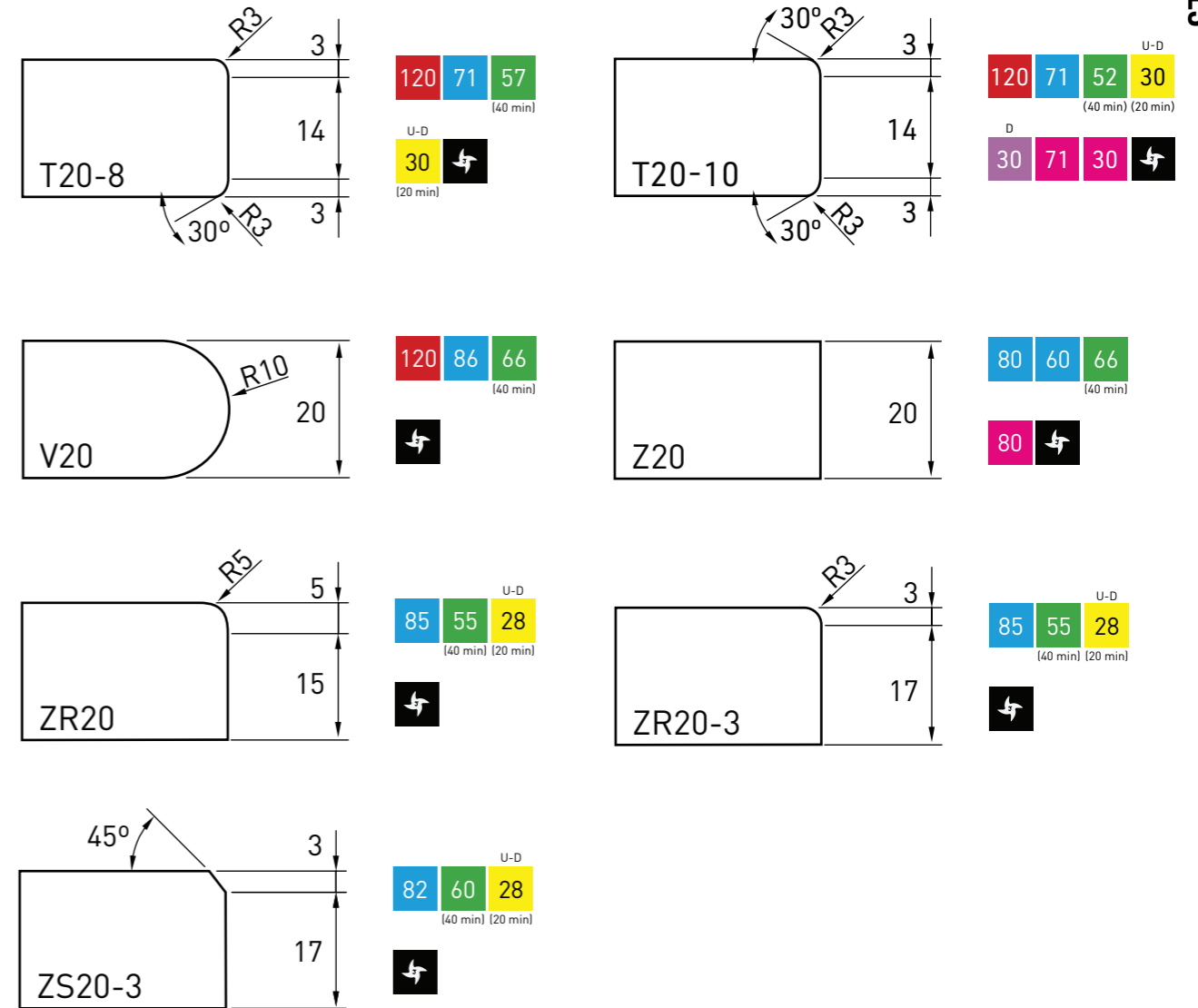
S=12 SLAB PROFILES



S=20 SLAB PROFILES

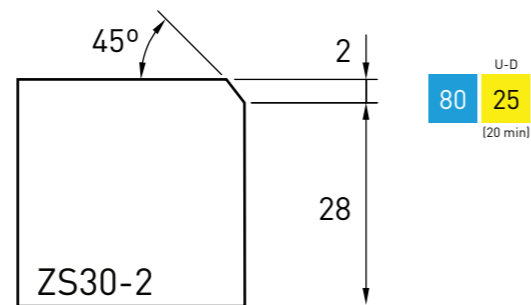
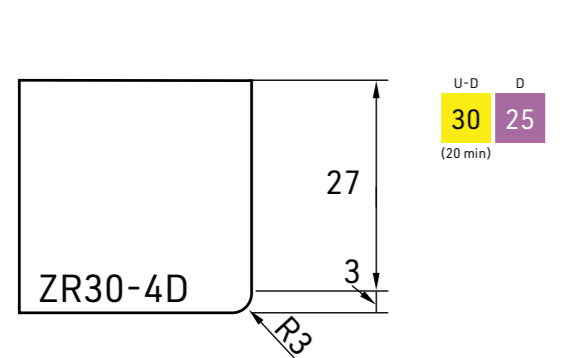
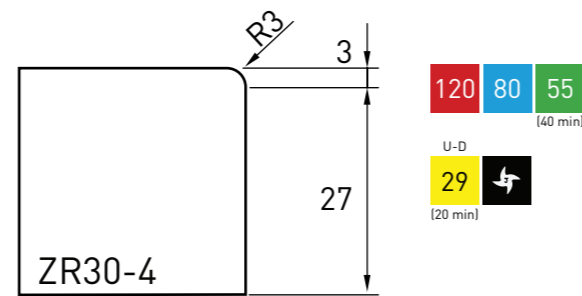
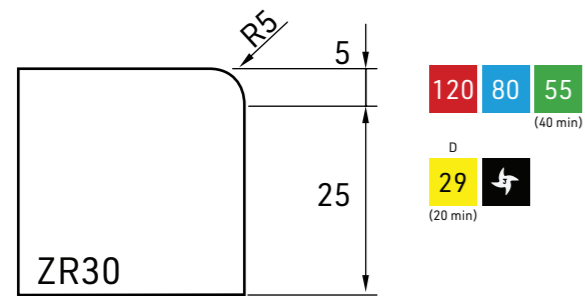
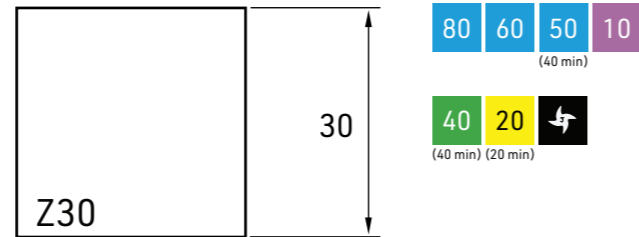
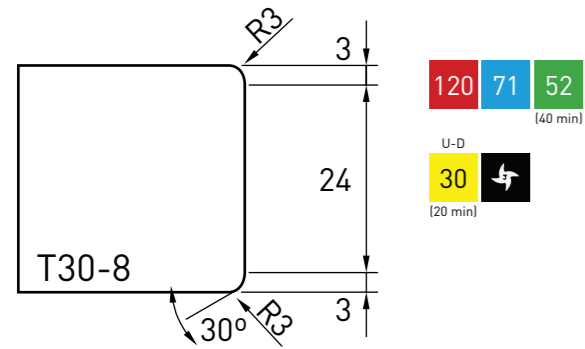
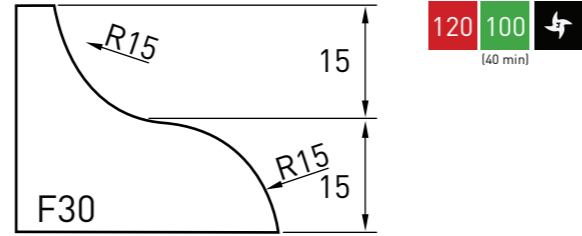
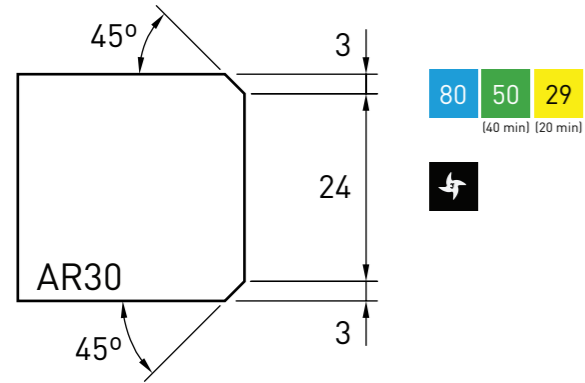


S=20 SLAB PROFILES CONTINUED

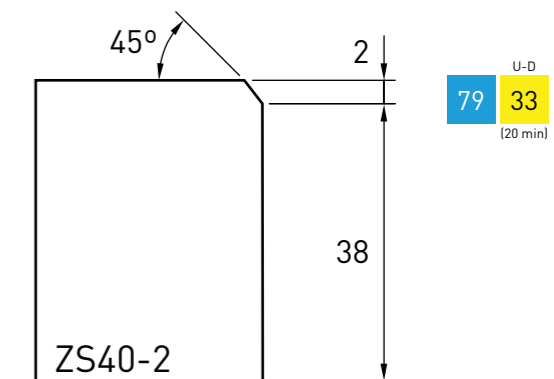
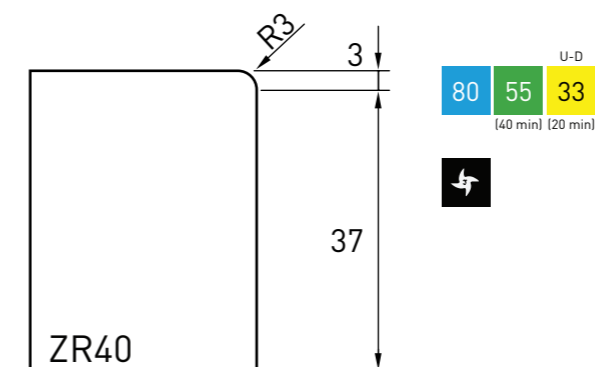
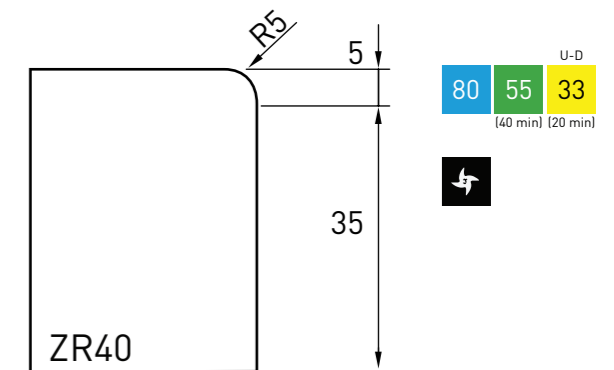
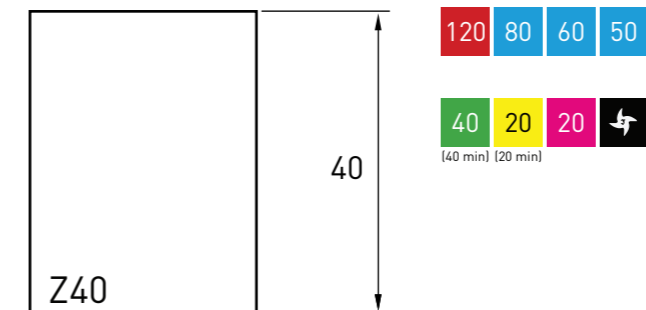
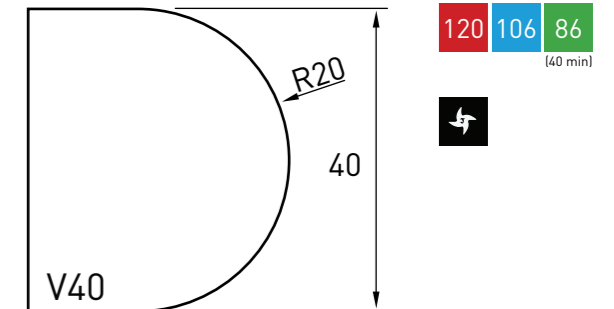
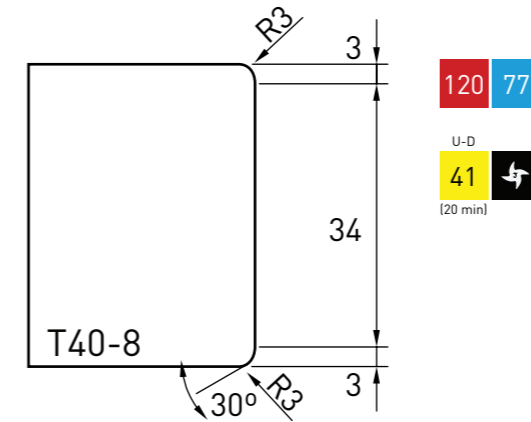
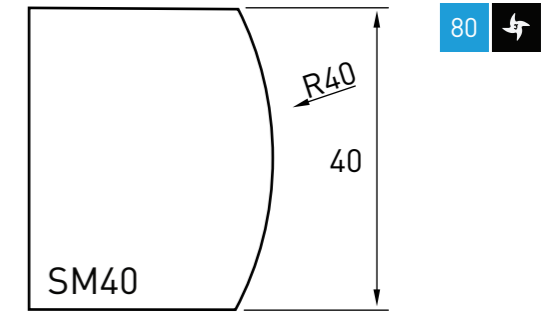
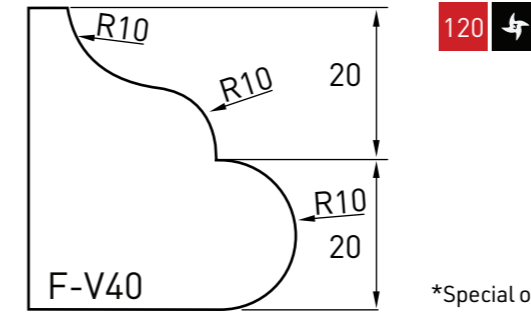
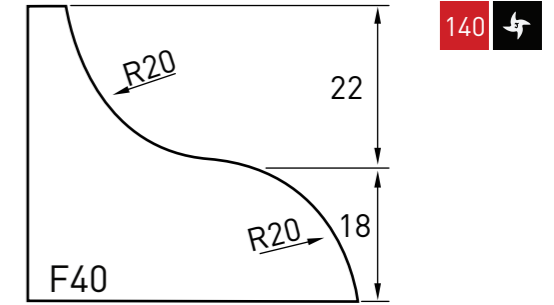
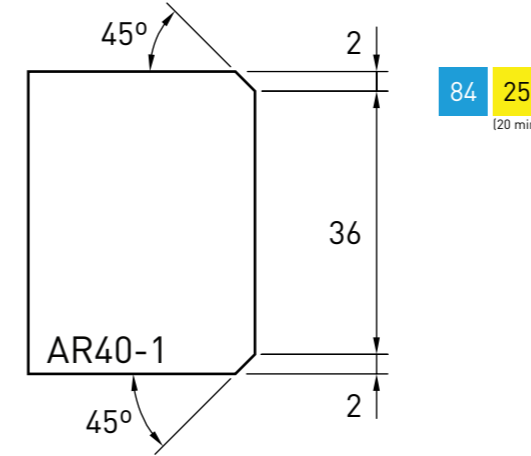


SLAB PROFILES

S=30 SLAB PROFILES



S=40 SLAB PROFILES



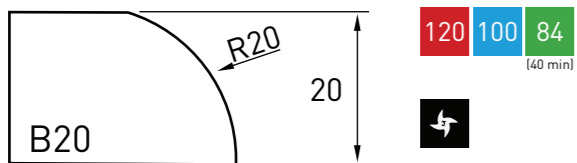
TOPLINE PROFILE TOOLS



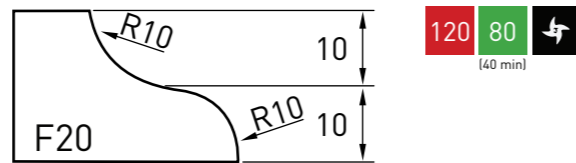
ID - Internal Diameter
ED - External Diameter

OPERATING PARAMETERS FOR WORKING WITH TOPLINE

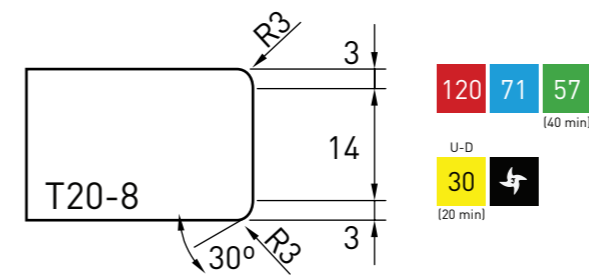
POS	SLAB THICKNESS (MM)	RPM (MIN-MAX)	FEED SPEED (MM/MIN)	STOCK REMOVAL (MM)	WHEEL TYPE
1	20-30-40	4500-6500	1500-4000	To Shape	Segmented
2	20-30-40	4500-5500	1500-10000	0.3-0.4	Continuous Rim
3	20-30-40	4500-5500	1500-10000	0.2-0.3	Continuous Rim
4	20-30-40	4500-5000	1000-2000	0.05-0.1	Continuous Rim
5	20-30-40	4000-4500	1000-1800	0.03-0.05	MFP5
6	20-30-40	2500-3000	1200-1500	0.03-0.05	Express
7	20-30-40	2500-3000	1200-1500	0.03-0.05	Express



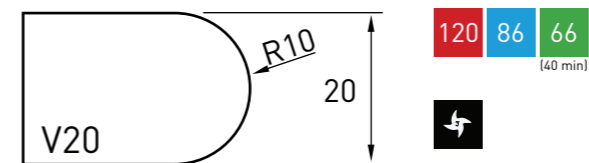
POS	CODE	DIAMETER EXTERNAL (MM)	DIAMETER INTERNAL (MM)	WHEEL TYPE
1	PB122667	120	76	Seg
2	PB122668	120	76	Cr+S
3	PB122669	120	76	Cr+S
4	PB122670	120	76	Cr+S
5	PB01513	100	56	MFP5
6	PB02029	110	60	Exp
7	PB02030	110	60	Exp



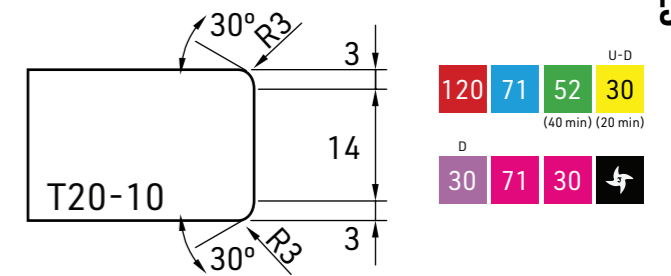
POS	CODE	DIAMETER EXTERNAL (MM)	DIAMETER INTERNAL (MM)	WHEEL TYPE
1	PB122706	120	80	Seg
2	PB122707	120	80	Cr+S
3	PB122708	120	80	Cr+S
4	PB122709	120	80	Cr+S
5	PB01523	120	80	MFP5
6	PB02059	101	60	Exp
7	PB02060	101	60	Exp



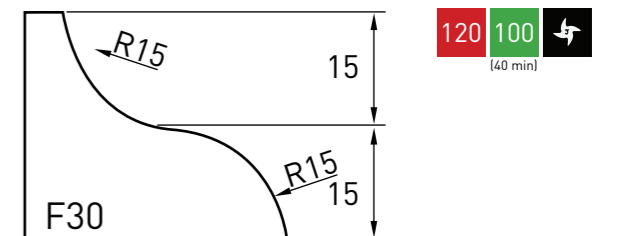
POS	CODE	DIAMETER EXTERNAL (MM)	DIAMETER INTERNAL (MM)	WHEEL TYPE
1	PB124058	120	103	Seg
2	PB124059	120	103	Cr+S
3	PB124060	120	103	Cr+S
4	PB124061	120	103	Cr+S
5	PB01582	71	60	MFP5
6	PB02245	75	60	Exp
7	PB02246	75	60	Exp



POS	CODE	DIAMETER EXTERNAL (MM)	DIAMETER INTERNAL (MM)	WHEEL TYPE
1	PB122815	120	94	Seg
2	PB122816	120	94	Cr+S
3	PB122817	120	94	Cr+S
4	PB122818	120	94	Cr+S
5	PB01561	86	60	MFP5
6	PB02173	90	60	Exp
7	PB02174	90	60	Exp

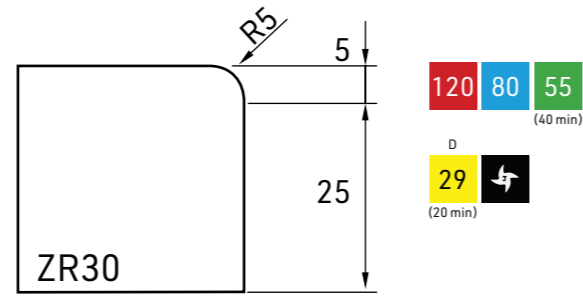
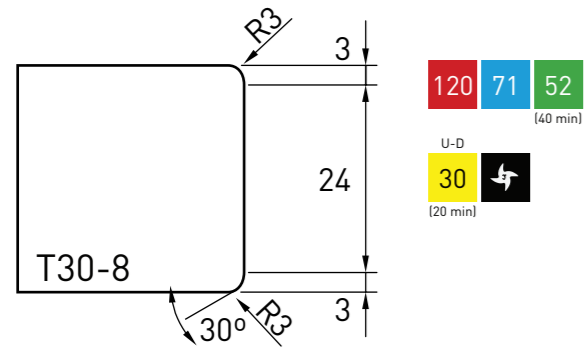


POS	CODE	DIAMETER EXTERNAL (MM)	DIAMETER INTERNAL (MM)	WHEEL TYPE
1	PB124239	120	80	Seg
2	PB124240	120	80	Cr+S
3	PB124241	120	80	Cr+S
4	PB124242	120	80	Cr+S
5	PB01633	71	80	MFP5
6	PB021350	75	60	Exp
7	PB021351	75	60	Exp



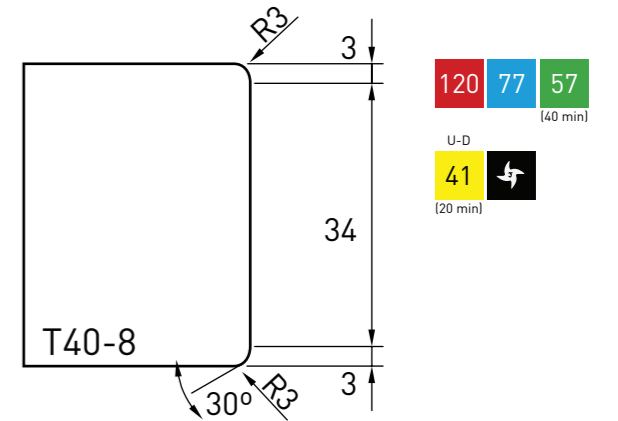
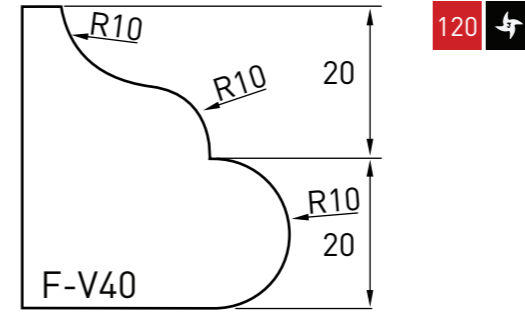
POS	CODE	DIAMETER EXTERNAL (MM)	DIAMETER INTERNAL (MM)	WHEEL TYPE
1	PB122605	130	70	Seg
2	PB122606	120	60	Cr+S
3	PB122607	120	60	Cr+S
4	PB122647	120	60	Cr+S
5	PB01524	120	60	MFP5
6	PB02062	120	60	Exp
7	PB02063	120	60	Exp

TOPLINE PROFILE TOOLS



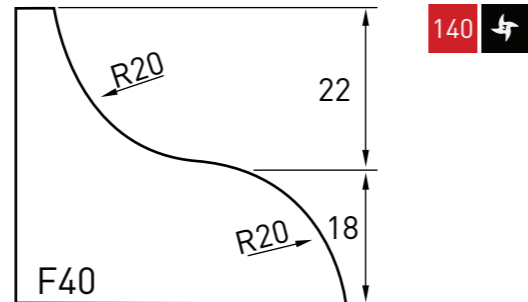
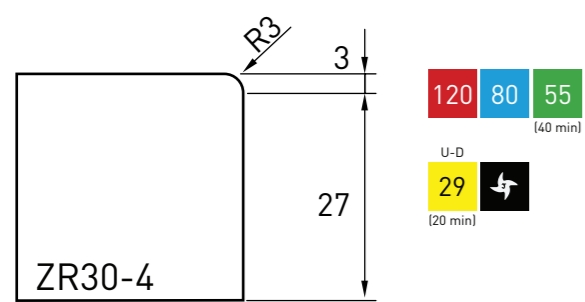
POS	CODE	DIAMETER EXTERNAL (MM)	DIAMETER INTERNAL (MM)	WHEEL TYPE
1	PB124062	120	103	Seg
2	PB124063	120	103	Cr+S
3	PB124064	120	103	Cr+S
4	PB124065	120	103	Cr+S
5	PB01583	71	60	MFP5
6	PB02248	75	60	Exp
7	PB02249	75	60	Exp

POS	CODE	DIAMETER EXTERNAL (MM)	DIAMETER INTERNAL (MM)	WHEEL TYPE
1	PB124571	120	105	Seg
2	PB124572	120	105	Cr+S
3	PB124573	120	105	Cr+S
4	PB124574	120	105	Cr+S
5	PB01568	80	65	MFP5
6	PB02203	80	60	Exp
7	PB02204	80	60	Exp



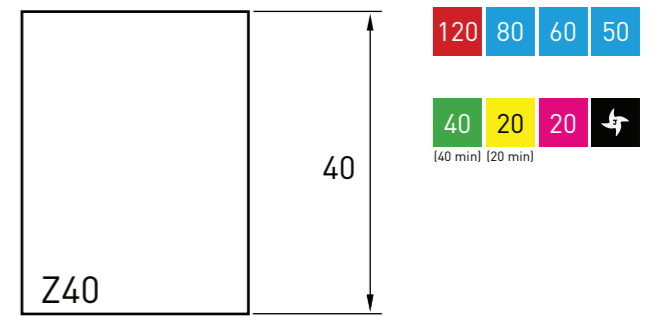
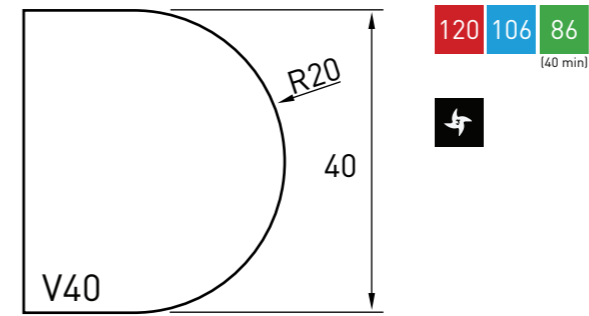
POS	CODE	DIAMETER EXTERNAL (MM)	DIAMETER INTERNAL (MM)	WHEEL TYPE
1	PB123225	128	70	Seg
2	PB122727	120	62	Cr+S
3	PB122728	120	62	Cr+S
4	PB122729	120	62	Cr+S
5	PB01531	120	62	MFP5
6	PB02083	118	60	Exp
7	PB02084	118	60	Exp

POS	CODE	DIAMETER EXTERNAL (MM)	DIAMETER INTERNAL (MM)	WHEEL TYPE
1	PB124066	120	103	Seg
2	PB124067	120	103	Cr+S
3	PB124068	120	103	Cr+S
4	PB124069	120	103	Cr+S
5	PB01584	77	60	MFP5
6	PB02251	75	60	Exp
7	PB02252	75	60	Exp



POS	CODE	DIAMETER EXTERNAL (MM)	DIAMETER INTERNAL (MM)	WHEEL TYPE
1	PB124361	120	103	Seg
2	PB124362	120	103	Cr+S
3	PB124363	120	103	Cr+S
4	PB124364	120	103	Cr+S
5	PB01668	80	65	MFP5
6	PB02257	77	60	Exp
7	PB02258	77	60	Exp

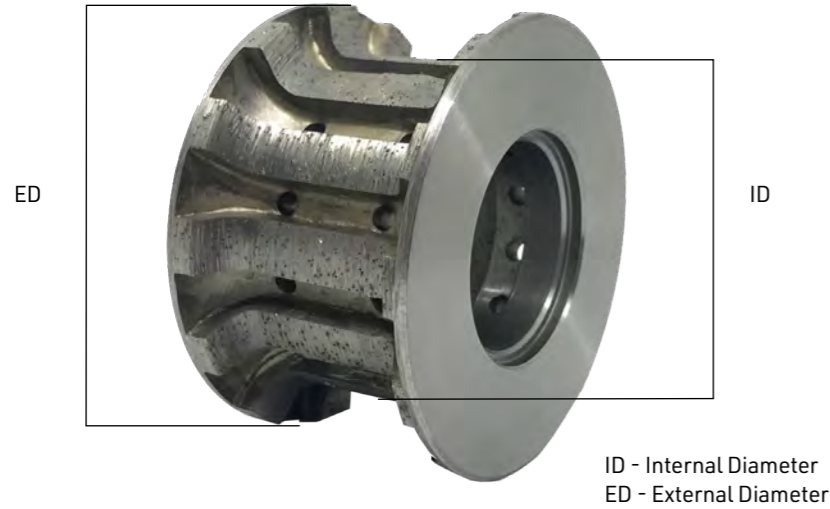
POS	CODE	DIAMETER EXTERNAL (MM)	DIAMETER INTERNAL (MM)	WHEEL TYPE
1	PB122710	140	60	Seg
2	PB122711	140	60	Cr+S
3	PB122712	140	60	Cr+S
4	PB122713	140	60	Cr+S
5	PB01671	140	60	MFP5
6	PB021322	141	60	Exp
7	PB021323	141	60	Exp



POS	CODE	DIAMETER EXTERNAL (MM)	DIAMETER INTERNAL (MM)	WHEEL TYPE
1	PB122823	120	74	Seg
2	PB122824	120	74	Cr+S
3	PB122825	120	74	Cr+S
4	PB122826	120	74	Cr+S
5	PB01563	106	60	MFP5
6	PB02179	107	60	Exp
7	PB02180	107	60	Exp

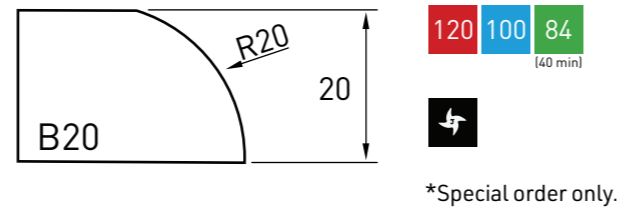
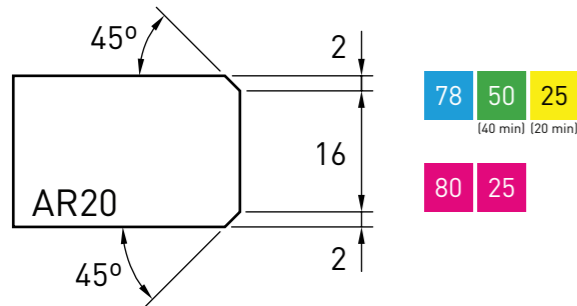
POS	CODE	DIAMETER EXTERNAL (MM)	DIAMETER INTERNAL (MM)	WHEEL TYPE
1	PB123871	120	120	Seg
2	PB123872	120	120	Cr+S
3	PB123873	120	120	Cr+S
4	PB123874	120	120	Cr+S
5	PB01506	60	60	MFP5
6	PB02441	80	80	Exp
7	PB02442	80	80	Exp

FASTLINE PROFILE TOOLS



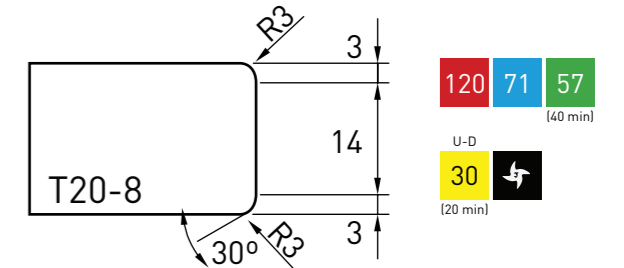
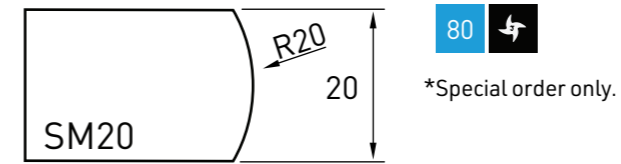
OPERATING PARAMETERS FOR WORKING WITH FASTLINE

POS	SLAB THICKNESS (MM)	RPM (MIN-MAX)	FEED SPEED (MM/MIN)	STOCK REMOVAL (MM)	WHEEL TYPE
1	20-30-40	5000-6000	1500-4000	To Shape	Segmented
2	20-30-40	5000-6000	1500-9000	0.3-0.4	Continuous Rim
3	20-30-40	5000-6000	1500-9000	0.2-0.3	Continuous Rim
4	20-30-40	4500-4800	1000-2000	0.05-0.1	Continuous Rim
5	20-30-40	4000-4500	1000-1800	0.03-0.05	MFP5
6	20-30-40	2500-3000	1200-1500	0.03-0.05	Express
7	20-30-40	2500-2800	1200-1500	0.03-0.05	Express



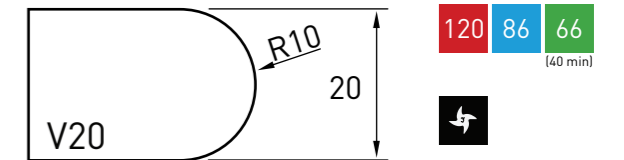
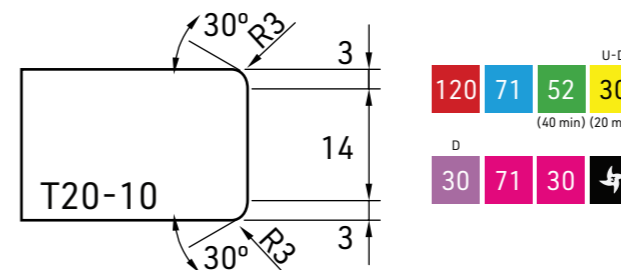
POS	CODE	DIAMETER EXTERNAL (MM)	DIAMETER INTERNAL (MM)	WHEEL TYPE
1	PB122847	78	70	Cr+S
2	PB122848	78	70	Cr+S
3	PB122849	78	70	Cr+S
4	PB122850	78	70	Cr+S
5	PB01507	78	70	MFP5
6	PB02014	68	60	Exp
7	PB02015	68	60	Exp

POS	CODE	DIAMETER EXTERNAL (MM)	DIAMETER INTERNAL (MM)	WHEEL TYPE
1	PB123903	100	56	Seg
2	PB123904	100	56	Cr+S
3	PB123905	100	56	Cr+S
4	PB123906	100	56	Cr+S
5	PB01513	100	56	MFP5
6	PB02029	110	60	Exp
7	PB02030	110	60	Exp



POS	CODE	DIAMETER EXTERNAL (MM)	DIAMETER INTERNAL (MM)	WHEEL TYPE
1	PB123391	80	73	Cr+S
2	PB123392	80	73	Cr+S
3	PB123393	80	73	Cr+S
4	PB123394	80	73	Cr+S
5	PB01550	80	73	MFP5
6	PB02140	67	60	Exp
7	PB02141	67	60	Exp

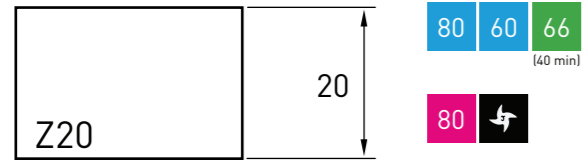
POS	CODE	DIAMETER EXTERNAL (MM)	DIAMETER INTERNAL (MM)	WHEEL TYPE
1	PB123670	77	60	Seg
2	PB123671	71	60	Cr+S
3	PB123672	71	60	Cr+S
4	PB123673	71	60	Cr+S
5	PB01582	71	60	MFP5
6	PB02245	75	60	Exp
7	PB02246	75	60	Exp



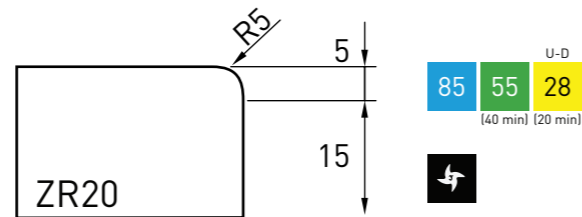
POS	CODE	DIAMETER EXTERNAL (MM)	DIAMETER INTERNAL (MM)	WHEEL TYPE
1	PB124177	77	60	Seg
2	PB124178	71	60	Cr+S
3	PB124179	71	60	Cr+S
4	PB124180	71	60	Cr+S
5	PB01633	71	60	MFP5
6	PB021350	75	60	Exp
7	PB021351	75	60	Exp

POS	CODE	DIAMETER EXTERNAL (MM)	DIAMETER INTERNAL (MM)	WHEEL TYPE
1	PB123040	86	60	Seg
2	PB123041	86	60	Cr+S
3	PB123042	86	60	Cr+S
4	PB123043	86	60	Cr+S
5	PB01561	86	60	MFP5
6	PB02173	90	60	Exp
7	PB02174	90	60	Exp

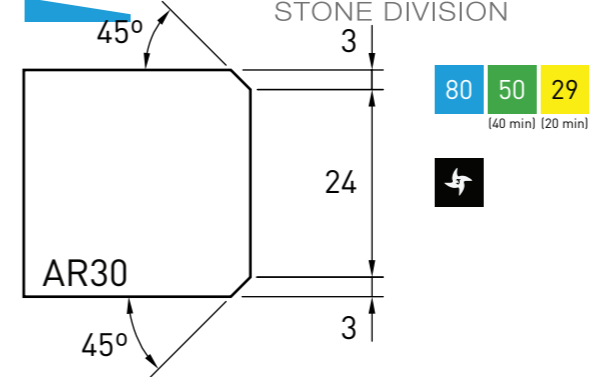
FASTLINE PROFILE TOOLS



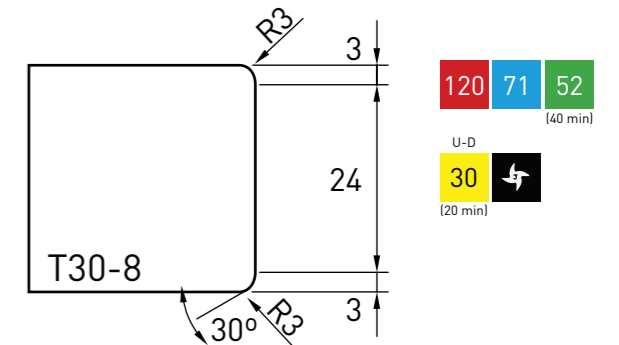
POS	CODE	DIAMETER EXTERNAL (MM)	DIAMETER INTERNAL (MM)	WHEEL TYPE
1	PB122875	80	80	Seg
2	PB122876	80	80	Cr+S
3	PB122877	80	80	Cr+S
4	PB122878	80	80	Cr+S
5	PB01504	60	80	MFP5
6	PB02404	80	80	Exp
7	PB02405	80	80	Exp



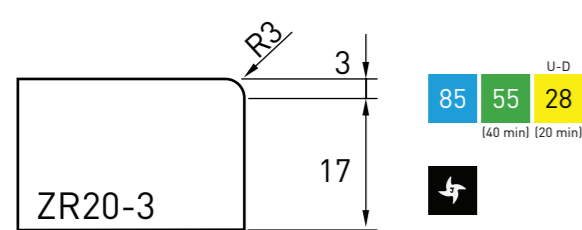
POS	CODE	DIAMETER EXTERNAL (MM)	DIAMETER INTERNAL (MM)	WHEEL TYPE
1	PB122887	85	70	Cr+S
2	PB122888	85	70	Cr+S
3	PB122889	85	70	Cr+S
4	PB122890	85	70	Cr+S
5	PB01567	85	70	MFP5
6	PB02200	80	60	Exp
7	PB02201	80	60	Exp



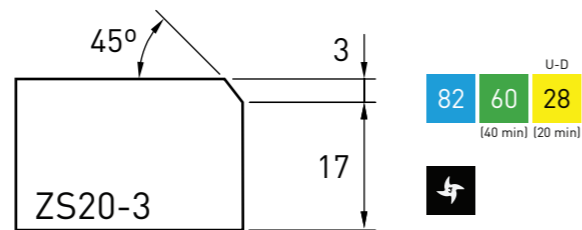
POS	CODE	DIAMETER EXTERNAL (MM)	DIAMETER INTERNAL (MM)	WHEEL TYPE
1	PB122571	80	70	Cr+S
2	PB122572	80	70	Cr+S
3	PB122573	80	70	Cr+S
4	PB122642	80	70	Cr+S
5	PB01508	80	70	MFP5
6	PB02017	70	60	Exp
7	PB02018	70	60	Exp



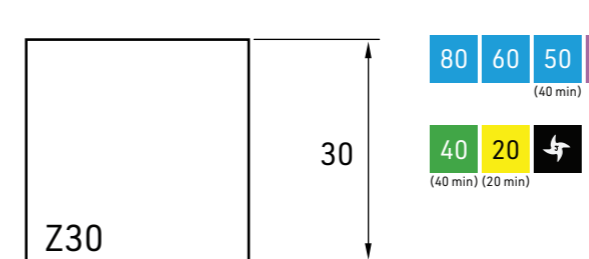
POS	CODE	DIAMETER EXTERNAL (MM)	DIAMETER INTERNAL (MM)	WHEEL TYPE
1	PB123674	77	60	Seg
2	PB123675	71	60	Cr+S
3	PB123676	71	60	Cr+S
4	PB123677	71	60	Cr+S
5	PB01583	71	60	MFP5
6	PB02248	75	60	Exp
7	PB02249	75	60	Exp



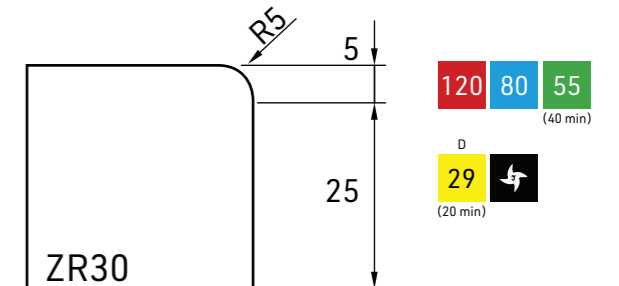
POS	CODE	DIAMETER EXTERNAL (MM)	DIAMETER INTERNAL (MM)	WHEEL TYPE
1	PB123508	85	70	Cr+S
2	PB123509	85	70	Cr+S
3	PB123510	85	70	Cr+S
4	PB123511	85	70	Cr+S
5	PB01698	85	70	MFP5
6	PB02254	75	60	Exp
7	PB02255	75	60	Exp



POS	CODE	DIAMETER EXTERNAL (MM)	DIAMETER INTERNAL (MM)	WHEEL TYPE
1	PB124171	78	70	Cr+S
2	PB124481	78	70	Cr+S
3	PB124482	78	70	Cr+S
4	PB124483	78	70	Cr+S
5	PB01699	78	70	MFP5
6	PB021896	75	70	Exp
7	PB021897	75	70	Exp

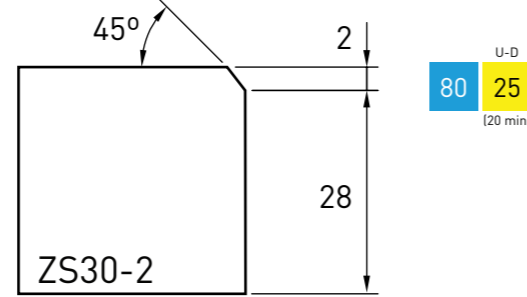
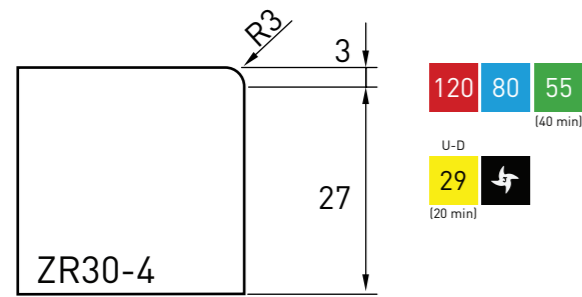


POS	CODE	DIAMETER EXTERNAL (MM)	DIAMETER INTERNAL (MM)	WHEEL TYPE
1	PB123190	78	78	Seg
2	PB122576	80	80	Cr+S
3	PB122577	80	80	Cr+S
4	PB122636	80	80	Cr+S
5	PB01505	80	80	MFP5
6	PB02389	80	80	Exp
7	PB02390	80	80	Exp



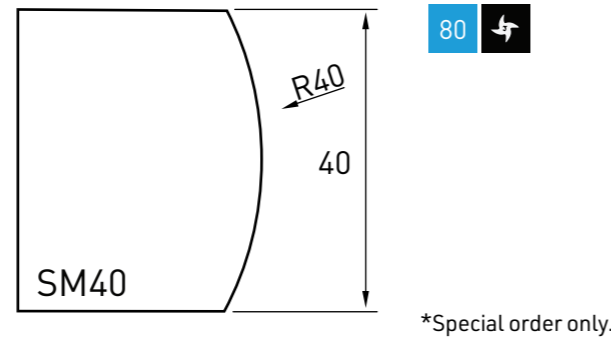
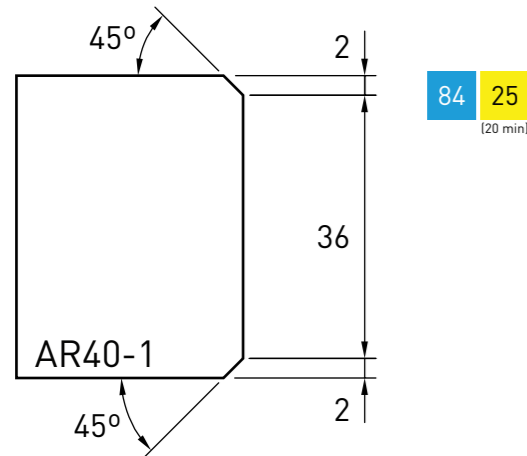
POS	CODE	DIAMETER EXTERNAL (MM)	DIAMETER INTERNAL (MM)	WHEEL TYPE
1	PB122623	80	65	Cr+S
2	PB122624	80	65	Cr+S
3	PB122625	80	65	Cr+S
4	PB122646	80	65	Cr+S
5	PB01568	80	65	MFP5
6	PB02203	80	60	Exp
7	PB02204	80	60	Exp

FASTLINE PROFILE TOOLS



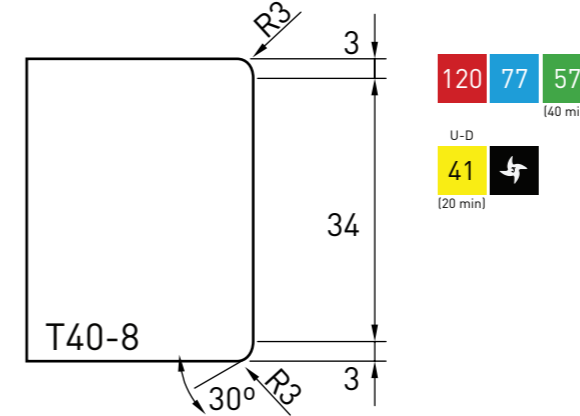
POS	CODE	DIAMETER EXTERNAL (MM)	DIAMETER INTERNAL (MM)	WHEEL TYPE
1	PB123196	80	65	Cr+S
2	PB123197	80	65	Cr+S
3	PB123198	80	65	Cr+S
4	PB123199	80	65	Cr+S
5	PB01808	80	65	MFP5
6	PB02416	77	60	Exp
7	PB02417	77	60	Exp

POS	CODE	DIAMETER EXTERNAL (MM)	DIAMETER INTERNAL (MM)	WHEEL TYPE
1	PB123370	80	70	Cr+S
2	PB123371	80	70	Cr+S
3	PB123372	80	70	Cr+S
4	PB123373	80	70	Cr+S
5	PB01579	80	70	MFP5
6	PB02236	70	60	Exp
7	PB02237	70	60	Exp

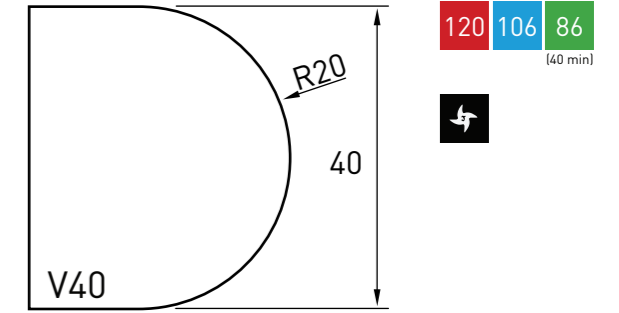


POS	CODE	DIAMETER EXTERNAL (MM)	DIAMETER INTERNAL (MM)	WHEEL TYPE
1	PB123036	79	70	Cr+S
2	PB123037	79	70	Cr+S
3	PB123038	79	70	Cr+S
4	PB123039	79	70	Cr+S
5	PB01511	79	70	MFP5
6	PB02026	68	60	Exp
7	PB02027	68	60	Exp

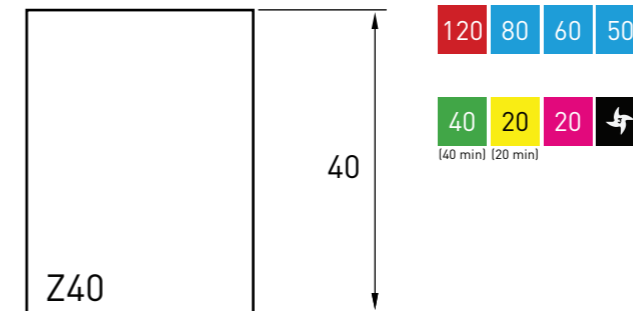
POS	CODE	DIAMETER EXTERNAL (MM)	DIAMETER INTERNAL (MM)	WHEEL TYPE
1	PB122895	80	68	Cr+S
2	PB122896	80	68	Cr+S
3	PB122897	80	68	Cr+S
4	PB122898	80	68	Cr+S
5	PB01552	80	68	MFP5
6	PB02146	72	60	Exp
7	PB02147	72	60	Exp



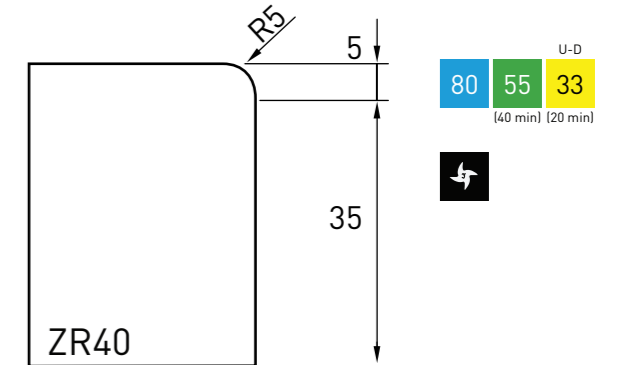
POS	CODE	DIAMETER EXTERNAL (MM)	DIAMETER INTERNAL (MM)	WHEEL TYPE
1	PB123678	77	60	Seg
2	PB123679	71	60	Cr+S
3	PB123680	71	60	Cr+S
4	PB123681	71	60	Cr+S
5	PB01584	71	60	MFP5
6	PB02251	75	60	Exp
7	PB02252	75	60	Exp



POS	CODE	DIAMETER EXTERNAL (MM)	DIAMETER INTERNAL (MM)	WHEEL TYPE
1	PB124123	106	60	Seg
2	PB124124	106	60	Cr+S
3	PB124125	106	60	Cr+S
4	PB124126	106	60	Cr+S
5	PB01563	106	60	MFP5
6	PB02179	107	60	Exp
7	PB02180	107	60	Exp

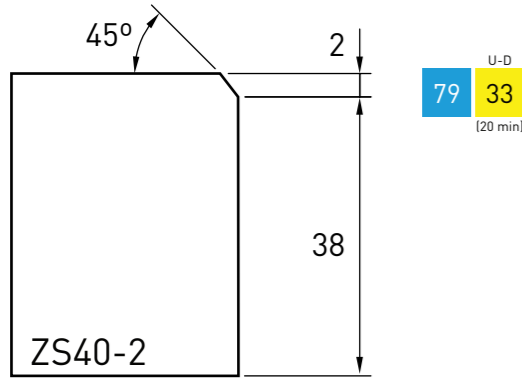


POS	CODE	DIAMETER EXTERNAL (MM)	DIAMETER INTERNAL (MM)	WHEEL TYPE
1	PB122598	60	80	Seg
2	PB122599	80	80	Cr+S
3	PB122600	80	80	Cr+S
4	PB122635	80	80	Cr+S
5	PB01506	60	80	MFP5
6	PB02441	80	80	Exp
7	PB02442	80	80	Exp



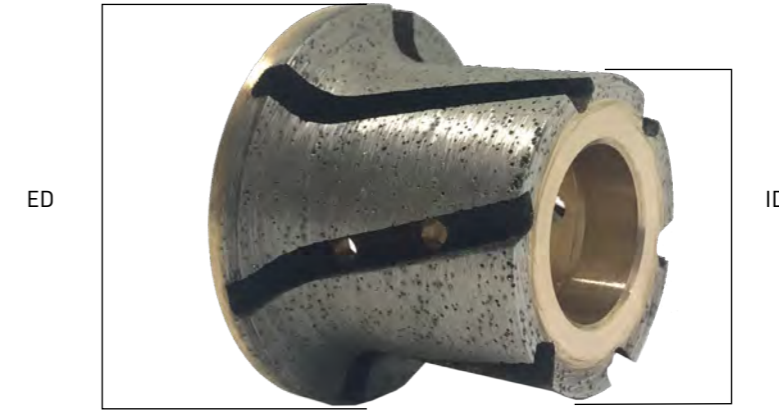
POS	CODE	DIAMETER EXTERNAL (MM)	DIAMETER INTERNAL (MM)	WHEEL TYPE
1	PB122899	80	65	Cr+S
2	PB122900	80	65	Cr+S
3	PB122901	80	65	Cr+S
4	PB122902	80	65	Cr+S
5	PB01571	80	65	MFP5
6	PB02212	80	60	Exp
7	PB02213	80	60	Exp

FASTLINE PROFILE TOOLS



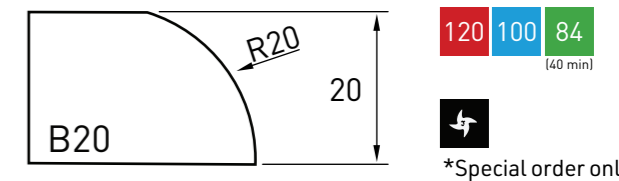
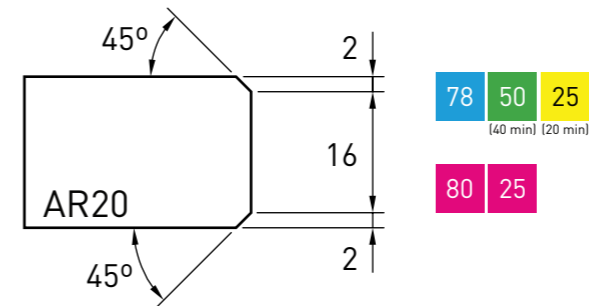
POS	CODE	DIAMETER EXTERNAL (MM)	DIAMETER INTERNAL (MM)	WHEEL TYPE
1	PB123686	79	70	Cr+S
2	PB123687	79	70	Cr+S
3	PB123688	79	70	Cr+S
4	PB123689	79	70	Cr+S
5	PB01580	79	70	MFP5
6	PB02239	70	60	Exp
7	PB02240	70	60	Exp

TWISTLINE PROFILE TOOLS



ID - Internal Diameter
ED - External Diameter

OPERATING PARAMETERS FOR WORKING WITH TWISTLINE					
POS	SLAB THICKNESS (MM)	RPM (MIN-MAX)	FEED SPEED (MM/MIN)	STOCK REMOVAL (MM)	WHEEL TYPE
1	20-30-40	5000-6000	1500-4000	To Shape	Segmented
2	20-30-40	5000-6000	1500-9000	0.3-0.4	Continuous Rim
3	20-30-40	5000-6000	1500-9000	0.2-0.3	Continuous Rim
4	20-30-40	4500-4800	1000-2000	0.05-0.1	Continuous Rim
5	20-30-40	4000-4500	1000-1800	0.03-0.05	MFP5
6	20-30-40	2500-3000	1200-1500	0.03-0.05	Express
7	20-30-40	2500-2800	1000-1200	0.03-0.05	Express

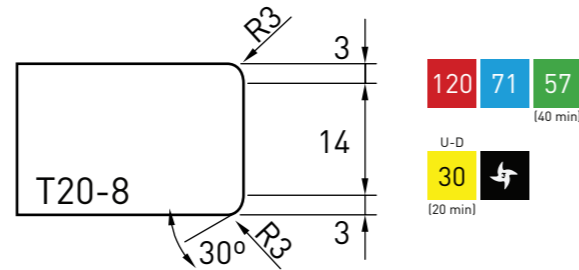
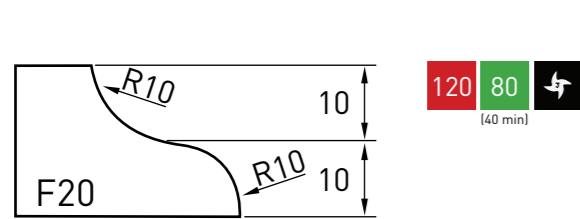


*Special order only.

POS	CODE	DIAMETER EXTERNAL (MM)	DIAMETER INTERNAL (MM)	WHEEL TYPE
1	PB161213	50	40	Cr+S
2	PB161214	50	40	Cr+S
3	PB161215	50	40	Cr+S
4	PB161216	50	40	Cr+S
5	PB11503	50	40	MFP5
6	PB02665	48	40	Exp
7	PB02666	48	40	Exp

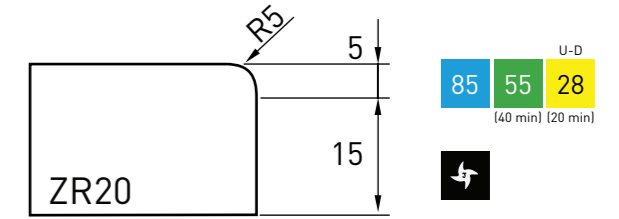
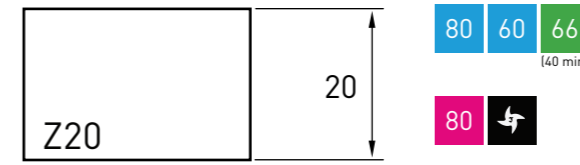
POS	CODE	DIAMETER EXTERNAL (MM)	DIAMETER INTERNAL (MM)	WHEEL TYPE
1	PB161169	84	40	Seg
2	PB161170	84	40	Cr+S
3	PB161171	84	40	Cr+S
4	PB161172	84	40	Cr+S
5	PB11531	84	40	MFP5
6	PB02611	85	40	Exp
7	PB02612	85	40	Exp

TWISTLINE PROFILE TOOLS



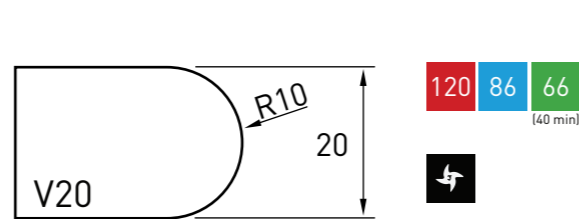
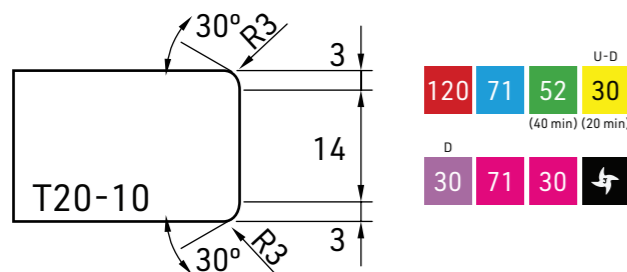
POS	CODE	DIAMETER EXTERNAL (MM)	DIAMETER INTERNAL (MM)	WHEEL TYPE
1	PB161296	80	40	Seg
2	PB161297	80	40	Cr+S
3	PB161298	80	40	Cr+S
4	PB161299	80	40	Cr+S
5	PB11507	80	40	MFP5
6	PB02614	80	40	Exp
7	PB02615	80	40	Exp

POS	CODE	DIAMETER EXTERNAL (MM)	DIAMETER INTERNAL (MM)	WHEEL TYPE
1	PB161221	57	40	Seg
2	PB161222	57	40	Cr+S
3	PB161223	57	40	Cr+S
4	PB161224	57	40	Cr+S
5	PB11520	57	40	MFP5
6	PB02689	55	40	Exp
7	PB02690	55	40	Exp



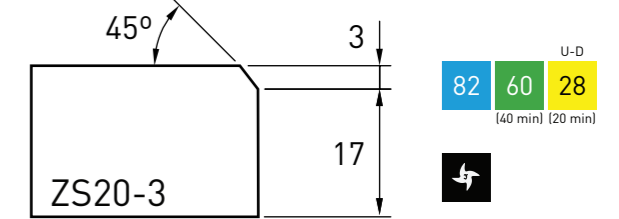
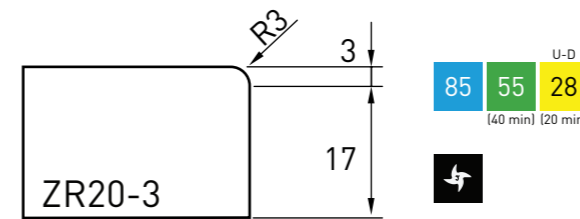
POS	CODE	DIAMETER EXTERNAL (MM)	DIAMETER INTERNAL (MM)	WHEEL TYPE
1	PB161113	40	40	Seg
2	PB161114	40	40	Cr+S
3	PB161115	40	40	Cr+S
4	PB161116	40	40	Cr+S
5	PB11510	40	40	MFP5
6	PB02647	40	40	Exp
7	PB02648	40	40	Exp

POS	CODE	DIAMETER EXTERNAL (MM)	DIAMETER INTERNAL (MM)	WHEEL TYPE
1	PB161133	55	40	Seg
2	PB161134	55	40	Cr+S
3	PB161135	55	40	Cr+S
4	PB161136	55	40	Cr+S
5	PB11513	55	40	MFP5
6	PB02656	60	40	Exp
7	PB02657	60	40	Exp



POS	CODE	DIAMETER EXTERNAL (MM)	DIAMETER INTERNAL (MM)	WHEEL TYPE
1	PB161355	57	40	Seg
2	PB161356	52	40	Cr+S
3	PB161357	52	40	Cr+S
4	PB161358	52	40	Cr+S
5	PB11544	52	40	MFP5
6	PB02730	55	40	Exp
7	PB02731	55	40	Exp

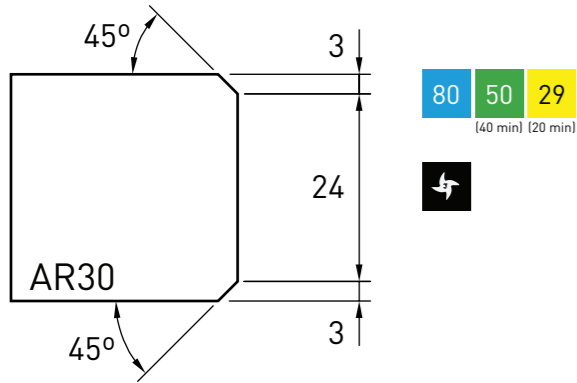
POS	CODE	DIAMETER EXTERNAL (MM)	DIAMETER INTERNAL (MM)	WHEEL TYPE
1	PB161121	66	40	Seg
2	PB161122	66	40	Cr+S
3	PB161123	66	40	Cr+S
4	PB161124	66	40	Cr+S
5	PB11560	66	40	MFP5
6	PB02778	66	40	Exp
7	PB02779	66	40	Exp



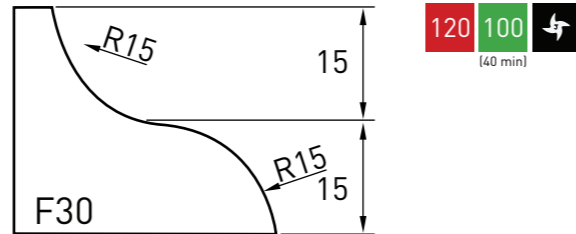
POS	CODE	DIAMETER EXTERNAL (MM)	DIAMETER INTERNAL (MM)	WHEEL TYPE
1	PB161285	55	40	Seg
2	PB161286	55	40	Cr+S
3	PB161287	55	40	Cr+S
4	PB161288	55	40	Cr+S
5	PB11561	55	40	MFP5
6	PB02704	60	40	Exp
7	PB02705	60	40	Exp

POS	CODE	DIAMETER EXTERNAL (MM)	DIAMETER INTERNAL (MM)	WHEEL TYPE
1	PB161424	60	40	Seg
2	PB161425	60	40	Cr+S
3	PB161426	60	40	Cr+S
4	PB161427	60	40	Cr+S
5	PB11565	60	40	MFP5
6	PB02790	60	40	Exp
7	PB02791	60	40	Exp

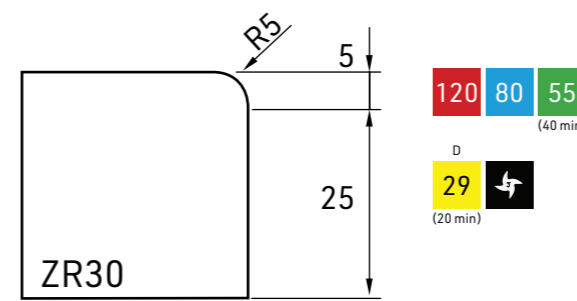
TWISTLINE PROFILE TOOLS



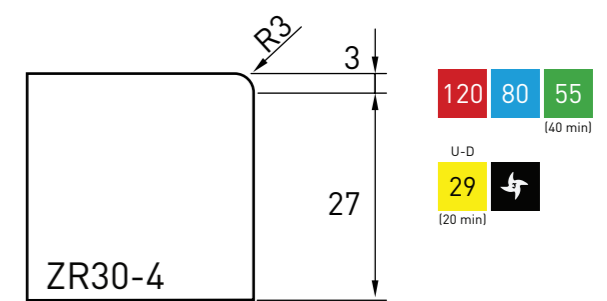
POS	CODE	DIAMETER EXTERNAL (MM)	DIAMETER INTERNAL (MM)	WHEEL TYPE
1	PB161185	50	40	Seg
2	PB161186	50	40	Cr+S
3	PB161187	50	40	Cr+S
4	PB161188	50	40	Cr+S
5	PB11504	50	40	MFP5
6	PB02668	50	40	Exp
7	PB02669	50	40	Exp



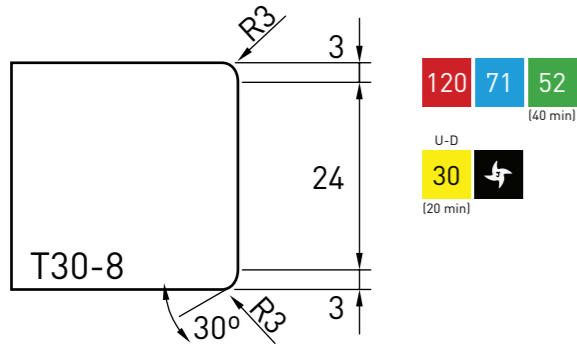
POS	CODE	DIAMETER EXTERNAL (MM)	DIAMETER INTERNAL (MM)	WHEEL TYPE
1	PB161269	100	40	Seg
2	PB161270	100	40	Cr+S
3	PB161271	100	40	Cr+S
4	PB161272	100	40	Cr+S
5	PB11508	100	40	MFP5
6	PB02620	100	40	Exp
7	PB02621	100	40	Exp



POS	CODE	DIAMETER EXTERNAL (MM)	DIAMETER INTERNAL (MM)	WHEEL TYPE
1	PB161101	55	40	Cr+S
2	PB161102	55	40	Cr+S
3	PB161103	55	40	Cr+S
4	PB161104	55	40	Cr+S
5	PB11514	55	40	MFP5
6	PB02659	60	40	Exp
7	PB02660	60	40	Exp



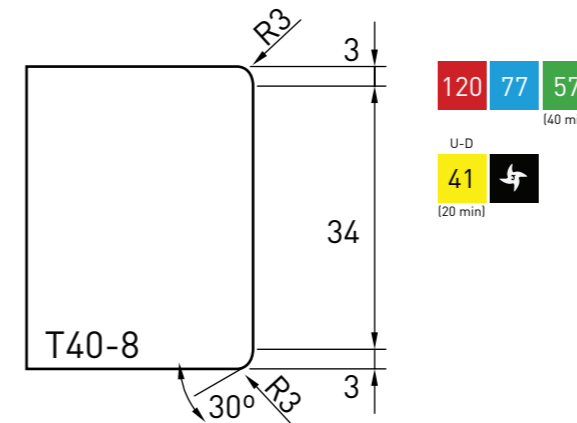
POS	CODE	DIAMETER EXTERNAL (MM)	DIAMETER INTERNAL (MM)	WHEEL TYPE
1	PB161451	55	40	Cr+S
2	PB161452	55	40	Cr+S
3	PB161453	55	40	Cr+S
4	PB161454	55	40	Cr+S
5	PB11513	55	40	MFP5
6	PB02257	60	40	Exp
7	PB02258	60	40	Exp



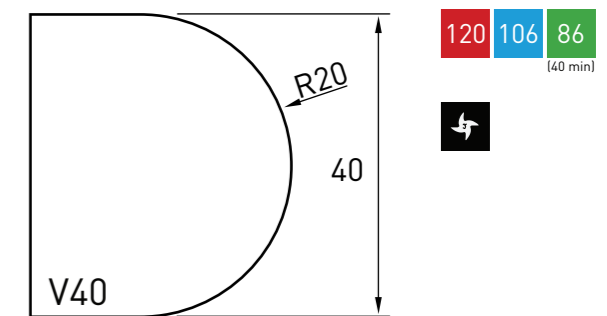
POS	CODE	DIAMETER EXTERNAL (MM)	DIAMETER INTERNAL (MM)	WHEEL TYPE
1	PB161225	57	40	Seg
2	PB161226	52	40	Cr+S
3	PB161227	52	40	Cr+S
4	PB161228	52	40	Cr+S
5	PB011521	52	40	MFP5
6	PB02671	55	40	Exp
7	PB02672	55	40	Exp



POS	CODE	DIAMETER EXTERNAL (MM)	DIAMETER INTERNAL (MM)	WHEEL TYPE
1	PB16886	40	40	Seg
2	PB16887	40	40	Cr+S
3	PB16888	40	40	Cr+S
4	PB16889	40	40	Cr+S
5	PB11511	40	40	MFP5
6	PB02605	40	40	Exp
7	PB02605	40	40	Exp

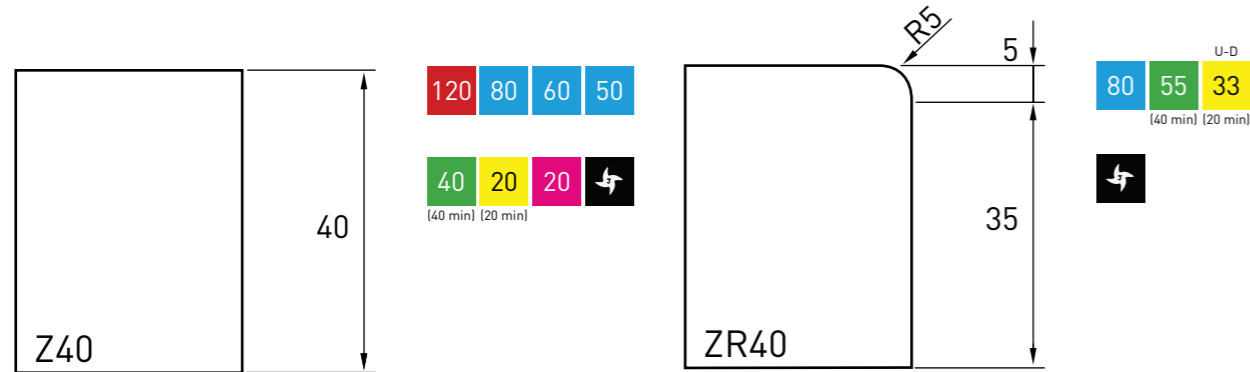


POS	CODE	DIAMETER EXTERNAL (MM)	DIAMETER INTERNAL (MM)	WHEEL TYPE
1	PB161312	57	40	Seg
2	PB161313	57	40	Cr+S
3	PB161314	57	40	Cr+S
4	PB161315	57	40	Cr+S
5	PB11530	57	40	MFP5
6	PB02701	55	40	Exp
7	PB02702	55	40	Exp



POS	CODE	DIAMETER EXTERNAL (MM)	DIAMETER INTERNAL (MM)	WHEEL TYPE
1	PB161129	86	40	Seg
2	PB161130	86	40	Cr+S
3	PB161131	86	40	Cr+S
4	PB161132	86	40	Cr+S
5	PB11528	86	40	MFP5
6	PB02644	88	40	Exp
7	PB02645	88	40	Exp

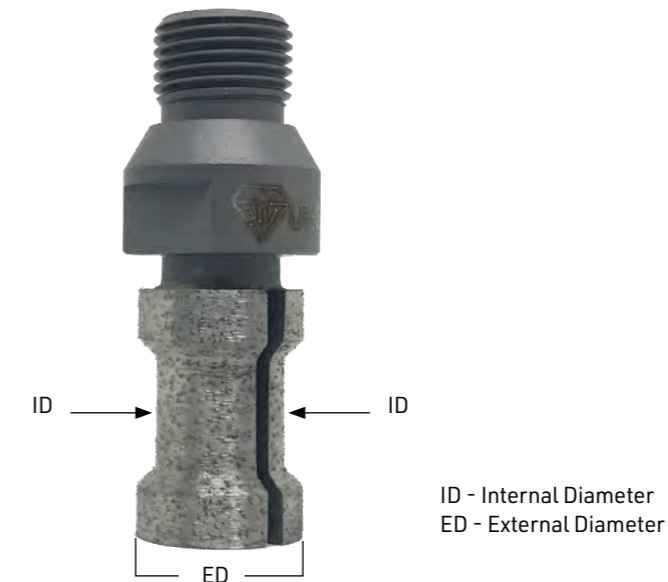
TWISTLINE PROFILE TOOLS



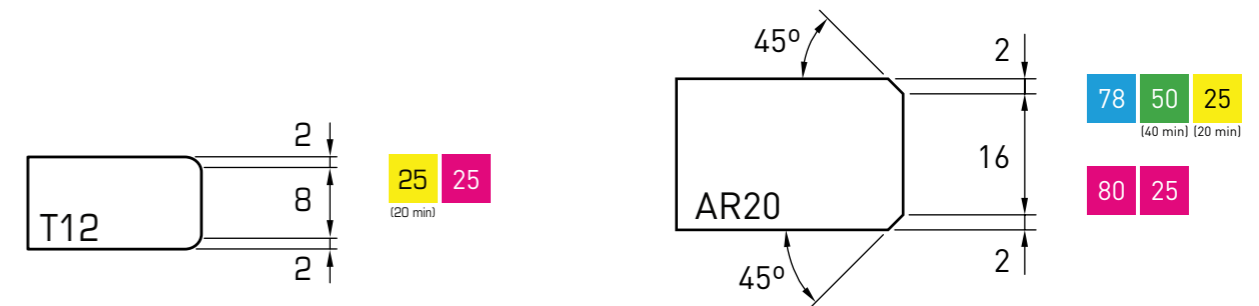
POS	CODE	DIAMETER EXTERNAL (MM)	DIAMETER INTERNAL (MM)	WHEEL TYPE
1	PB161117	40	40	Seg
2	PB161118	40	40	Cr+S
3	PB161119	40	40	Cr+S
4	PB161120	40	40	Cr+S
5	PB11512	40	40	MFP5
6	PB02653	40	40	Exp
7	PB02654	40	40	Exp

POS	CODE	DIAMETER EXTERNAL (MM)	DIAMETER INTERNAL (MM)	WHEEL TYPE
1	PB161137	55	40	Seg
2	PB161138	55	40	Cr+S
3	PB161139	55	40	Cr+S
4	PB161140	55	40	Cr+S
5	PB11515	55	40	MFP5
6	PB02635	55	40	Exp
7	PB02636	55	40	Exp

MICRONLINE PROFILE TOOLS



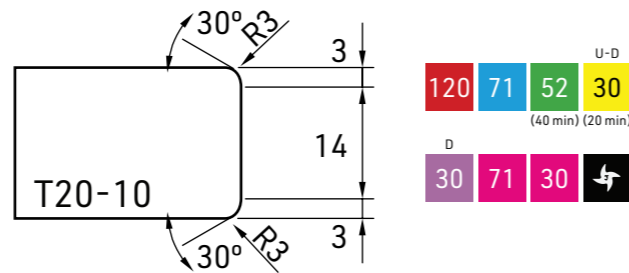
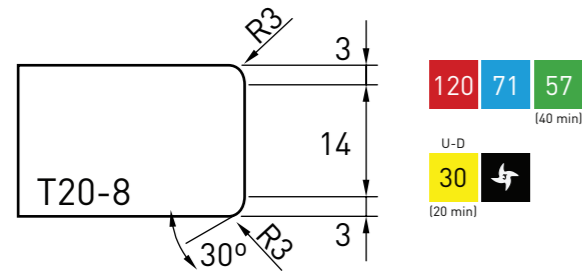
OPERATING PARAMETERS FOR WORKING WITH MICRONLINE					
POS	SLAB THICKNESS (MM)	RPM (MIN-MAX)	FEED SPEED (MM/MIN)	STOCK REMOVAL (MM)	WHEEL TYPE
1	20-30-40	6000-7000	750-1250	To Shape	Segmented
2	20-30-40	6000-7000	750-1250	0.2-0.3	Segmented
3	20-30-40	6000-7000	750-1250	0.15-0.2	Segmented
4	20-30-40	5500-6000	750-1000	0.05	Segmented
5	20-30-40	3800-4200	750-1000	0.03-0.05	Eraser
MFP5	20-30-40	3800-4200	750-1000	0.03-0.05	MFP5
6	20-30-40	3300-3800	750-1000	0.03-0.05	Express
7	20-30-40	3300-3800	750-1000	Pressure	Express



POS	CODE	DIAMETER EXTERNAL (MM)	DIAMETER INTERNAL (MM)	WHEEL TYPE
1	PB201169	25	20	Twin Seg
2	PB201170	25	20	Twin Seg
3	PB201171	25	20	Twin Seg
4	PB201172	25	20	Twin Seg
5	PB38502	20	20	Eraser
MFP5	PB015018	25	20	MFP5
6	PB021195	25	20	Exp
7	PB021196	25	20	Exp

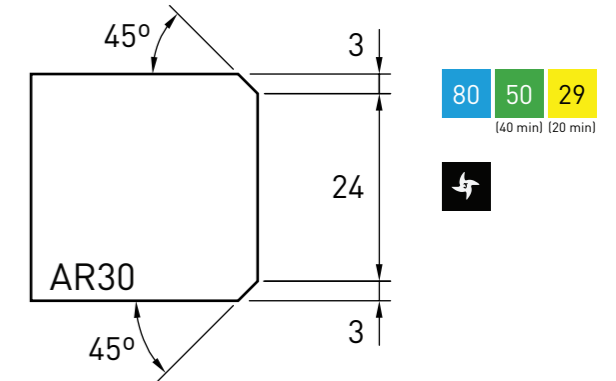
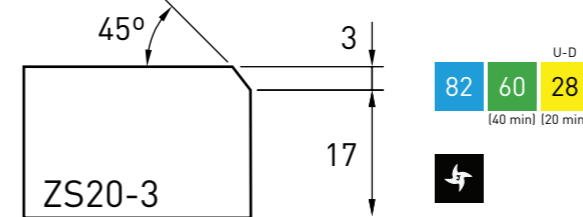
POS	CODE	DIAMETER EXTERNAL (MM)	DIAMETER INTERNAL (MM)	WHEEL TYPE
1	PB20593	25	20	Twin Seg
2	PB20594	25	20	Twin Seg
3	PB20595	25	20	Twin Seg
4	PB20596	25	20	Twin Seg
5	PB38502	20	20	Eraser
MFP5	PB015008	20	20	MFP5
6	PB021005	28	20	Exp
7	PB021006	28	20	Exp

MICRONLINE PROFILE TOOLS



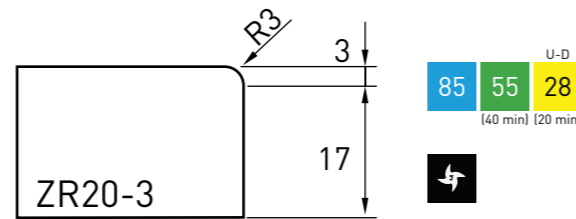
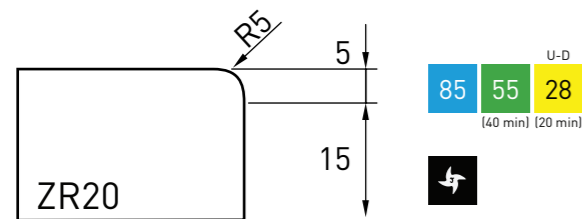
POS	CODE (FACE UP)	DIAMETER EXTERNAL (MM)	DIAMETER INTERNAL (MM)	WHEEL TYPE
1	PB201041	30	20	Twin Seg
2	PB201042	30	20	Twin Seg
3	PB201043	30	20	Twin Seg
4	PB201044	30	20	Twin Seg
5	PB38502	20	20	Eraser
MFP5	PB015006	20	20	MFP5
6	PB021066	37	20	Exp
7	PB021067	37	20	Exp

POS	CODE	DIAMETER EXTERNAL (MM)	DIAMETER INTERNAL (MM)	WHEEL TYPE
1	PB20838	30	20	Twin Seg
2	PB20839	30	20	Twin Seg
3	PB20840	30	20	Twin Seg
4	PB20841	30	20	Twin Seg
5	PB38502	20	20	Eraser
MFP5	PB015006	20	20	MFP5
6	PB021150	37	20	Exp
7	PB021151	37	20	Exp



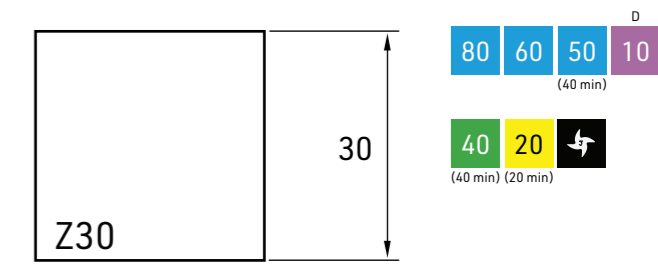
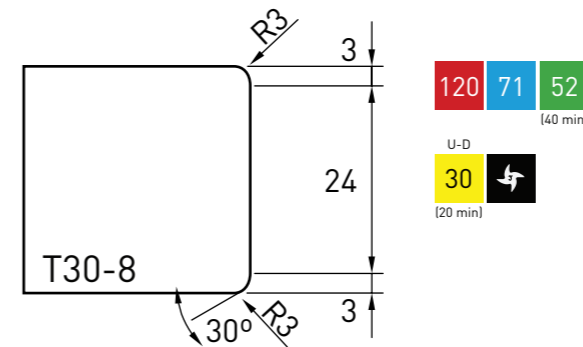
POS	CODE (FACE UP)	CODE (FACE DOWN)	DIAMETER EXTERNAL (MM)	DIAMETER INTERNAL (MM)	WHEEL TYPE
1	PB201077	PB201081	30	20	Twin Seg
2	PB201078	PB201082	30	20	Twin Seg
3	PB201079	PB201083	30	20	Twin Seg
4	PB201080	PB201084	30	20	Twin Seg
5	PB38502	PB38502	20	20	Eraser
MFP5	N/A	PB015036	20	20	MFP5
6	PB021044	PB021047	32	20	Exp
7	PB021045	PB021048	32	20	Exp

POS	CODE	DIAMETER EXTERNAL (MM)	DIAMETER INTERNAL (MM)	WHEEL TYPE
1	PB201085	30	20	Twin Seg
2	PB201086	30	20	Twin Seg
3	PB201087	30	20	Twin Seg
4	PB201088	30	20	Twin Seg
5	PB38502	20	20	Eraser
MFP5	PB015009	20	20	MFP5
6	PB021008	30	20	Exp
7	PB021009	30	20	Exp



POS	CODE (FACE UP)	CODE (FACE DOWN)	DIAMETER EXTERNAL (MM)	DIAMETER INTERNAL (MM)	WHEEL TYPE
1	PB201045	PB201049	30	20	Twin Seg
2	PB201046	PB201050	30	20	Twin Seg
3	PB201047	PB201051	30	20	Twin Seg
4	PB201048	PB201052	30	20	Twin Seg
5	PB38502	PB38502	20	20	Eraser
MFP5	N/A	PB015028	20	20	MFP5
6	PB021020	PB021023	30	20	Exp
7	PB021021	PB021024	30	20	Exp

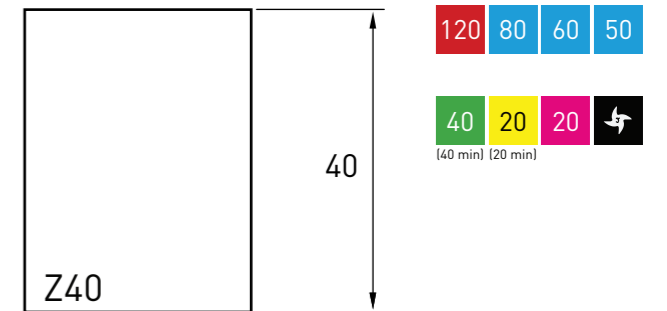
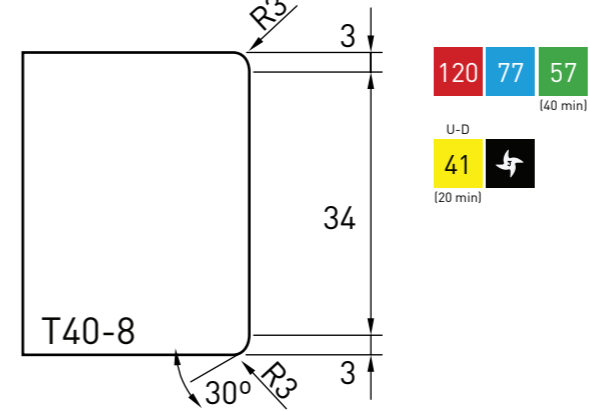
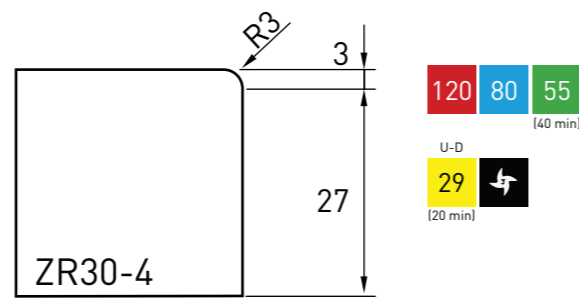
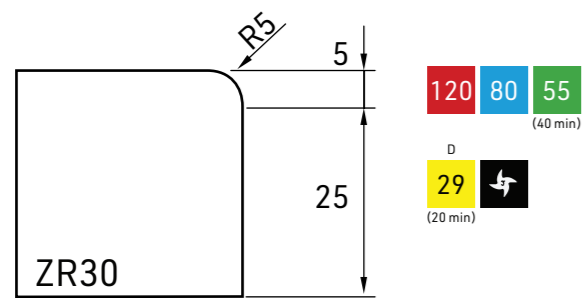
POS	CODE (FACE UP)	CODE (FACE DOWN)	DIAMETER EXTERNAL (MM)	DIAMETER INTERNAL (MM)	WHEEL TYPE
1	PB201053	PB201057	30	20	Twin Seg
2	PB201054	PB201058	30	20	Twin Seg
3	PB201055	PB201059	30	20	Twin Seg
4	PB201056	PB201060	30	20	Twin Seg
5	PB38502	PB38502	20	20	Eraser
MFP5	N/A	PB015028	20	20	MFP5
6	PB021126	PB021168	30	20	Exp
7	PB021127	PB021169	30	20	Exp



POS	CODE (FACE UP)	DIAMETER EXTERNAL (MM)	DIAMETER INTERNAL (MM)	WHEEL TYPE
1	PB201093	29	20	Twin Seg
2	PB201094	29	20	Twin Seg
3	PB201095	29	20	Twin Seg
4	PB201096	29	20	Twin Seg
5	PB38502	20	20	Eraser
MFP5	PB015041	20	20	MFP5
6	PB021069	35	20	Exp
7	PB021070	35	20	Exp

POS	CODE	DIAMETER EXTERNAL (MM)	DIAMETER INTERNAL (MM)	WHEEL TYPE
1	PB20496	20	20	Twin Seg
2	PB20497	20	20	Twin Seg
3	PB20498	20	20	Twin Seg
4	PB20523	20	20	Twin Seg
5	PB38502	20	20	Eraser
MFP5	N/A	N/A	N/A	MFP5
6	PB021002	20	20	Exp
7	PB021003	20	20	Exp

MICRONLINE PROFILE TOOLS

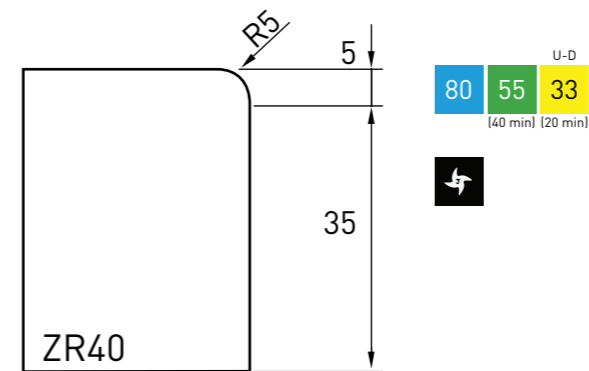
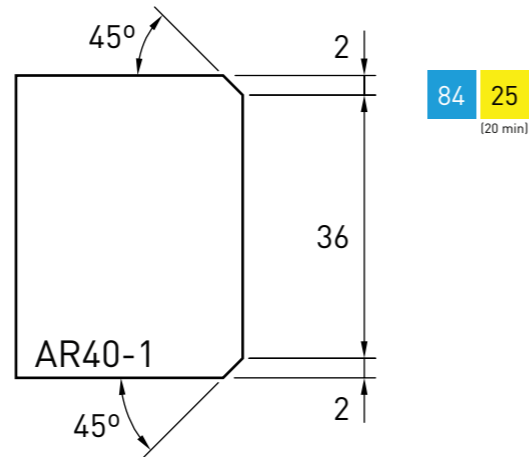
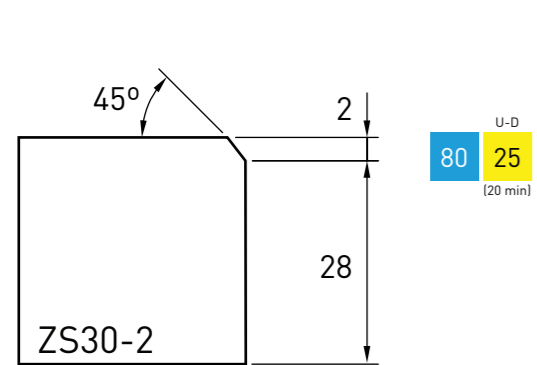


POS	CODE (FACE UP)	CODE (FACE DOWN)	DIAMETER EXTERNAL (MM)	DIAMETER INTERNAL (MM)	WHEEL TYPE
1	PB201097	PB201101	30	20	Twin Seg
2	PB201098	PB201102	30	20	Twin Seg
3	PB201099	PB201103	30	20	Twin Seg
4	PB201100	PB201104	30	20	Twin Seg
5	PB38502	PB38502	20	20	Eraser
MFP5	N/A	PB015068	20	20	MFP5
6	PB021026	PB021029	30	20	Exp
7	PB021027	PB021030	30	20	Exp

POS	CODE (FACE UP)	CODE (FACE DOWN)	DIAMETER EXTERNAL (MM)	DIAMETER INTERNAL (MM)	WHEEL TYPE
1	PB201105	PB201109	30	20	Twin Seg
2	PB201106	PB201110	30	20	Twin Seg
3	PB201107	PB201111	30	20	Twin Seg
4	PB201108	PB201112	30	20	Twin Seg
5	PB38502	PB38502	20	20	Eraser
MFP5	N/A	PB015007	20	20	MFP5
6	PB021129	PB021085	30	20	Exp
7	PB021130	PB021086	30	20	Exp

POS	CODE (FACE UP)	DIAMETER EXTERNAL (MM)	DIAMETER INTERNAL (MM)	WHEEL TYPE
1	PB201137	29	20	Twin Seg
2	PB201138	29	20	Twin Seg
3	PB201139	29	20	Twin Seg
4	PB201140	29	20	Twin Seg
5	PB38501	20	20	Eraser
MFP5	PB015073	20	20	MFP5
6	PB021072	37	20	Exp
7	PB021073	37	20	Exp

POS	CODE	DIAMETER EXTERNAL (MM)	DIAMETER INTERNAL (MM)	WHEEL TYPE
1	PB20511	20	20	Twin Seg
2	PB20512	20	20	Twin Seg
3	PB20513	20	20	Twin Seg
4	PB20524	20	20	Twin Seg
5	PB38501	20	20	Eraser
MFP5	N/A	N/A	N/A	MFP5
6	PB021002	20	20	Exp
7	PB021003	20	20	Exp



POS	CODE (FACE UP)	CODE (FACE DOWN)	DIAMETER EXTERNAL (MM)	DIAMETER INTERNAL (MM)	WHEEL TYPE
1	PB20581	PB20577	26	20	Twin Seg
2	PB20582	PB20578	26	20	Twin Seg
3	PB20583	PB20579	26	20	Twin Seg
4	PB20584	PB20580	26	20	Twin Seg
5	PB38502	PB38502	20	20	Eraser
MFP5	N/A	PB015064	20	20	MFP5
6	PB021044	PB021047	32	20	Exp
7	PB020045	PB021048	32	20	Exp

POS	CODE	DIAMETER EXTERNAL (MM)	DIAMETER INTERNAL (MM)	WHEEL TYPE
1	PB20610	26	20	Twin Seg
2	PB20611	26	20	Twin Seg
3	PB20612	26	20	Twin Seg
4	PB20613	26	20	Twin Seg
5	PB38501	20	20	Eraser
MFP5	N/A	N/A	N/A	MFP5
6	PB021105	28	20	Exp
7	PB021106	28	20	Exp

POS	CODE (FACE UP)	CODE (FACE DOWN)	DIAMETER EXTERNAL (MM)	DIAMETER INTERNAL (MM)	WHEEL TYPE
1	PB20441	PB20453	33	20	Twin Seg
2	PB20442	PB20454	33	20	Twin Seg
3	PB20443	PB20455	33	20	Twin Seg
4	PB20444	PB20456	33	20	Twin Seg
5	PB38501	PB38501	20	20	Eraser
MFP5	N/A	N/A	N/A	N/A	MFP5
6	PB021032	PB021035	33	20	Exp
7	PB021033	PB021036	33	20	Exp

NANOLINE PROFILE TOOLS

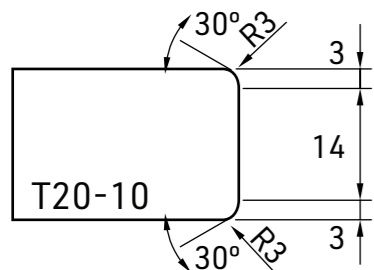


ID - Internal Diameter
ED - External Diameter



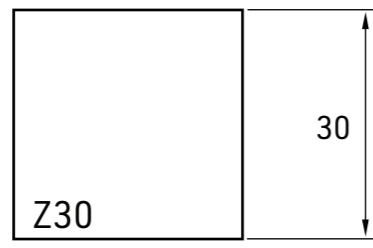
OPERATING PARAMETERS FOR WORKING WITH NANOLINE

POS	CODE	DIAMETER EXTERNAL (MM)	DIAMETER INTERNAL (MM)	SLAB THICKNESS (MM)	RPM (MIN-MAX)	FEED SPEED (MM/MIN)	STOCK REMOVAL (MM)	WHEEL TYPE
1	PB52092	10	10	20-30	6000-7000	600-1000	To Shape	Router
2	PB50117	10	10	20-30	6000-7000	600-1000	0.2-0.3	Router
3	PB50118	10	10	20-30	6000-7000	600-1000	0.15-0.2	Router
6	PB021398	10	10	20-30	3300-3800	750-1000	0.03-0.05	Express
7	PB021399	10	10	20-30	3300-3800	750-1000	Pressure	Express



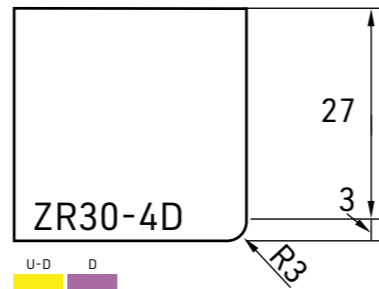
U-D
120 71 52 30
(40 min) (20 min)

D
30 71 30 ↻



D
80 60 50 10
(40 min)

40 20 ↻
(40 min) (20 min)



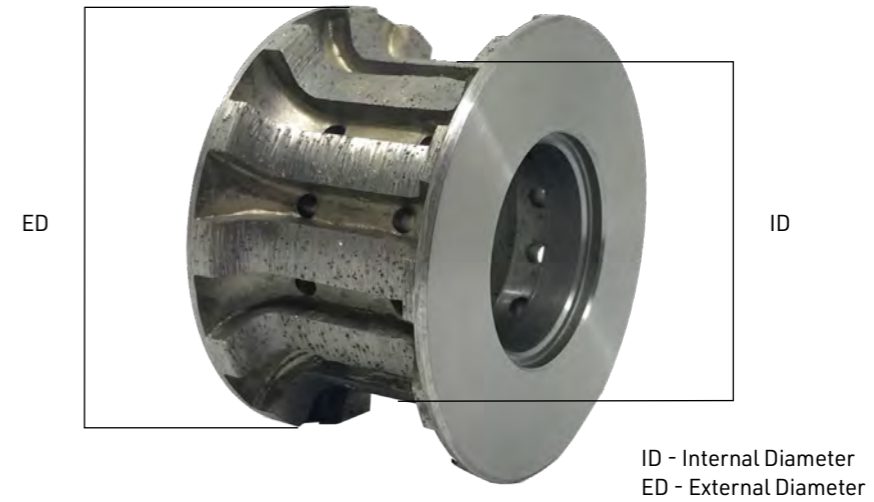
U-D D
30 25
(20 min)

POS	CODE	DIAMETER EXTERNAL (MM)	DIAMETER INTERNAL (MM)
1	PB52092	30	20
2	PB50117	30	20
3	PB50118	30	20

POS	CODE	DIAMETER EXTERNAL (MM)	DIAMETER INTERNAL (MM)
1	PB52092	10	10
2	PB50117	10	10
3	PB50118	10	10

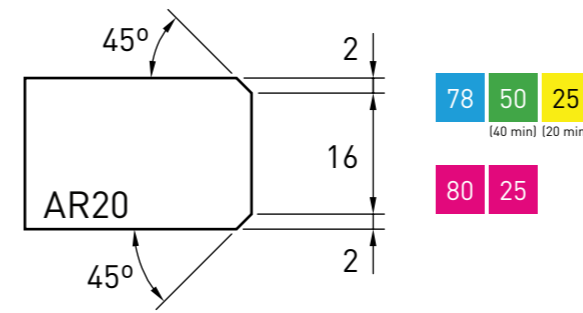
POS	CODE	DIAMETER EXTERNAL (MM)	DIAMETER INTERNAL (MM)
1	PB52092	25	10
2	PB50117	25	10
3	PB50118	25	10

UCSLINE PROFILE TOOLS



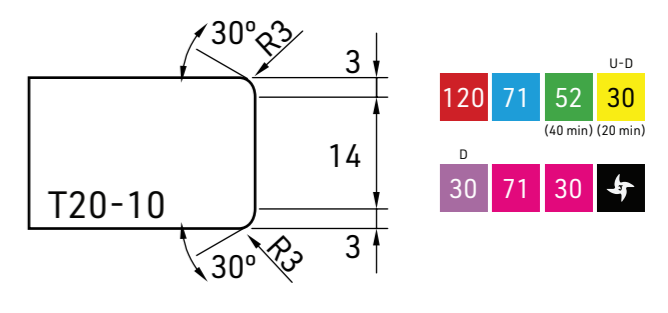
OPERATING PARAMETERS FOR WORKING WITH UCSLINE-FASTLINE

POS	SLAB THICKNESS (MM)	RPM (MIN-MAX)	FEED SPEED (MM/MIN)	STOCK REMOVAL (MM)	WHEEL TYPE
1	12-20	5500	400	To Shape	Segmented
2	12-20	5500	800	0.3	Continuous Rim
3	12-20	5500	800	0.1	Continuous Rim
4	12-20	5500	800	0.05-0.1	Continuous Rim
5	12-20	2500-3000	1200-1500	0.03-0.05	Express
6	12-20	2500-3000	1200-1500	0.03-0.05	Express
7	12-20	2500-3000	1200-1500	0.03-0.05	Express



78 50 25
(40 min) (20 min)

80 25



U-D
120 71 52 30
(40 min) (20 min)

D
30 71 30 ↻

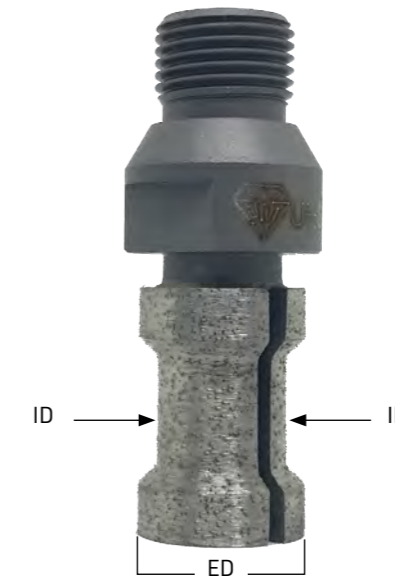
POS	CODE	DIAMETER EXTERNAL (MM)	DIAMETER INTERNAL (MM)	WHEEL TYPE
1	MT91005	78	70	Cr+S
2	MT91006	78	70	Cr+S
3	MT91007	78	70	Cr+S
4	MT91114	78	70	Cr+S
5	PB02013	68	60	Exp
6	PB02014	68	60	Exp
7	PB02015	68	60	Exp

POS	CODE	DIAMETER EXTERNAL (MM)	DIAMETER INTERNAL (MM)	WHEEL TYPE
1	MT91016	71	60	Seg
2	MT91017	71	60	Cr+S
3	MT91018	71	60	Cr+S
4	MT91143	71	60	Cr+S
5	PB021349	75	60	Exp
6	PB021350	75	60	Exp
7	PB021351	75	60	Exp

UCSLINE PROFILE TOOLS

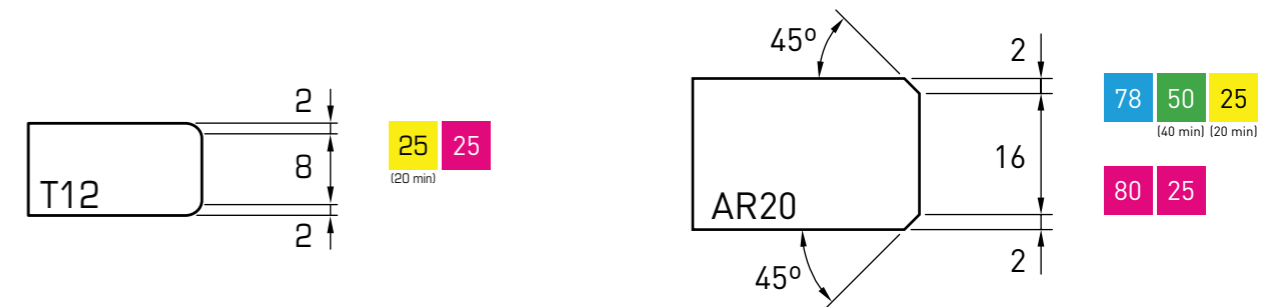


POS	CODE	DIAMETER EXTERNAL (MM)	DIAMETER INTERNAL (MM)	WHEEL TYPE
1	MT91008	80	80	Seg
2	MT91009	80	80	Cr+S
3	MT91010	80	80	Cr+S
4	MT91144	80	80	Cr+S
5	PB02403	80	80	Exp
6	PB02404	80	80	Exp
7	PB02405	80	80	Exp



ID - Internal Diameter
ED - External Diameter

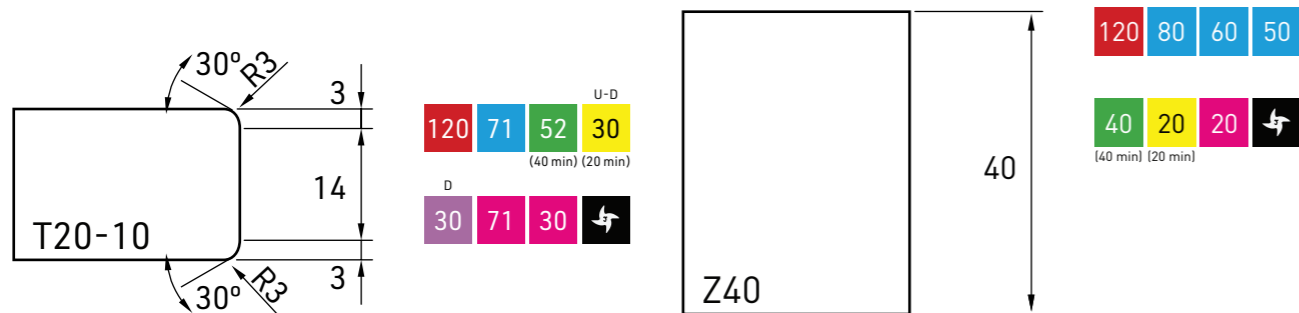
OPERATING PARAMETERS FOR WORKING WITH UCSLINE-MICRONLINE					
POS	SLAB THICKNESS (MM)	RPM (MIN-MAX)	FEED SPEED (MM/MIN)	STOCK REMOVAL (MM)	WHEEL TYPE
1	12-20-40	6500	1500-3000	To Shape	Segmented
2	12-20-40	6500	1500-4000	0.2-0.3	Segmented
3	12-20-40	6500	1500-4000	0.15-0.2	Segmented
4	12-20-40	5800	1000-1500	0.05	Segmented
5	12-20-40	5500	600	0.03-0.05	Express
6	12-20-40	3500	600	0.03-0.05	Express
7	12-20-40	3500	600	0.03-0.05	Express



POS	CODE	DIAMETER EXTERNAL (MM)	DIAMETER INTERNAL (MM)	WHEEL TYPE
1	MT90007	25	20	Twin Seg
2	MT90008	25	20	Twin Seg
3	MT90009	25	20	Twin Seg
4	MT90029	25	20	Twin Seg
5	PB021136	25	20	Exp
6	PB021137	25	20	Exp
7	PB021138	25	20	Exp

POS	CODE	DIAMETER EXTERNAL (MM)	DIAMETER INTERNAL (MM)	WHEEL TYPE
1	MT90016	25	20	Twin Seg
2	MT90017	25	20	Twin Seg
3	MT90018	25	20	Twin Seg
4	MT90035	25	20	Twin Seg
5	PB021004	28	20	Exp
6	PB021005	28	20	Exp
7	PB021006	28	20	Exp

UCSLINE PROFILE TOOLS



POS	CODE	DIAMETER EXTERNAL (MM)	DIAMETER INTERNAL (MM)	WHEEL TYPE
1	MT90019	30	20	Twin Seg
2	MT90020	30	20	Twin Seg
3	MT90021	30	20	Twin Seg
4	MT90048	30	20	Twin Seg
5	PB021149	37	20	Exp
6	PB021150	37	20	Exp
7	PB021151	37	20	Exp

POS	CODE	DIAMETER EXTERNAL (MM)	DIAMETER INTERNAL (MM)	WHEEL TYPE
1	MT90042	20	20	Twin Seg
2	MT90043	20	20	Twin Seg
3	MT90044	20	20	Twin Seg
4	MT90045	20	20	Twin Seg
5	PB021001	20	20	Exp
6	PB021002	20	20	Exp
7	PB021003	20	20	Exp

TOOL HOLDERS, ADAPTORS & CONSUMABLES

CNC / UCSLINE PROFILE TOOLS + TOOL HOLDERS, ADAPTORS & CONSUMABLES

ADI BT40 TOOL CONE

35x52mm Suits Denver, Thibaut, Cobalm, Burkhardt.

CODE
SL01542



ADI BT40 TOOL CONE

1/2" Gas Suits Denver, Thibaut, Cobalm, Burkhardt.

CODE
SL01544



ADI MAGNETIC ADAPTOR WITH SAFETY LOCK

Allows use of easy change magnetic locking type tools, such as ADI Drainboard Polishing tools. With rubber cushion and 1/2" Fitting.

CODE
SL02569



ADI PIN DRILL ADAPTOR

R1/2" External Thread & 10mm Bore with grub screws.

CODE
DPDADR



KONIG TORNADO RIDGID MAGNETIC COUPLING

Rigid coupling for adapting Tornado backed tools to R1/2" fitting. Features twist lock for added security.

CODE
KE12.230



ADI ADAPTOR FOR STUBBING WHEEL & DRAINBOARD TOOLS

From R1/2" to B50(3+3).

CODE
PB29015



TOOL HOLDERS, ADAPTORS & CONSUMABLES

ADI ADAPTOR FOR STUBBING WHEEL & DRAINBOARD TOOLS

Bore 35mm to B50(3+3).

CODE
SL01050



ADI PULL STUD SUITS THIBAUT

Locking stud used with ADI Tool Cones. Suits Thibaut (Old type), Denver, Park Industries and V.E.M.

CODE
SL01057



ADI PULL STUD SUITS THIBAUT

Locking stud used with ADI Tool Cones. Suits Thibaut (New type), Cobalm and Burkhardt.

CODE
SL01425



ADI ADAPTOR FOR ENGRAVING TOOL

From R1/2" male to 6mm Round Shank female.

CODE
SL02103



ADI DIAMOND ROUTER MANDREL

From R1/2" male to M12 thread fitting. 20mm diameter and a 55mm length.

CODE
DRM20ADIR



SILPAR TK LINE ZINC-BASED WHITE GREASE

Especially formulated white grease ideal for use with CNC tools. Due to its great adhesiveness and its contents of zinc oxide it is particularly recommended to protect, lubricate and avoid the jamming of bolts, clamps, joints, leverages, locks, engines and all equipments working in wet and corrosive environment.

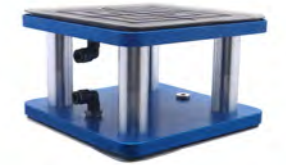
SIZE	CODE
250ml	TKL40.010



VACUUM CUPS

VACUUM CUPS

HEIGHT (MM)	SUITS	SIZE (MM)	LIP	INCLUDES	CODE
120	Cobalm	200x200	With Lip	Rubber Seal	VC.KS01019
120	Cobalm	200x55	With Lip	Rubber Seal	VC.KS02050
120	Cobalm	120x120	With Lip	Rubber Seal	VC.KS03055
120	Cobalm	150x150	With Lip	Rubber Seal	VC.KS03057
150	Thibaut	200x200	With Lip	Rubber Seal	VC.KS01025
150	Thibaut	200x55	With Lip	Rubber Seal	VC.KS02066
150	Thibaut	120x120	With Lip	Rubber Seal	VC.KS03071
150	Thibaut	150x150	With Lip	Rubber Seal	VC.KS03073



REPLACEMENT TOP PLATES

SIZE (MM)	LIP	INCLUDES	CODE
200x200	With Lip	Rubber Seal	VC.KS20012
200x55	With Lip	Rubber Seal	VC.KS20014
120x120	With Lip	Rubber Seal	VC.KS20003
150x150	With Lip	Rubber Seal	VC.KS20005

REPLACEMENT SEALS

"No Lip" and "With Lip" Seals are easily replaced and 100% interchangeable.

SIZE (MM)	LIP	CODE
200x200	With Lip	VC.KS23104
200x55	With Lip	VC.KS23202
120x120	With Lip	VC.KS23303
150x150	With Lip	VC.KS23305
200x200	No Lip	VC.KG23104
200x40 (Suits 200x55 Cup/Plate)	No Lip	VC.KG23202
120x120	No Lip	VC.KG23303
150x150	No Lip	VC.KG23305



Note: For all other heights, sizes and parts, ask your CDK Sales Representative

HOW TO REPLACE SEAL



STEP 1: Removing the old seal; simply pull out of the groove



STEP 2: Press in the new seal. The seal type can also be changed if you wish.



EQUIPMENT

SECTION 5



MAXIMISE THE LIFE OF YOUR DIAMOND TOOLS!

ADI are the European leaders in industrial diamond tools. Made in Italy, ADI are renowned for producing the highest quality diamond tools for stone, ceramics, mechanics, glass and optics industries. ADI's dedication to quality and service has seen them offer their customers an exclusive re-dressing service with a fast turnaround time.

ADI's re-dressing program is designed to provide customers with a cost-effective solution for rejuvenating their worn-out diamond tools. The program involves taking customers' used diamond tools and re-dressing them to restore their original profile and performance. Conducted in ADI's USA factory, the re-dressing process is carried out using advanced

machinery and tools, and the result is a tool that performs as good as new but at a fraction of the cost of buying a new one.

Each tool undergoes a complete technical analysis by an ADI certified technician. The tool is then measured, logged and undergoes the precision process of electrical discharge machining, then re-shaping and re-dressing the tools to their original factory specifications.

Overall, ADI's re-dressing program helps customers save money by extending the life of your diamond tools and reducing your overall tooling costs.



CONTACT YOUR CDK STONE SALES REPRESENTATIVE TODAY TO DISCUSS HOW YOU CAN MAXIMISE YOUR ADI CNC TOOLS!

COUPLINGS & ARBORS	126
CONSUMABLES	131
HANDLING EQUIPMENT	136

COUPLINGS & ARBORS

DIAREX WATER SWIVEL

12mm straight shank and 10mm female fitting with grub screws.

CODE
CDWSS10



ADI WATER SWIVEL STANDARD

12mm straight shank and R1/2" internal thread.

CODE
CDWSSSR



DIAREX SNAIL BACK COUPLING

Rubberised coupling for use on hand-held machines and edge processors.

SIZE	THREAD	CODE
100mm	M14	DCOUP10A
130mm	M14	DCOUP13A



THREAD ADAPTOR (INTERNAL)

With R1/2" internal and M14 internal threads.

CODE
KE10.100.01



THREAD ADAPTOR (EXTERNAL)

With R1/2" external M14 external threads.

CODE
KE10.100.06



KÖNIG

KONIG TORNADO MINI COUPLING SYSTEM

Magnet quick-change system for diamond grinding pads. High-quality aluminum sanding pad with water distributor for wet or extraction use. Features 4 holding magnets for a perfect hold.

High-quality galvanized, flexible holding plates with Velcro hooks. Set consisting of mounting plates and 6 holding plates. Developed and manufactured in Germany, this coupling system features a 100mm diameter with a M14 attachment.

PRODUCT	CODE
Coupling	KE11.100
Attachment	KE11.120



KONIG TORNADO EDGE COUPLING SYSTEM

Revolutionary quick-change system for edge polishing machines. Tools can be changed within a few seconds thanks to the magnetic lock.

This system minimizes set-up costs on the edge polishing machine and increases productivity. Features a corrosion protection through anodized aluminum plate.

Developed and manufactured in Germany, the Tornado Edge system features a magnetic coupling plate and a snail coupling plate. M30 connector.

PRODUCT	CODE
Magnetic Coupling Plate	KE11.200
Snail Coupling Plate	KE11.210



KONIG TORNADO EDGE SPECIAL KEY

Special key for Tornado Edge system. Tool allows for quick changing of tools and securing tools in place.

CODE
KE11.200.01



KONIG TORNADO EDGE WALL BRACKET

Wall bracket for Tornado Edge system. The bracket allows for housing of the coupling plates.

CODE
KE11.290



COUPLINGS & ARBORS

FRANKFURT PLASTIC ATTACHMENT SHOE

Plastic Attachment Shoe. Easily converts plain plates to accept Frankfurt Abrasives. Comes complete with four bolts.

CODE
LAXFATSHOE



FRANKFURT ALUMINIUM ATTACHMENT STRIPS

Aluminium strips to accept Frankfurt Abrasives. [pair].

CODE
LAXFATSTRIP



PADHEAD II POLISHING & HONING HEAD

Padhead II 7" has 3 heads and is suitable for 75mm diameter wet polishing pads. The PadHead polishing & honing heads are designed to polish and hone flat surfaces utilizing multiple free rotating heads working off of the resistance of friction principle to accomplish its superior surface cutting action.

SIZE	CODE
7"	PADHEADII7



KONIG TORNADO RUBBERISED MAGNETIC COUPLING

Rubberised coupling for use on hand held machines, multi purpose machines and edge processors.

SIZE	THREAD	CODE
80mm	M14	TCOUP08A
80mm	5/8"	TCOUP08D



DIAREX®

DIAREX RIGID RUBBER QRS BACK PAD

Low flexibility rubber backer. Made from high quality rubber with hook and loop Velcro. Central hole for wet polishing.

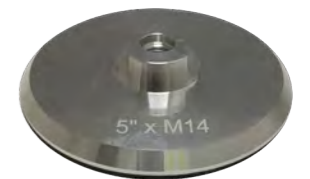
SIZE	THREAD	CODE
75mm	M14	VCOUP07A
100mm	M14	VCOUP10A
130mm	M14	VCOUP13A



DIAREX RIGID ALUMINIUM QRS BACKING PAD

Rigid Aluminium for a more precise, efficient and durable polishing process. With hook and loop Velcro. Central hole for wet polishing.

SIZE	THREAD	CODE
100mm	M14	VCOUP10AA
130mm	M14	VCOUP13AA



DIAREX SUPER FLEXIBLE RUBBER QRS BACKING PAD

Super flexibility rubber backer. For curved or irregular shapes and/or soft delicate surfaces. Made from high quality rubber with hook and loop Velcro. Central hole for wet polishing.

SIZE	THREAD	CODE
100mm	M14	VCOUP10AF
130mm	M14	VCOUP13AF



DIAREX SEMI-RIGID PLASTIC QRS BACKING PAD WITH 10MM FOAM CUSHION

10mm foam cushion allows for use on irregular surfaces, soft and delicate surfaces. Great for final polishing without swirl marks or imperfections. Central hole for wet polishing.

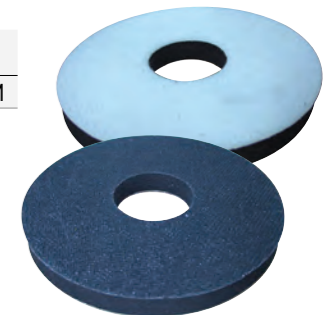
SIZE	THREAD	CODE
100mm	M14	VCOUP10ASR
125mm	M14	VCOUP12ASR



DIAREX FOAM CUSHION INSERT WITH QRS BOTH SIDES

12mm thick to create extra cushion for irregular or soft delicate surfaces. Hook one side, Loop one side. Central hole for wet polishing.

SIZE	THICKNESS	CODE
100mm	12mm	VCOUP10FOAM



COUPLINGS & ARBORS

DIAREX PLASTIC QRS BACKING PLATE WITH SNAIL BACK

SIZE	CODE
100mm	VCOUP10S
130mm	VCOUP13S

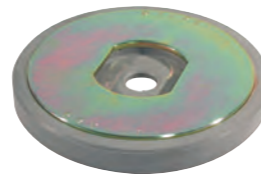
Available in a rigid design.



DIAREX QRS BACKING PLATE WITH TORNADO FITTING

SIZE	VERSION	CODE
100mm	Rigid Plastic	VCOUP10TR
100mm	Rubberised	VCOUP10TSR
130mm	Rubberised	VCOUP13TSR

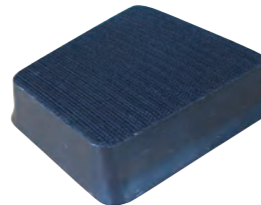
Available in a rigid plastic design or a rubberised design.



DIAREX FRANKFURT PLASTIC QRS BACKING PLATE

CODE
VCOUPFR

Ideal for attaching QRS polishing pads to large polishing plates.

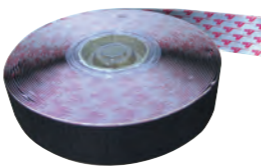


REPLACEMENT HOOK & LOOP

50mm self adhesive hook and loop.
100mm plain backed hook and loop.

SIZE	CODE
50mm	VELCRO050HSA
100mm	VELCRO100H

PIECES PER BOX	25 meter box. Sold per meter
----------------	---------------------------------



CONSUMABLES

KONIG BLUE RESIN SHARPENING BLOCK

SIZE	CODE
32x32x55cm	KD31.145

For sharpening blades with hard bond.



KONIG SILICON CARBIDE SHARPENING BLOCK

CODE
KD31.125

For blades with soft bond.



ADI DRESSING STICK

POSITION	CODE
1	3B00003
2	3B00087
3 Metal	3B00088

Easy to use, professional abrasive sticks for dressing of diamond router tools. Ensures optimum diamond tool performance and lifespan. Use with plenty of water.



HERZO VACUUM CUTTING SHROUD

SIZE	CODE
125mm	5ULEVC

125mm Angle Grinder dust shroud for cutting designed to give workers a no-dust environment. Universal kit for nearly all brand angle grinders.

PIECES PER BOX	1
----------------	---



HERZO VACUUM GRINDING SHROUD

SIZE	CODE
125mm	5ULEVG

125mm Angle Grinder dust shroud for grinding designed to give workers a no-dust environment. Universal kit for nearly all brand angle grinders.

PIECES PER BOX	1
----------------	---



WHITE NYLON POLISHING PAD NON - ABRASIVE

CODE
CA.FP-635

Ideal for removing stubborn dirt, applying sealers and polishing with MPP.



CONSUMABLES

DIAREX SINKLOC

Ideal tool for quick, precise positioning and temporary holding of under-mount sink bowls, enabling easy, one-person installation.

SIZE	CODE
24"	HE.DRXSL24
42"	HE.DRXSL42



DIAREX GLUE ON SINK ANCHORS

No-drill, steel sink anchors that adhere to the underside of benchtops for securing sink installations. The kit includes size anchors.

CODE
HE.DRXSAKIT



DIAREX FIBREGLASS REINFORCING

Fibreglass Reinforcing. 100m roll.

SIZE	CODE
10x3mm	KK10.196



PENTEL WHITE CORRECTION PEN

The Pentel Correction Pen is a multi-purpose tool which can be used to fix and cover up your mistakes. The quick drying fluid flows smoothly from the fine nib, which gives you greater control.

COLOUR	CODE
White	PENTELCPF



SMALL TOOL

High quality carbon steel. One piece drop forged. Precision ground and tempered. Great for mixing and applying adhesives.

CODE
SMALLTOOL19



CALICO RAG BUFF

The Calico Rag Buff is a cotton polishing wheel used to achieve a smooth, glossy finish by distributing polishing compounds evenly while absorbing excess.

Available in 4, 5 and 8" diameters with 100 and 200 folds.

SIZE	CODE
M14	RAGADA
4"	RAGB4/100
5"	RAGB5/100
8"	RAGB8/100



PICA INK MARKER

Marks on almost all kinds of dry surfaces. Convenient quiver cap with special clip for perfect one handed handling. Permanent alcohol-based ink, removable from glossy surfaces with alcohol and other usable solvents.

COLOUR	CODE
Red	PICA150/40
Blue	PICA150/41
Black	PICA150/46



PICA DRY PEN GRAPHITE

Graphite lead 2B that marks on almost any surface, whether dry, wet, glossy, rough or dusty. Convenient quiver cap with integrated sharper & clip for one handed handling. Push mechanism for automatic lead feed in a steel tube. Different colour refills available, all refills are sold separately.

COLOUR	CODE
Graphite	PICA3030



OPTION	SIZE	COLOUR	CODE
Refill	8 Pack	Graphite, Red & Yellow	PICA4020
Refill	10 Pack	Graphite	PICA4030
Refill	10 Pack	Red	PICA4031
Refill	8 Pack	Blue, Green & White	PICA4040
Refill	10 Pack	White	PICA4043
Refill	10 Pack	Graphite H	PICA4050
Refill	8 Pack	Graphite 2B, Red & White	PICA4070

PICA BIG DRY CONSTRUCTION MARKER GRAPHITE

The Refillable Carpenter Push-Pencil with lead sharpener. Very robust and long-lasting. Automatic lead feed at the push of a button. Refillable with different leads for versatile capabilities.

COLOUR	CODE
Graphite	PICA6060



OPTION	SIZE	COLOUR	CODE
Refill	12 Pack	Graphite	PICA6030
Refill	12 Pack	Graphite, White & Red	PICA6045
Refill	12 Pack	Graphite 2H	PICA6050
Refill	12 Pack	Graphite/Black	PICA6051
Refill	12 Pack	Graphite 10H	PICA6055
Refill	12 Pack	Graphite 2B, Red & Yellow	PICA6070

PICA VISOR PERMANENT MARKER

The Refillable "MULTI-USE" Marker. For all material surfaces, from glossy to very rough. Refillable in a few seconds with water resistant "MULTI-USE" marking crayon that never dries out. Extremely insensitive and versatile for water resistant marking on almost all surfaces. Twist mechanism for rapid and convenient handling. Convenient quiver cap with clip for perfect one handed handling. Available in 4 colours and refills sold separately.

COLOUR	CODE
Red	PICA990/40
Blue	PICA990/41
Yellow	PICA990/44
White	PICA990/52



OPTION	SIZE	COLOUR	CODE
Refill	4 Pack	Red	PICA991/40
Refill	4 Pack	Blue	PICA991/41
Refill	4 Pack	Yellow	PICA991/44
Refill	4 Pack	White	PICA991/52

CONSUMABLES

ARDELL SINGLE EDGED RAZOR BLADES

Highest quality USA blade, carbon steel, 0.009" thick. 2 - facet, steel back. Fits all single edge scrapers. Individually wrapped.

PIECES PER PACK 100

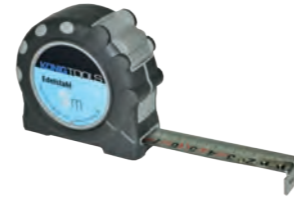
CODE
RAZORSEA



KONIG MEASURING TAPE

5m Nylon Coated Tape with Stainless Steel Spring.

CODE
SSTAPE05



STAEDTLER PERMANENT WAX PENCILS

Waterproof wood-cased pencil in up to 6 colours. Packs of 12 (not sold separately). Opaque marking on almost all surfaces even on dark or transparent ones, e.g. Paper, Plastic, Metal, Glass, Wood, Leather and Stone. Non-corrosive colour pigments.

PIECES PER BOX 12

COLOUR	CODE
White	STD808-0
Yellow	STD808-1
Red	STD808-2
Black	STD808-9



DIAMOND GUARD 345S LOW TACK PROTECTIVE FILM

Diamond Guard 345S Low Tack Protective Film now covers a wider range of applications. Diamond Guard 345S Low Tack Protective Film is suitable for most situations both indoors and outdoors. This self adhesive protective film will protect newly installed stone and prevent scratching.

- Rolls are 650mm (W) x 100m (L).
- Self adhesive
 - does not require tape or additional fixing.
- Stays in place
 - once smoothed into position Diamond Guard will not fall away.
- Forms an effective barrier against splashes and prevents scratching.
- Removes cleanly and easily.
- Water resistant core.
- UV protected
 - maximum 3 months.
- Custom printing.



**Covered...
because we care!**
Just like a precious stone,
this surface commands respect!



SIZE	CODE
650mm x 100m	DG345SLTS

Custom printing with your company logo

With custom printing, we offer 3 options. You can have your company's logo in a single colour, two colours and up to 3 colours in total! Custom printing is reserved for bulk buys only, with a minimum order quantity of 80 rolls.

Pica - Dry[®]
Longlife Automatic Pencil



The **new** standard.

THE ORIGINAL



Maximum protection against Dust & Moisture

The push-button as umbrella cap and barrel with sealing ring cause a maximum all-round protection against external influences.



Power Lock

The new Pica-Dry[®] with newly developed Power-Lock mechanism offers a 3x higher and longer holding power than its predecessor – the best in its class until now. This reduces the possibility of the lead slipping in during long-term use to a minimum.

3x

more holding power



Optimized design

New grip zones support the pull out and enhance the haptic experience. The sealing ring gives the closure a noticeable end point.



The new grip zone is a significant improvement for orientation.

HANDLING EQUIPMENT

DIAREX SINGLE CUP LIFTER WITH LEVER ACTION

CODE
HE.HG01L

Easy to use – suction is created by single handedly pulling the handles together. When released, suction is lost.



DIAREX TWIN CUP VACUUM LIFTER

CODE
HE.HG02

Universal suction lifter for handling all kinds of loads. Please Note: Load Capacity 60kg vertically, 80kg horizontally.



DIAREX TRIPLE CUP VACUUM LIFTER

CODE
HE.HG03

Triangular formation allows even distribution of pressure to reduce strain on material.



DIAREX 200MM VACUUM GRIPPER

CODE
HE.HG01HP8

200mm single vacuum cup with 100kg (GS 65kg*) lifting capacity. Full metal handle with brass pump. Includes protective carry case and cover. All-metal handle/pump assembly with flat pad for flat surfaces. Vacuum leakage indicator with suction quick release button.



*Safety factor is 2 under GS (German Safety) requirements.

DIAREX SEAM LEVELLER

CODE
HE.SEAMLEV1

Ideal for levelling small pieces.



DIAREX SEAMSET

CODE
HE.SEAMSET

Diarex SeamSet features 117mm vacuum cups with a screw tensioner and one leveling point.



DIAREX®

DIAREX SEAMSET2

CODE
HE.SEAMSET2

With an easy-to-use ratchet system, the SeamSet2 pulls benchtops into position to achieve perfect joins. 200mm vacuum cups. Two leveling points eliminate lippage.



DIAREX SEAMSET A

CODE
HE.SEAMSETA

Diarex SeamSet A features two 117mm vacuum cups with screw tensioner and two leveling points.



DIAREX STONE CARRY CLAMP SET TWIN-HANDLE

CODE
HE.DRXSCC

Diarex Stone Carry Clamp Set Twin-Handle (2 Clamps per set) can lift 160kg per clamp. Used in pairs these clamps allow two people to handle stone panels with ease.



DIAREX WATERFALL SET

CODE
HE.MITRESET

Ideal for clamping waterfall ends. Set of 2 clamps.



DIAREX WATERFALL SETTING TOOL

CODE
HE.WATERFALLSET

90 degree setting tool with heavy duty construction for full-size waterfall mitres. Features a twin ratchet system and 6 points of adjustment, 200mm vacuum cups with metal bodies and brass pumps, a quick vacuum release lever and tab for easy removal. Features an indicator for pressure loss and non-marking nylon feet.



HANDLING EQUIPMENT

MITREFORMA MITRE CLAMP

MitreForma Clamp, is designed for creating a mitred fascia in a quick, precise and fool-proof way. The clamp creates high quality 90 degree seams. Available in two sizes, the MitreForma Clamp cuts preparation time by up to 75% and saves valuable labour time.

SIZE	CODE
130mm	HE.MF130
320mm	HE.MF320

PART	CODE
Replacement glue catcher - 40 pack	HE.MF40GC



OMNI CUBED PRO STEALTH SEAMER MANUAL

The Pro Stealth Seamer Manual joins, levels, and flattens stone to help you consistently produce invisible seams. The product's design allows you to view the seam, adjust, apply adhesive & scrape the seam while it's in use.

CODE
HE.OMCPSS



OMNI CUBED PRO STEALTH SEAMER AUTOMATIC

The Pro Stealth Seamer Auto system includes a powerful compact vacuum pump that maintains pressure for all cups & runs on AC power or AA batteries for any install situation.

CODE
HE.OMCPSSA



OMNI CUBED STEALTH SEAMER 90DEG AUTOMATIC

The Stealth Seamer 90° Auto is the ideal solution for waterfall edges, mitered aprons, butt-joints, and compound corners. It is the only 90° seamer that can also be inverted for inside corners.

CODE
HE.OMCSS90DA



OMNI CUBED STEALTH SEAMER 90DEG MANUAL

The Stealth Seamer 90° Manual is perfect for waterfall edges, mitered aprons, butt-joints, and compound corners. It is the only 90° seamer that can also be inverted for inside corners.

CODE
HE.OMCSS90DM



OMNI CUBED STEALTH SEAMER NANO MANUAL

The Nano Stealth Seamer Manual manually joins and levels glass and stone to consistently create high-quality, even seams with more control and less effort than traditional methods.

CODE
HE.OMCSSNM



OMNI CUBED STEALTH SEAMER NANO AUTOMATIC

The Nano Stealth Seamer Automatic automatically joins and levels glass and stone to consistently create high-quality, even seams with more control and less effort than traditional methods.

CODE
HE.OMCSSNA



OMNI CUBED PRO-CART AT2

The Pro-Cart AT2 is designed to overcome the challenges of rough terrain. The cart easily and safely transports very large stone, reducing the physical burden on workers. Features a 110mm max clamp opening.

CODE
HE.OMCAT2



OMNI CUBED PRO-LIFT AUTOMATIC SUPER DUTY LIFTING CART

The Pro-Lift Automatic provides a safer means of stone transportation and installation. The cart can be used to lower, lift, and roll extremely large pieces during install.

CODE
HE.OMCPLA



OMNI CUBED PRO-DOLLY HD1

The Pro-Dolly HD1 allows easier transport and installation of benchtops. An aluminum frame makes this dolly extremely compact and lightweight at only 9.5kg, yet strong enough to accommodate a 340kg load.

CODE
HE.OMCPRODOLLY



OMNI CUBED PRO-DOLLY HD2

The dolly's low profile allows more clearance for tall pieces through doorways. This product is often used in pairs to handle extra large pieces (up to 907kg).

CODE
HE.OMCPRODOLLY2



OMNI CUBED SINK HOLE SAVER EDGE

The Sink Hole Saver Edge is the perfect solution for protecting cutouts, splashbacks, and other fragile pieces during fabrication, transportation, and installation. Features four manual vacuum pods.

SIZE	CODE
4"	HE.OMC4101SHSE17
6"	HE.OMC6101SHSE17
8"	HE.OMC8101SHSE17



HANDLING EQUIPMENT

OMNI CUBED ANGLE BRACKET

Angle bracket for use on Sink Hole Saver.

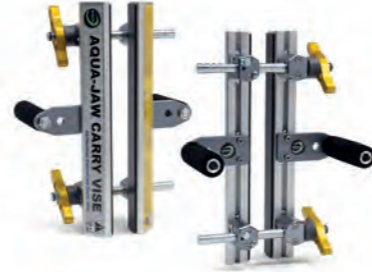
CODE
HE.OMCAB-SHS



OMNI CUBED AQUA-JAW CARRY VISE

Designed to not slip off wet stone. Stays attached when going up stairs. Vise-grip holds evenly to stone for safer, easier carrying.

CODE
HE.OMCAQJ



OMNI CUBED MEGA-JAW CARRY VISE

Quick and easy gravity-assisted carry clamps. Promotes safe and proper lifting to reduce strain and injury. Works great for carrying thick materials and concrete benchtops.

CODE
HE.OMCMEG



OMNI CUBED LAM-CLAMP EDGE LAMINATING CLAMP

The Lam-Clamp has revolutionized benchtop edge laminations by exceeding traditional methods in efficiency, seam quality, and durability.

SIZE	CODE
4"	HE.OMCLC1220
6"	HE.OMCLC1830



OMNI CUBED MITER-IT

The Miter-It is an easy-to-use jig that allows finished-side-up miter laminations. The jig's weight and non-marking, non-skid contact surface hold the product and miter piece in place. For mitering 4cm - 15cm capacity.

CODE
HE.OMCMITER-IT



OMNI CUBED MITER-IT CORNER

The Miter-It Corner is an easy-to-use jig that allows finished-side-up corner miter laminations. The jig's weight and non-marking, non-skid contact surface hold the product and miter piece in place. For mitering 4cm - 15cm capacity.

CODE
HE.OMCMITER-ITC



OMNI CUBED SINK HOLE SAVER 4" AUTOMATIC

The Sink Hole Saver Automatic is a automatic surface-mounted reinforcement system that strengthens fragile materials and protects cut outs during lifting.

CODE
HE.OMCSHS-4A-20



OMNI CUBED SINK HOLE SAVER 4" MANUAL

The Sink Hole Saver Manual is a manual surface-mounted reinforcement system that strengthens fragile materials and protects cut outs during lifting.

CODE
HE.OMCSHS-4M-20



OMNI CUBED SINK HOLE SAVER 7" AUTOMATIC

The Sink Hole Saver Automatic is a automatic surface-mounted reinforcement system that strengthens fragile materials and protects cut outs during lifting.

CODE
HE.OMCSHS-7A-20



OMNI CUBED SINK HOLE SAVER 7" MANUAL

The Sink Hole Saver Manual is a manual surface-mounted reinforcement system that strengthens fragile materials and protects cut outs during lifting.

CODE
HE.OMCSHS-7M-20



HANDLING EQUIPMENT

GRABO®

GRABO

The Grabo is a fully portable electric vacuum intended to lift, move and place everything from tiles and plasterboard to furniture and large appliances. Now with a suction gauge, The Grabo can hold up to 170kg and grab almost any surface with ease.

This vacuum lifter is a new and revolutionary way to lift and handle tiles, glass, concrete, plasterboard, furniture and much more. Rough, textured, dusty or wet, the Grabo grabs them all. With a 1.5 hour run time, the Grabo makes positioning stone and tiles easy.

The kit contains two batteries, a fabric bag and a replacement rubber seal



CODE
HE.GRABO



GRABO PRO

The Grabo Pro Lifter is designed for professionals, with a fully portable electric vacuum intended to lift, move and place everything from tiles and plasterboard to furniture and large appliances.

- 2 hour charge for 1.5 hour work time.
- Up to 170kg of holding force.
- Rough, textured, dusty or wet Grabo grabs them all.
- The foam rubber vacuum seal is strong and resistant to loss of vacuum pressure.
- Slimline ergonomic handle for better grip and less fatigue when moving heavy objects.
- Use for all surface types, with automatic stop function at 11.6Psi, digital display and electronic pressure gauge.
- Automatic vacuum monitor, if pressure is lost the pump is automatically powered until vacuum pressure is restored.
- Designed for flooring professionals, glass installers, carpenters, movers, construction workers and more.

CODE
HE.GRABOPRO20



GRABO OTTOVAC

The Grabo Ottovac is designed for tilers and glaziers and is ideal for easy lifting of glass and small to medium tiles. Featuring an automatic sensor, suction indicator and an ergonomic design, the Ottovac is rated to lift 200kgs and runs off four AA batteries. When the vacuum level drops below -55 kPa, the pump will automatically restart, reaching the optimum pressure.

CODE
HE.OTTOVAC



METIKAM STONE

NEW HANDLING AND STORAGE EQUIPMENT

Developed and manufactured in Poland, Metikam Stone has become the leader for stone storage and handling equipment in Europe. Made to the highest standard, Metikam have a reputation for creating robust, high quality tools that you can rely on.

EQUIPMENT - HANDLING EQUIPMENT

METIKAM RACK POST BASE

Steel post base for accurate setting of slab lean. Designed for use with slab and bundle rack posts with a height of 1500, 1800 or 2000mm.

CODE
HE.MKSPB



METIKAM SLAB RACK POLE

Galvanized supporting post for Metikam Slab Rack system. Available in 1500mm and 1800mm sizes.

SIZE	CODE
1500mm	HE.MKSRP1500
1800mm	HE.MKSRP1800
2000mm	HE.MKSRP2000



METIKAM STRONG SLAB RACKS

Each rail has 43 holes, supporting posts are placed in them, which deviate from the vertical at an optimal angle, supporting the weak ones along their entire length, which significantly reduces the risk of breakage of the panels.

RAIL SIZE (MM)	POST SIZE (MM)	CODE
120×190×3000	60×60×4 and a length of 1500-2000	HE.MKSSR3.0



HANDLING EQUIPMENT

METIKAM UNIVERSAL TRANSPORT BUGGY

This single sided frame is rated to lift 500kg and ensures convenient and safe transport of both ready-made stone elements and slabs. Featuring heavy duty rubber wheels, this trolley also features a non-marking grip to ensure slabs are secure.

SIZE (MM)	MAX LOAD CAPACITY	CODE
1400x830x1225	500kg	HE.MKSSB



METIKAM SELF UNLOADING CONTAINER

This solid container is rated to hold 1000kg and features a self-unloading mechanism that ensures quick and safe emptying of the container. Featuring easy to manoeuvre wheels, this table also features a drain tap that makes it possible to get rid of the water accumulated on the bottom.

SIZE (MM)	WEIGHT	CODE
1177x800x625	100kg	HE.MKSUC



METIKAM TRANSPORT FRAME LARGE

This double sided frame has a load height of 1620mm and is rated to lift 1500kg. This premium quality transporting frame also includes 8 pressure poles and has been hot-dip galvanised to increase the tool's life.

SIZE (MM)	WEIGHT	CODE
2400x1110x1800	160kg	HE.MKTRLG



METIKAM TRANSPORT FRAME SMALL

This double sided frame has a load height of 1170mm and is rated to lift 1500kg. This premium quality transporting frame also includes 8 pressure poles and has been hot-dip galvanised to increase the tool's life. Optional wheel kit available.

SIZE (MM)	WEIGHT	CODE
2000x1110x1475	140kg	HE.MKTRSM



METIKAM DRAGON FORKIFT BOOM

This two arm boom has a maximum projection of 3500 mm and is rated to lift 2500kg. This premium quality boom also features a mast tilt angle adjustment and has been hot-dip galvanised to increase the tool's life.

SIZE (MM)	MAX LOAD CAPACITY	CODE
3000x600x800-1100	2500kg	HE.MKFB



METIKAM STONE

METIKAM WHEEL KIT FOR TRANSPORT FRAME

2 x fixed wheels and 2 x Swivel wheels for use with Metikam Transport Frames.

SIZE (MM)	MAX LOAD CAPACITY	CODE
1400x830x1225	500kg	HE.MKTRWK



METIKAM ADJUSTABLE WORKSHOP TABLE

This solid work bench is rated to lift 500kg and features a height adjustment of 800mm - 1100mm. Featuring grooved rubber on all of the top edges to prevent the stone from moving during processing, this table also features adjustable distance beams between to allow for processing of smallest pieces.

SIZE (MM)	MAX LOAD CAPACITY	CODE
2000x600x800-1100	500kg	HE.MKWT



METIKAM ADJUSTABLE WORKSHOP TABLE II

This solid work bench is rated to lift 500kg and features a height adjustment of 800mm - 1100mm. Featuring grooved rubber on all of the top edges to prevent the stone from moving during processing, this table also features adjustable distance beams between to allow for processing of smallest pieces.

SIZE (MM)	MAX LOAD CAPACITY	CODE
3000x600x800-1100	500kg	HE.MKWT2

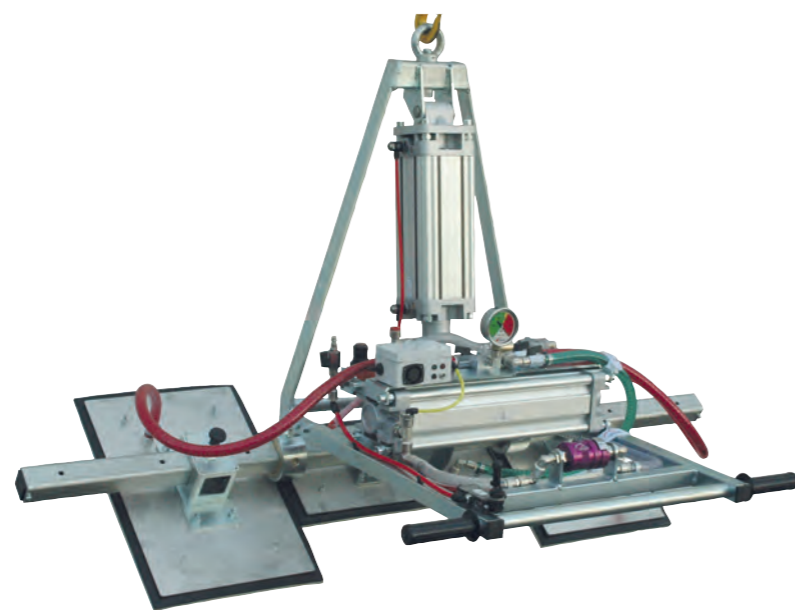


HANDLING EQUIPMENT



MANZELLI TOPLINE VACUUM LIFTER VAM 3 PN

- Powered with compressed air ejector with aluminium silencer. Pressure for the rotation at 6 Bar. Operating pressure 3.5 bar for creating vacuum.
- Air consumption 95 l / min.
- Plates and counter suction plates in stainless steel.
- Individual plate isolation by means of slider valve.
- Vacuum gauge in stainless steel with coloured scale.
- Aluminium reserve vacuum tank.
- Electric self governing luminous acoustic alarm system with solar panel and battery charger.

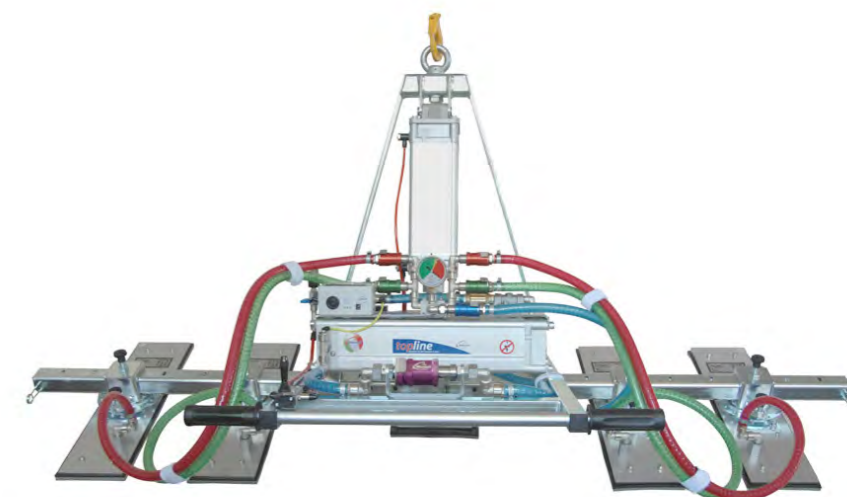


LIFTING CAPACITY	NUMBER OF PADS	PAD SIZE (MM)	MAX. LENGTH (MM)	HEIGHT (MM)	WEIGHT
625kg	3	2x450x300 + 1x450x200	2000	870	69kg

CODE
VAM3PN/0625

MANZELLI TOPLINE VACUUM LIFTER VAM 5 PN-530 TKL SG

- Powered with compressed air ejector with aluminium silencer.
- Exercise pressure for rotation 6 Bar.
- Operating pressure 3.5 bar for creating vacuum.
- Air consumption 95l/min.
- Welded steel structure.
- Plates and counter suction plates in stainless steel.
- Plate connection and disconnection by means of slider valve in anodised aluminium locking in the "connect position".
- Vacuum gauge in stainless steel dipped in glycerine with coloured scale in view to facilitate the control of the vacuum's grade in the "connect" position.
- Reserve aluminium vacuum tank.
- Electric-powered self governing luminous acoustic alarm system with solar panels completed of battery charger.

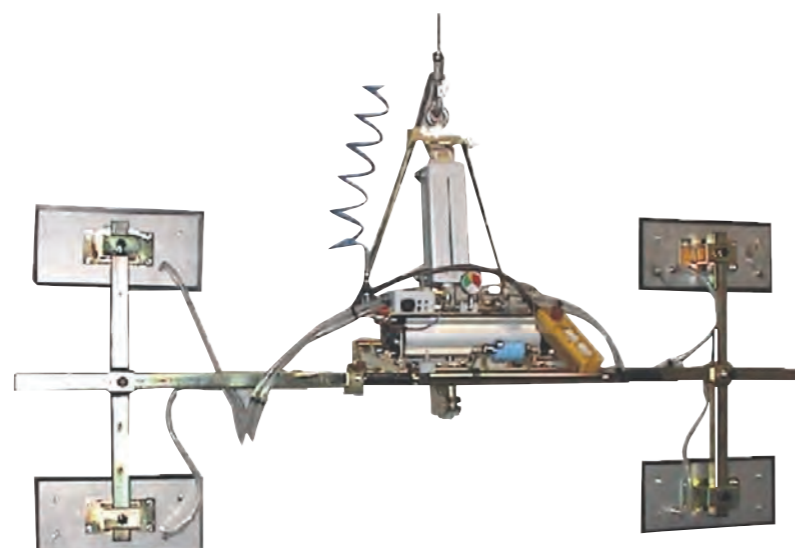


CODE
VAM5PN/530KTL SG+

LIFTING CAPACITY	NUMBER OF PADS	PAD SIZE (MM)	MAX. LENGTH (MM)	HEIGHT (MM)	WEIGHT
500kg	4	450x200	2310	870	90kg

MANZELLI TOPLINE VACUUM LIFTER VAM 4 PN TK

- Powered with compressed air ejector with aluminium silencer.
- Pressure for the rotation at 6 Bar. Operating pressure 3.5 bar for creating vacuum.
- Air consumption 95 l / min.
- Plates and counter suction plates in stainless steel. Individual plate isolation by means of slider valve.
- Vacuum gauge in stainless steel with coloured scale. Aluminium reserve vacuum tank. Electric self governing luminous acoustic alarm system with solar panel and charger.



LIFTING CAPACITY	NUMBER OF PADS	PAD SIZE (MM)	MAX. LENGTH (MM)	HEIGHT (MM)	WEIGHT
500kg	4	450x200	2310	870	90kg

CODE
VAM4PN/0500TK

MANZELLI EXENTIAL 3 PN

- Powered with compressed air ejector with aluminum silencer.
- Pressure for the rotation at 6 bar.
- Air consumption 120l/min.
- Welded steel structure.
- Nr. 3 plates and counter suction plates in tropicalized steel.
- Plate connection and disconnection by means of slider valve in nylon locking in the "connect position".
- Vacuum gauge in black metal crate with colored scale in view to facilitate the control of the vacuum's grade in the "connect" position.
- Reserve vacuum tank in tropicalized iron.
- Electric-powered self governing luminous acoustic alarm system completed of battery charger.



CODE
VAM4PN/0500TK

LIFTING CAPACITY	NUMBER OF PADS	PAD SIZE (MM)	MAX. LENGTH (MM)	HEIGHT (MM)	WEIGHT
500kg	4	450x200	2310	870	90kg

HANDLING EQUIPMENT

AARDWOLF BUNDLE RACK POST

Galvanised steel rails 145x125mm with timber battens. 100mm post holes spaced 5mm apart for maximum storage efficiency. Posts made from High Grade steel (AS1163-450LO) for unbeatable strength.

SIZE (MM)	CODE
3000 Rails	HE.ABRRAIL3.0
100x50 x1200	HE.ABRP100/1200
100x50 x1400	HE.ABRP100/1400
100x50 x1600	HE.ABRP100/1600
Cap for 100mm Posts	HE.ABRRC100



AARDWOLF SLAB RACK POST

Galvanised steel rails 140x100mm with timber battens. 50mm post holes spaced 5mm apart for maximum storage efficiency. Posts made from High Grade steel (AS1163-450LO) for unbeatable strength.

SIZE (MM)	CODE
3000 Rails	HE.ASRRAIL3.0
50x50 x1400	HE.ASRP050/1400
50x50 x1600	HE.ASRP050/1600
Cap for 50mm Posts	HE.ASRRC050



AARDWOLF RACK POST BASE FOR SLAB AND BUNDLE RACK POSTS

Steel post base for accurate setting of slab lean. Designed for use with slab and bundle rack posts.

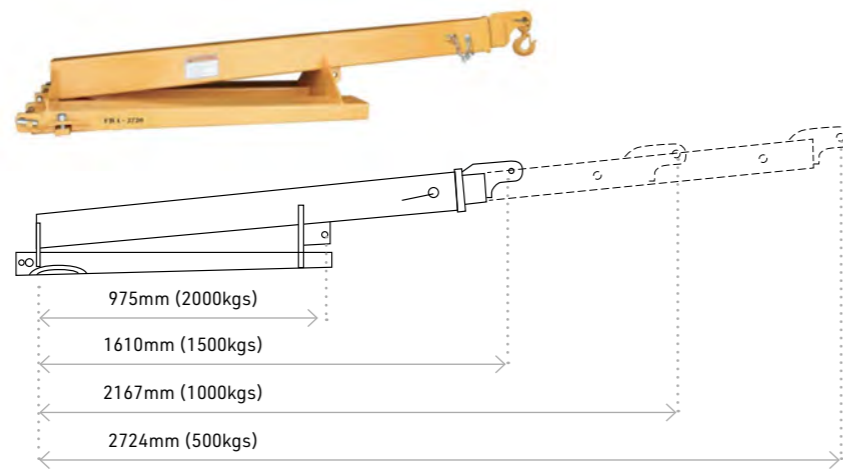
SUITABLE POST SIZE (MM)	CODE
1200-1400	HE.ASPB1214
1600-1800	HE.ASPB1618



AARDWOLF FORKLIFT BOOM FB1/FB2

All Aardwolf forklift jibs are made from high-grade Australian rectangular tube steel (AS1163-450LO), which ensures strength, reliability and safety. The Aardwolf forklift jibs compliment the patented range of Aardwolf lifting clamps.

TYPE	WEIGHT	MAX REACH	CODE
FB1-2720	80kg	2720mm	HE.AFB1
FB2-3580	130kg	3580mm	HE.AFB2



AARDWOLF LIFTING CLAMP WITH WHITE RUBBER

Patented original slab lifting clamp designed by Jim Corbett. White rubber prevents marking on light coloured materials.

CLAMP TYPE	CLAMPING THICKNESS RANGE (MM)	W.L.L (KG)	CODE
Automatic Wide Jaw	0-30	1200	HE.ALC30AWJ
Manual	0 - 50	1200	HE.ALC50W
Automatic	10 - 50	1200	HE.ALC50WA
Manual	15 - 60	1200	HE.ALC60W
Automatic	15 - 60	1200	HE.ALC60WA
Manual	30 - 75	1000	HE.ALC75W



AARDWOLF DEMOUNTABLE FRAME DFF200-1500

Rubber is provided on frame surfaces for maximum protection. Heavy-duty wheels allow easy manoeuvring of your fully loaded cart in the workshop and on the construction site.

SIZE (LXWXH) MM	LOAD CAPACITY	CODE
1640x1129 x1495	1000kg	HE.ADFF200-1500



AARDWOLF TRANSPORT FRAME 1850

Ideal for transporting and storing material within the factory or transporting material to building sites. Frame can be loaded onto truck by forklift or crane.

SIZE (LXW) MM	LOAD CAPACITY	CODE
1850x1279	2500kg	HE.ASTF1850

LOAD HEIGHT	LOAD WIDTH
1644m	295mm



AARDWOLF TRANSPORT FRAME TF2440

Sturdy structure, designed so as to eliminate any risk of slab tipping over. Slabs are placed on special rubber profiles and secured with 8 adjustable locking bars. Eight locking bars per frame mount in slotted holes on the bottom. Frame features 2 hooking points to be picked up by an overhead crane.

SIZE (LXW) MM	LOAD CAPACITY	CODE
2440x1197	1500kg	HE.ATF2440

LOAD HEIGHT	LOAD WIDTH
1385m	320mm



HANDLING EQUIPMENT

AARDWOLF TRUCK TRANSPORT COLLAPSIBLE 'A' FRAME

Unique integrated vertical locking bars and ratchet locking straps designed to hold all material safely and securely. The load is secured independently on each side by two vertical locking bars, which are inserted into brackets at the base of the frame and held by ratchet locking straps at the top.

SIZE (LXW) MM	LOAD CAPACITY	LOAD HEIGHT	CODE
1850x1800	7500kg	2063mm	HE.ATTAF



AARDWOLF STONE BUGGY SINGLE SIDED

The Economy Slab Buggy Single Side is a cost-saving version which is ideal for transporting sheet materials such as stone slabs and glasses within the factory and on building sites. Rubber is topped on the frame for maximum protection. It also features four heavy-duty wheels (two solid wheels and two lockable swivel wheels), allowing easy manoeuvring of fully loaded carts in the workshop and on the construction site.

SIZE (LXHXW) MM	LOAD CAPACITY	CODE
1180x550x1139	600kg	HE.ASB1220S

LOAD HEIGHT	LOAD WIDTH
889mm	204.5mm



AARDWOLF M60 SELF-LOCKING TROLLEY

Large pneumatic wheels make moving loads over rough terrain easy. Grips material automatically and securely. Clamping supports and base are rubber padded.

GRIPPING RANGE	LOAD CAPACITY	CODE
0-60mm	400kg	HE.ATRSLM060

SUPPORT PLATE	2 RUBBER WHEELS
500mm long	275x60mm



AARDWOLF M85 SELF-LOCKING TROLLEY

Automatic clamping feature allows the trolley to move and transport heavy slab materials in a flexible and easy manner. Pneumatic wheels with a high grip meet the demand for transport on every terrain from even to rough.

GRIPPING RANGE	LOAD CAPACITY	CODE
0-85mm	400kg	HE.ATRSLM085

SUPPORT PLATE	2 PNEUMATIC WHEELS
500mm long	400x85mm



AARDWOLF M100 SELF-LOCKING 3-WHEEL TROLLEY

Ideal for moving kitchen tops, stone, glass and other heavy work pieces onto work site. Large pneumatic wheels plus 140mm swivel caster at front that increases stability. Detachable handle.

GRIPPING RANGE	LOAD CAPACITY	CODE
0-100mm	400kg	HE.ATRSLM100

SUPPORT PLATE	2 PNEUMATIC WHEELS
500mm long	400x85mm



AARDWOLF OVERHEAD SWING ARM

Overhead Swing Arm to secure air, water & power lines.

CODE
HE.AOSA4400



AARDWOLF WASTE BIN

Manufactured from 3mm plate. The release mechanism is activated by the forklift operator pulling the draw rope from the drivers seat. The custom built shock absorber prevents impact forces being transmitted to the forklift during emptying. Powder coat paint finish.

SIZE (LXWXH) MM	CAPACITY	CODE
1500x1120x900	1.06m ³	HE.AWB1000W



AARDWOLF SMALL SLAB TROLLEY

Slab carrying trolley with solid rubber wheels 200mm in diameters. Body 400 x 85mm with rubber vulcanised to bottom, sides and top of sides of trolley to avoid chipping edges of finished work piece. Ideal for moving slabs in the shop and on building sites. Bottom, sides & top edges of channel are rubber padded.

SIZE (LXWXH) MM	LOAD CAPACITY	CODE
400x85	300kg	HE.ATRSM

SUPPORT PLATE	2 SOLID WHEELS
400x100mm	4200x50mm



AARDWOLF ZINC PLATED STAND

For Manzelli Liftstyle Vacuum Lifters.

CODE
VAMSTAND



AARDWOLF FLIP TROLLEY

For Manzelli Liftstyle Vacuum Lifters.

CODE
HE.AFT01



AARDWOLF FIBREGLASS ROLL STAND

Suits 10 and 15mm wide rolls.

CODE
HE.FGS



HANDLING EQUIPMENT

AARDWOLF SWIVEL HOOK

Shackles and swivel hooks for use with Aardwolf lifting equipment.

CAPACITY	CODE
1.5 ton	HE.ASH1.5
3 ton	HE.ASH3.0



DIAREX WEDGE SLAB HANDLING WEDGE

Safely separates slabs for positioning of lifting clamp.

CODE
HE.WEDGEE



DIAREX SINGLE-SIDED BUGGY

The Diarex Single Sided buggy allows the transportation of small pieces around the factory with easy thanks to it's light frame, front swivel wheels and handles.

SIZE (LXWXH)	LOAD CAPACITY	CODE
1220x660x1140	360kg	HE.DSB1220S



DIAREX DEMOUNTABLE FRAME DOUBLE SIDED 1500

High quality, double sided Demountable Frame perfect for transporting workpieces. Features 200mm wheel and 1000kg capacity.

SIZE (LXWXH)	LOAD CAPACITY	CODE
1500x971x1347	1000kg	HE.DDFD200-1500



DIAREX TRANSPORT FRAME TF2000

High quality, double sided Transport Frame perfect for transporting workpieces. Features 1419mm load height and 1000kg capacity.

SIZE (LXWXH)	LOAD CAPACITY	CODE
2000x1118x1684	1000kg	HE.DTF2000PC

LOAD HEIGHT	LOAD WIDTH
1419mm	320mm



DIAREX TRANSPORT FRAME 2440

High quality, double sided Transport Frame perfect for transporting workpieces. Features 1419mm load height and 1000kg capacity.

SIZE (LXWXH)	LOAD CAPACITY	CODE
2440x1118x1684	1000kg	HE.DTF2440

LOAD HEIGHT	LOAD WIDTH
1419mm	320mm



DIAREX®

DIAREX MOBILE FABRICATION TABLE

High quality mobile fabrication table that is perfect for workpieces. Features rubber strips, leveling legs, wheels, a 450kg capacity and a 800mm wide table for extra stability.

SIZE (LXWXH)	LOAD CAPACITY	CODE
2006x809x1066	450kg	HE.DFTMOB800



DIAREX MOBILE FABRICATION TABLE HEAVY DUTY

High quality mobile fabrication table that is perfect for workpieces. Features rubber strips, leveling legs, wheels and a high quality construction making it ideal for heavy duty use.

SIZE (LXWXH)	LOAD CAPACITY	CODE
2006x609x1066	450kg	HE.DFTMOBILEHD



DIAREX FABRICATION STAND

High quality fabrication stand that is perfect for workpieces. Features an adjustable height and a 230kg capacity.

ADJUSTABLE HEIGHT	LOAD CAPACITY	CODE
914-1117mm	230kg	HE.DFSTAND





PPE

SECTION 6

POWERED AIR PURIFYING RESPIRATORS	156
REUSABLE RESPIRATORS	162
PERSONAL SAFETY EQUIPMENT	164

Timeless natural beauty

For 40 years, CDK Stone has been sourcing the most beautiful Natural Stone on the planet. Through our extensive travels and unparalleled standards, CDK Stone has continued to discover unique Natural Stones that propel Australian design. Our superb range of Marble, Travertine, Quartzite, Limestone, Granite and other exotic stones showcase individuality and natural beauty.

Learn more about our premier range online or visit one of our stone selection centres across Australia.

Natural Stone: Cosmopolitan Quartzite, Calacatta Viola, Emerald Haze Quartzite, St Croix Marble.
Design: Taylor Pressly, Enoki Design, Mim Design Studio. Photography: Sharyn Cairns, Jenah Piwanski, Peter Clarke.



Discover more at
cdkstone.com.au

POWERED AIR PURIFYING RESPIRATORS

CLEANSPACE ULTRA PAPR

CleanSpace ULTRA is the latest addition to CleanSpace Technology's advanced range of respiratory protection products: designed for industrial use where water tolerance is required (IP65 Rating).

CleanSpace ULTRA is a powered air purifying respirator (PAPR) that offers superior protection against dust and gas airborne hazards. With no hoses or heavy waist-mounted battery packs making it the most comfortable and easiest PAPR in the market.

- Lightweight, compact and comfortable (< 450g / 11lb)
- One power button for simple operation
- AirSensit™ Technology allows mask pressure control and breath responsive airflow, filter and battery life management
- Intelligent Management Filter Technology (IMFT): filter life optimisation and real-time insights
- Mask-release and adjust buttons suitable for gloved hands
- Long run time and short battery recharge time
- Long term storage technology maintains battery charge for 1 year
- IP 65 Rating: Resistant to dust and liquid ingress



- Suitable for decontamination showers and high water use environments
- Compatible with CleanSpace SMART App (available at Google Play and Apple App stores)

PIECES PER BOX 1

CODE
SE.CST1010



- Peak airflow: 230 L/min
- Enhanced acoustics & communication
- AirSensit® technology monitors pressure 100 Hz

- Power Unit 400g (lightest PAPR on market)
- Compact/few Parts: No adaptors, tubes or connectors
- Compatible with half and full face masks
- Particulate and gas filters available



- Buttons designed for gloved hands
- Modern, intuitive operating system
- Durable and robust
- Sustainable: reusable, low carbon and plastic footprint

- Run time: 12 - 14 hours
- Quick charge: under 2 hours
- Battery: lithium ion - safe and light
- Docking stations & car chargers available

CleanSpace®
RESPIRATORS

CLEANSPACE FULL MASK

The CleanSpace Full Face Mask is positive pressure with a silicone outer visor seal and silicone Orinasal Inner Mask for superior respiratory protection. The Orinasal Inner Mask Small comes with every CleanSpace Full Face Mask. The CleanSpace Full Face Mask is compatible with the CleanSpace Ultra units, the full range of filters.

SIZE	CODE
Small	SE.CST1017
Medium/ Large	SE.CST1018



CLEANSPACE HALF MASK

The CleanSpace Half Masks are specifically designed to work to complete the CleanSpace PAPR system. Compatible with all CleanSpace Respirators, the Half Masks clip quickly onto the power units and are easily unclipped for cleaning. The Half Masks are made of soft silicone that readily moulds to the face & doesn't cause allergic dermatitis.

SIZE	CODE
Small	SE.CST1034
Medium	SE.CST1035
Large	SE.CST1036



CLEANSPACE PARTICULATE FILTER HEPA/TM3/P3

The CleanSpace Particulate Filter HEPA/TM3/P3 is suitable for protection against airborne particulates (dust, mists and fumes). Fits Ultra PAPR units.

CODE
SE.CST1004



PIECES PER BOX 3

CLEANSPACE PARTICULATE STANDARD TM3 P3 FILTER

The CleanSpace Particulate Filter TM3 P3 is suitable for protection against airborne particulates (dust, mists and fumes). Fits Ultra PAPR units.

CODE
SE.CST1005



PIECES PER BOX 3

CLEANSPACE ABEK1 P3 P SL R COMBINED FILTER

The CleanSpace Combined Filter P3 ABEK1 P SL R is suitable for protection against airborne particulate (dust, mists and fumes), organic, inorganic gases or vapours, solvents, ammonia and sulphur dioxide (boiling point >65C).

CODE
SE.CST1007



POWERED AIR PURIFYING RESPIRATORS

3M VERSAFLO PAPR FACESHIELD KIT

Kit Contains:

- Kit includes: Versaflo TR-300 Powered Air Respirator Kit with length adjusting breathing tube, Standard Waist belt, pre-filter, P3 Filter, Battery Pack & Charger, Air Flow Calibration Tube
- Versaflo High Impact Faceshield M-106 delivers integrated eye, face and respiratory with optional hearing protection
- Excellent airflow distribution for improved comfort, lower noise and reduced fogging



CODE

SE.TRM-207C

3M VERSAFLO BREATHING TUBE BT-20S

Small lightweight breathing tube that connects the air source with the headtop is required to ensure unrestricted airflow. The breathing tubes offered are compatible with Versaflo Headtops & Air Delivery Units.

CODE

SE.BT-20S



3M VERSAFLO COATED VISOR

Coated visor providing chemical and scratch resistance. Easy to replace visor that suits M-200 Headtop.

CODE

SE.M-927



3M PEEL-OFF VISOR COVER

Protect your 3M Versaflo Headtop visor from scratches or overspray from paints and chemicals with 3M Versaflo Peel-Off Visor Cover. The transparent visor cover is self-adhesive and can be applied and peeled off easily.

CODE

SE.M-928



PIECES PER BOX 40



3M CHIN STRAP FOR VERSAFLO M-300 SERIES

Chin strap that helps hold the Headtop in place on the user. For use with M-Series Headtops.

CODE

SE.M958



3M VERSAFLO PREFILTER

Prefilter for use with the 3M Versaflo. The prefilter can extend the service life of the main filter by capturing large particles that may otherwise clog.

CODE

SE.TR-3600



3M VERSAFLO FILTER PARTICULATE P3

High efficiency P3 particulate filter. The filter can be changed quickly and easily by hand. For use 3M TR-300+ Powered Air Respirator.

CODE

SE.TR-3712E



3M VERSAFLO FILTER PARTICULATE P3 NUISANCE LEVEL, ACID GAS

P3 particulate filter that provides protection against hydrogen fluoride (HF x 10 TLV) as well as offering nuisance-level acid gas performance. The filter can be changed quickly and easily by hand. For use 3M TR-300+ Powered Air Respirator.

CODE

SE.TR-3822E



3M VERSAFLO BACKPACK HARNESS

Backpack harness enables the Versaflo Powered Air Purifying unit to be carried on the user's back rather than on a belt at the waist.

CODE

SE.TRBPK-01



3M EARMUFFS FOR M-SERIES HEADTOPS

Earmuffs for use with 3M M-Series Headtops. Features bright orange colour and an attenuation rating of 25dB.

CODE

SE.H31P3AF



POWERED AIR PURIFYING RESPIRATORS

STS SHIGEMATSU WORKS STS SYNC FULL FACE PAPR KIT

Full face PAPR that is switch-less, cordless and effortless! Designed for use around fine dust, the STS Sync Full Face PAPR offers breath responsive protection so the fan unit and filter are only working when you inhale. The system turns on automatically when you start breathing and turns off 5 seconds after doffing. The unit is cordless with no connectors or hoses. Features a 6 point head harness for a firm and stable fit. The unit also features a speech diaphragm for clear communication and an LED filter indicator. The unit is IP65 rated & can go through decontamination showers.



SIZE	CODE
Medium	SE.05STS003
Large	SE.05STS004

STS SHIGEMATSU WORKS STS SYNC HALF FACE PAPR KIT

Half face PAPR that is switch-less, cordless and effortless! Designed for use around fine dust, the STS Sync Half Face PAPR offers breath responsive protection so the fan unit and filter are only working when you inhale. The system turns on automatically when you start breathing and turns off 5 seconds after doffing. The unit is cordless with no connectors or hoses. Features a 4 point head harness for a firm and stable fit. The unit also features a specially designed silicone facepiece providing comfort and an LED filter indicator. The unit is easy to wear/remove like negative pressure half mask, but offers the high protection as PAPR.



SIZE	CODE
Large	SE.05STS002

STS SHIGEMATSU WORKS STS VP3 PARTICULATE FILTER

P3 particulate filter for STS Sync Powered Air Purifying Respirator. Provides easy breathing and is ideal for filtering fine dust particles.

CODE
SE.05STS031



Natural Stone Safety Data Sheets

CDK Stone is committed to ensuring our industry stays safe. As part of our ongoing efforts to educate and inform the industry, we are encouraging our customers to stay up to date with the latest SDS for each product they use. Recently, CDK Stone has been adding Natural Stone Safety Data Sheets to our list of SDS's to support safer practices and increase product material awareness. We now have Safety Data Sheets for all the Natural Stone slabs we offer. You can access our Natural Stone SDS's at any time at www.cdkstone.com.au/sds

Natural Stone: Super White Dolomite, Taj Mahal Quartzite. Design: Scopeview Projects, Brianna Sandstrom. Photography: Simon Whitbread.



Discover more at
cdkstone.com.au

REUSABLE RESPIRATORS

SUNDSTROM P3 STARTER KIT

Sundstrom reusable P3 respirator kit with storage container.

PIECES PER BOX 1

CODE
SE.819403



SUNDSTROM SR221-1 RESPIRATORY PRE FILTER

Pre-filter for Sundstrom P3 respirator.

PIECES PER BOX 5

CODE
SE.441004



SUNDSTROM SR510 P3 PARTICLE FILTER

P3 particle filter for Sundstrom P3 respirator.

PIECES PER BOX 1

CODE
SE.441005



SUNDSTROM ABE1 SR315 GAS FILTER

Gas filter for Sundstrom P3 respirator.

PIECES PER BOX 1

CODE
SE.441006



SUNDSTROM SR217 A1 GAS FILTER

A1 gas filter for Sundstrom P3 respirator.

PIECES PER BOX 1

CODE
SE.441008



PROCHOICE MAXI MASK 2000 HALF MASK

Blister Pack Twin Filter Half Mask 1 x HMTPM 1 x pair PCA1P2.

PIECES PER BOX 2

	CODE
Blister pack twin pack	SE.HMA1P2
Particulate Pack	SE.HMP2-HP



PROCHOICE A1P2 CARTRIDGES TO SUIT HMTPM

For gas/vapour and combination of particulate/gas/vapour cartridge.

PIECES PER BOX 2

CODE
SE.PCA1P2



PROCHOICE ABEK1 CARTRIDGES FOR HMTPM

For organic vapour, acid gas sulphur and ammonia.

PIECES PER BOX 2

CODE
SE.PCABEK1



PROCHOICE P2 PRE FILTERS

P2 prefilters to suit HMTPM.

PIECES PER BOX 20

CODE
SE.PCFFP2



3M ASBESTOS/DUST RESPIRATOR KIT 7535 P2/P3

Convenient respiratory kit designed for asbestos removal and environments containing dust. The kit contains a 3M Half Face Respirator 7500 Series, two pairs of 3M Particulate Filters 6035 P2/P3*, two pairs of 3M SecureFit 200 Series Safety Glasses, AS/NZS1337.1 Medium Impact, four 3M Respirator Cleaning Wipes 504, one 3M No-Touch Foam Earplugs P2000, Class 4 (SLC80: 25dB) and one handy storage container.

CODE
SE.7535M



3M P2/P3 PARTICULATE FILTER WHITE

P2/P3 particulate filter for use on 3M 6000/7000 series respirators.

PIECES PER BOX 2

CODE
SE.6035



PERSONAL SAFETY EQUIPMENT

DURABLE FULL LENGTH PVC APRON

PVC Aprons are blood, oil and fat-resistant to protect your clothes from damage while you're working. It has a durable PVC construction to withstand every day use.

COLOUR	CODE
Black	SE.AF1BK
White	SE.AF1W
Blue	SE.AF1B



ARAX WET GRIP GLOVES

Delivering dexterity, durability and grip the Arax Wet Grip offers the highest level of Cut, Abrasion and Tear resistance.

SIZE	CODE
10	SE.AND10
9	SE.AND9



ALPHA WATERPROOF APRON SLEEVELESS

Premium quality waterproof stonemasons apron in hi-vis yellow. Protects from water, dust & chemicals. Dual adjustable clips for a perfect fit. Sleeveless with wide straps for comfort.

SIZE	CODE
One size fits all	SE.APRON2000



ALPHA WATERPROOF APRON LONG SLEEVE

Premium quality waterproof stonemasons apron in hi-vis yellow. Protects from water, dust & chemicals. Dual adjustable clips for a perfect fit. Long-sleeved with rubber cuffs.

SIZE	CODE
Large	SE.APRON2LSR
Small	SE.APRON2LSS



PROCHOICE ADDER EARMUFF

Hearing protection for noise levels to 116dB(A). Optional acc BG-NH visor Class 5, SLC80 32db.

CODE
SE.EMADD



PROCHOICE COBRA EARMUFF

Hearing protection for noise levels to 110dB(A). Class 5, SLC(80)28dB

CODE
SE.EMCOB



PROCHOICE PYTHON EARMUFF

Hearing protection for noise levels to 116dB(A). Class 5, SLC(80)31dB

CODE
SE.EMPYT



PROCHOICE PROBAND HEADBAND EARPLUG

Proband Fixed Headband Earplugs is the highest level of hearing protection for a headband earplug. Ideal when moving in and out of high noise areas, fits comfortably around the neck when not in use.

CODE
SE.HBEPA



LATEX DISPOSABLE GLOVES

High quality powdered, latex rubber for excellent sensitivity and dexterity.

PIECES PER BOX	100
----------------	-----

SIZE	CODE
Large	SE.LATEXMDLL
Medium	SE.LATEXMDLM



POWDER FREE NITRILE GLOVE

High quality powder free, latex free nitrile gloves for heavy duty use.

PIECES PER BOX	100
----------------	-----

COLOUR	CODE
Black	SE.MDNPFHDL



POLYOLEFIN PROTECTIVE OVER SLEEVE

PVC protective sleeve. Sold in pairs.

PIECES PER BOX	2
----------------	---

COLOUR	CODE
Blue	SE.PVCSLEEVE



3M 504 RESPIRATOR CLEANING WIPES

Moist towelettes clean dirt and perspiration off facepiece respirators. Individually packaged and sealed to ensure uncompromised sanitary quality. Disposable, one-time-use for convenience.

PIECES PER BOX	100
----------------	-----

CODE
SE.3M504



PERSONAL SAFETY EQUIPMENT

3M SOLUS SAFETY GLASSES CLEAR

Scotchgard anti-fog clear safety glasses.

COLOUR	CODE
Clear	SE.S1201SGAF-AS



3M SOLUS SAFETY GLASSES GREY

Scotchgard anti-fog tinted safety glasses.

COLOUR	CODE
Grey	SE.S1202SGAF-AS



3M SECURE FIT 400 SAFETY GLASSES CLEAR

Clear safety glasses with anti-fog lens.

COLOUR	CODE
Clear	SE.SF401AF-AS



TOOLS

SECTION 7

TILE TOOLS	168
POWER TOOLS	170
PNEUMATIC TOOLS	172
PORTABLE MACHINERY	174

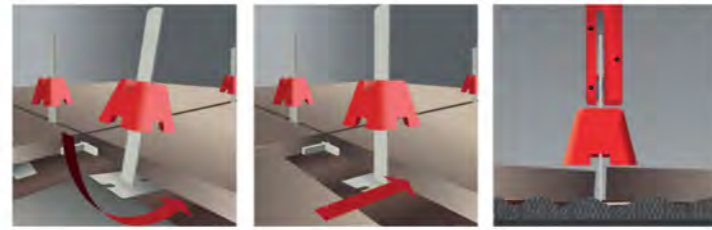
TILE TOOLS



TUSCAN LEVELLING SYSTEM

Straps are made from a propriety blend nylon which allows elasticity to provide a better finish 1mm thickness allows thinner grout line.

- Perforated to break in the right place every time.
- Flat base straps require less glue and provide greater adhesion.
- Caps designed for durability and longer life (can be used dozens of times).
- Special locking system with hand-sharpened stainless steel tongue prevents any slippage.
- The system is easy to learn and use, at any skill level.
- Makes installation twice as fast, and more profitable.
- Reduces installer fatigue and stress.
- Drastically reduces the need for grinding.
- For use with tiles 300mm or larger.



Position strap and cap Lay the tile Attach setting tool



Tension until level Wait for glue to dry Remove strap and cap

PRODUCT	PIECES PER BOX	CODE
Cap	250	TLSC0250
Strap	200	TLSS0200
Strap	1000	TLSS1000
Ungauged Strap	1000	TLSU1000
Ergonomic setting tool	1	TLSSTEP



TUSCAN SEAM CLIP

The Tuscan SeamClip™ is the world's first one-piece joint levelling system.

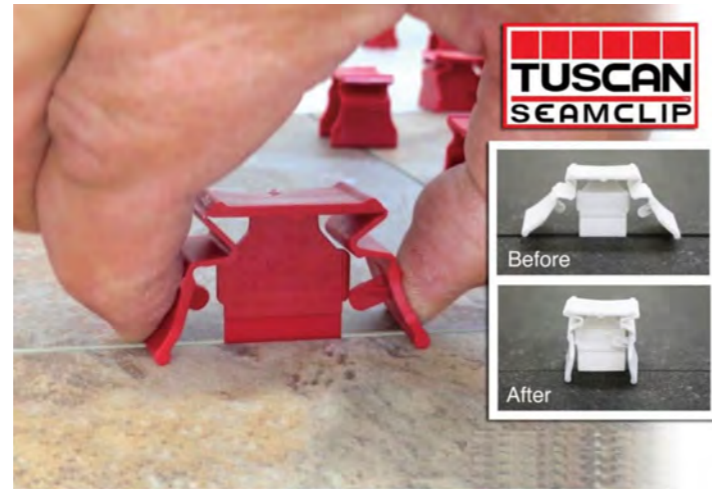
Tuscan SeamClip will greatly assist in the installation of Porcelain, Stone, Ceramic, Marble, Granite and large format tiles from 3mm to 13mm in thickness.

Tuscan SeamClip™ | WHITE For use on calibrated large format thin ceramic tiles. 3mm - 6.5mm thickness. Produces a 0.5mm grout.

Tuscan SeamClip™ | BLUE For use on calibrated large format thin ceramic tiles. 6.5mm - 9.5mm thickness. Produces a 0.5mm grout.

Tuscan SeamClip™ | RED For use on calibrated floor and wall tiles. 9.5mm - 13mm thickness. Produces a 0.5mm grout.

Tuscan SeamClip™ | ORANGE For use on calibrated floor and wall tiles. 9.5mm - 13mm thickness. Produces a 1.59mm grout.



COLOUR	PIECES PER BOX	CODE
Blue	150	TSCB0150
Blue	500	TSCB0500
Orange	150	TSCO0150
Orange	500	TSCO0500
Red	150	TSCR0150
Red	500	TSCR0500
White	150	TSCW0150

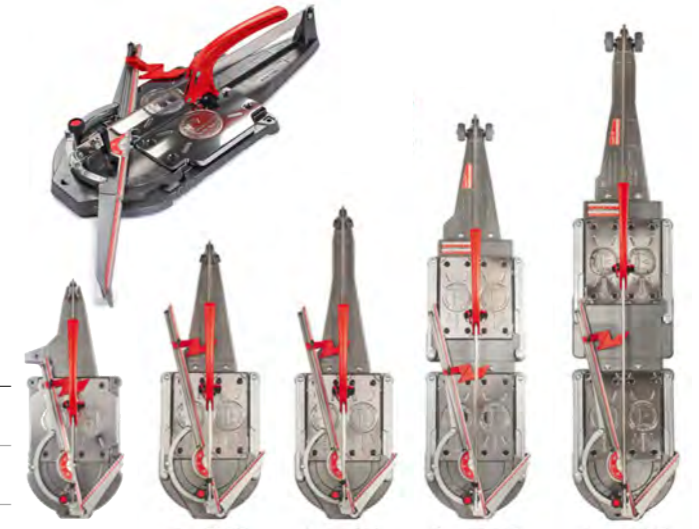


MONTOLIT

MONTOLIT MASTERPIUMA P5 TILE CUTTER

This range of super-professional manual tile cutter can cut all types of tile, with thickness of 0-22 mm, quickly and accurately. Thanks to the oversized goniometric square that can rotate both to the right & left 45 degrees, even diagonal cutting is safe and simple.

SIZE	CODE	CONSUMABLES	CODE
63cm	63P5	Replacement Wheel	MON245
75cm	75P5		
93cm	93P5	Replacement Titanium Wheel	MON245T
131cm	131P5		
161cm	161P5	Oil Dispenser 5 Pack	515-5



MONTOLIT CRAB NIBBLER 33W

CODE
33W

For making classic and artistic mosaics, small finishing touches, angles, special shapes and breaking tiles into small pieces.



MONTOLIT FLASH LINE 3 CUTTING SYSTEM

CODE
FL3

"No Limits" extendable system with rails. Features a patented non-slip system without suction cups. Also features a quick elastic connection and a 3WD rotation - Titanium wheels selection system.



MONTOLIT MOTO FLASH LINE 2 CUTTING SYSTEM

CODE
MFL2-PU

Motorized cutting system that works with the Flash Line cutting system. Features on tool dust extraction.



MONTOLIT SUPERLIFT

CODE
300-70SL-MOB

A multipurpose frame for handling large format slabs and tiles. The Superlift is made from high quality materials and features four vacuum pods that can be reconfigured to suit the material size.



MONTOLIT WORK TABLE

CODE
300-20

A multipurpose, modular work table for large format tiles and slabs. The table is fully adjustable table that can be disassembled for easy transport. 1150mm x 1800mm with a max load of 180kg.



POWER TOOLS

FLEX

FLEX BHW 1549 VR

Blind hole drill with integrated water feed with GFCI circuit breaker.

MAX. DRILL DIAMETER	SPEED WITHOUT LOAD	POWER INPUT	POWER OUTPUT	TOOL FIXTURE	WEIGHT	CODE
16mm	3500-10000rpm	1200 watt	700 watt	M14	3.3kg	BHW1549VR



FLEX CS60 WET CIRCULAR SAW

Diamond masonry wet saw with GFCI.

DIAMOND BLADE	BLADE BORE	MAX. CUTTING DEPTH	SPEED WITHOUT LOAD	POWER INPUT	POWER OUTPUT	CODE
170mm	170mm	0-54, 0-44mm	6200 rpm	1400 watt	840 watt	CS60



ACCESSORIES	CODE
Coupling Sleeve	V487.171
800mm Guide Rail	V353.280
1600mm Guide Rail	V359.351

FLEX L 12-3 100 WET POLISHER

Lightweight & powerful wet polisher with GFCI.

MAX. DISC	SPEED WITHOUT LOAD	POWER INPUT	POWER OUTPUT	TOOL FIXTURE	WEIGHT	CODE
115mm	3700 rpm	1150 watt	700 watt	M14	2.4kg	LE12-3100WET



FLEX LW 1202 SN WET POLISHER

1600 watt wet stone polisher with central water supply and GFCI circuit breaker.

MAX. DISC	SPEED WITHOUT LOAD	POWER INPUT	POWER OUTPUT	TOOL FIXTURE	WEIGHT	CODE
130mm	1750rpm	1600 watt	1030 watt	M14	4.8kg	LW1202SN



FLEX CE 44 H AC VACUUM CLEANER

42ltr, class H safety vacuum cleaner with automatic filter cleaning system.

VACUUM CLEANER FLOW RATE	FILTER SURFACE AREA	TANK CAPACITY	LIQUID CAPACITY	POWER INPUT	WEIGHT	CODE
4500 l/m	5000 cm ²	42L	26L	1200 watt	17.6kg	VCE44HAC



GALESKI

GALESKI ECOMAX VARIO

Light and compact wet grinder. One handed cut-off saw especially for thin ceramic or natural stone slabs. The 125mm version now features a brushless motor for increased productivity.

MAX CUTTING DEPTH	MAX DISC DIAMETER	SPINDLE SPEED	SPINDLE THREAD	CODE
25mm	125mm	1900-9500rpm	22.2, M14	ECOMAX125VARIOBL
58mm	180mm	1700-6800rpm	22.2, M14	ECOMAX180VARIO
63mm	230mm	6600rpm	22.2, M14	ECOMAX230VARIO



PNEUMATIC TOOLS

ALPHA AIR-834 WET POLISHER

Silicon gear head cover provides cushion and keeps hands warm. Newly developed motor produces more power. 4000rpm gear set for quality results.

MAX DISC DIAMETER	SPINDLE SPEED	SPINDLE THREAD	AIR PRESSURE	CODE
130mm	4000rpm	M14	85psi	AIR-834

*Refurbished options available



ALPHA AIR-854 WET POLISHER

Silicon gear head cover provides cushion and keeps hands warm. Newly developed motor produces more power. 5500rpm gear set for best productivity. New splash guard.

MAX DISC DIAMETER	SPINDLE SPEED	SPINDLE THREAD	AIR PRESSURE	CODE
130mm	5500rpm	M14	85psi	AIR-854

*Refurbished options available



SHINANO 2322 WR-E WET SANDER POLISHER

Wet polisher for use with 75mm and 100mm polishing pads only.

MAX DISC DIAMETER	SPINDLE SPEED	SPINDLE THREAD	AIR PRESSURE	CODE
100mm	5000rpm	M14	90psi	SI.2322WR-E



DIAREX PST WET POLISHER

Wet polisher for use with 100mm polishing pads and 100mm stones.

MAX DISC DIAMETER	SPINDLE SPEED	SPINDLE THREAD	AIR PRESSURE	CODE
100mm	5000rpm	M14	90psi	DRXPST



WET AIR POLISHER GPW-218

Low vibrate and noise with excellent performance.

MAX DISC DIAMETER	SPINDLE SPEED	SPINDLE THREAD	AIR PRESSURE	CODE
100mm	4500rpm	M14	90psi	GPW218



SANWA KENMA PA-5 WET POLISHER SANDER

Wet polisher for use with 75mm & 100mm polishing pads only.

MAX DISC DIAMETER	SPINDLE SPEED	SPINDLE THREAD	AIR PRESSURE	CODE
100mm	5000rpm	M14	90psi	SKPA-5



ALPHA PSC-600 WET CUTTER

Composite end case to prevent freezing. Newly developed motor produces more power. Lightweight for better maneuverability.

MAX DISC DIAMETER	SPINDLE SPEED	SPINDLE THREAD	AIR PRESSURE	CODE
150mm	8500rpm	22.2	85psi	PSC-600



ALLIANCE AL-1355W SUPER TORQUE GRINDER

Adjustable Swivel Guard. With spindle lock and rear exhaust. Includes 250ml Air tool oil.

MAX DISC DIAMETER	SPINDLE SPEED	SPINDLE THREAD	AIR PRESSURE	CODE
125mm	7600rpm	M14	85psi	AL-1355W



SHINANO 2515 L14W WET ANGLE GRINDER 125MM

Heavy duty 5" wet angle grinder for grinding and polishing stone and masonry using rubber back-up pad and special abrasives. Features spindle lock button and safety lever throttle.

MAX DISC DIAMETER	SPINDLE SPEED	SPINDLE THREAD	AIR PRESSURE	CODE
125mm	2000rpm	M14	90psi	SI.2515L14W



NPK NAG-70A AIR ANGLE GRINDER

180mm Air angle grinder with roll throttle and built-in air regulator.

SPINDLE SPEED	SPINDLE THREAD	AIR PRESSURE	CODE
7600rpm	M14	85psi	NAG-70A



PORTABLE MACHINERY

MANTA

MANTA ALUMINIUM PORTABLE SAW

Robust & accurate portable saw featuring linear bearings on chrome plated bars, 45° bridge tilt, intergrated water tank with recirculation pump & folding legs.

MAX DISC DIAMETER	MAX CUTTING THICKNESS	SPINDLE SPEED	MOTOR	CUTTING LENGTH	CODE
350mm	110mm	2800rpm	2.2kw, 230V	1000mm	MANTA100A
350mm	110mm	2800rpm	2.2kw, 230V	1200mm	MANTA120A



MANTA ACCESSORIES

ACCESSORIES	CODE
Side extension plate	MANTAEXT
Side extension with rollers	MANTAROLL



SIDE EXTENSION PLATE
Flat steel top with single leg.



SIDE EXTENSION WITH ROLLERS
Portable Saws with single leg.



STEEL & TUNGSTEN CARBIDE TOOLS FOR SHAPING & LETTERING NATURAL STONE



The REXID range of steel and tungsten carbide tools are specifically designed for shaping and lettering of both hard and soft natural stones. The REXID range includes precision chisels, pitchers, lettering tools, punches and hammers that are suitable for lettering, edging, shaping and finishing natural stones.

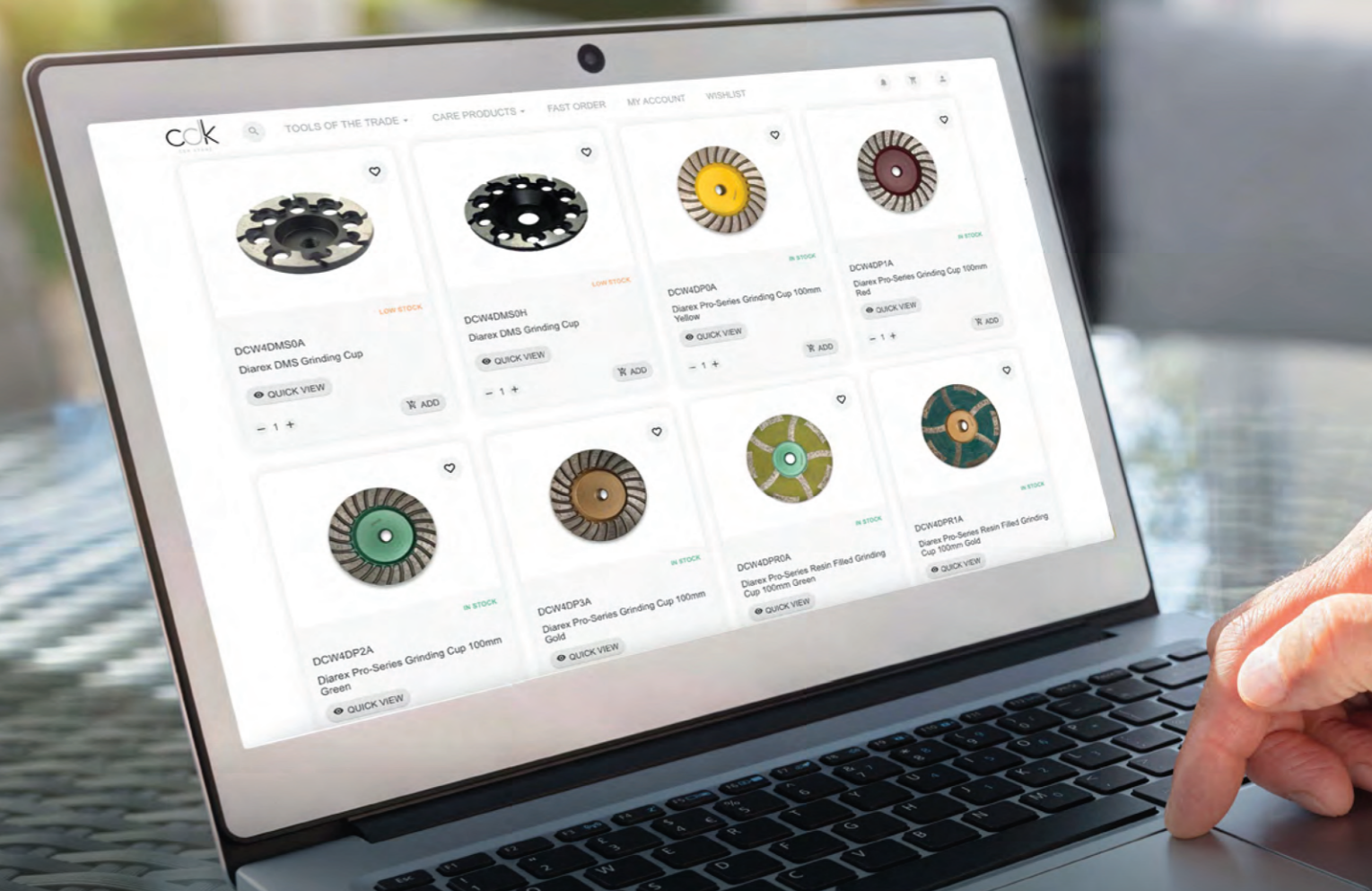
The comprehensive range of specialised tools includes hand tools, pneumatic tools, steel

tools and drills that cover a range of material types. Each tool is available in a large range of options to best suit the project, as well as, the material you are processing.

Hand-made in Germany, the REXID range combines the highest quality materials with precision engineering to produce an exceptional range of specialised tools.

**CONTACT YOUR CDK STONE SALES REPRESENTATIVE TODAY
FOR MORE INFORMATION ON THE REXID RANGE!**

NOTES



SHOP TOOLS + EQUIPMENT ONLINE

The CDK Stone Online Store will support your business with greater access to our product range.

CDK Stone sources the highest quality equipment to make your job efficient and effective. You can now shop our comprehensive range of high-quality, value-for-money tools & products easily online via our customer only online portal.

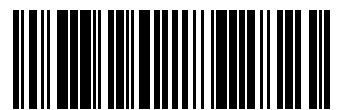
Technical knowledge, guidance and support will still be provided by your dedicated CDK Stone Sales Representative to help you optimise your productivity and profitability.



Discover more at
cdkstone.com.au

cdk

CDK STONE



9360448000095

W www.cdkstone.com.au E info@cdkstone.com.au f @ cdkstone

ABN 52104900647

Melbourne

1 Friegher Road
Moorabbin VIC 3189
03 8552 6000

Sydney

20 Yulong Close
Moorebank NSW 2170
02 9822 5155

Gold Coast

26 Wrights Place
Arundel QLD 4214
07 5537 3222

Adelaide

22 Richard Street
Hindmarsh SA 5007
08 8340 2877

Perth

231 Camboon Road
Malaga WA 6090
08 6240 2200